

FEATURES

- Contact load capacity up to 80A
- 1A, 1C and 1U contact arrangements
- Plug-in or PCB terminals
- Optional mounting bracket

CONTACT DATA

Contact form	1A, 1C, 1U
Contact resistance	50mΩ
Contact rating	1A: 80A/14VDC 1C(NO): 80A/14VDC (NC): 60A/14VDC 1U: 2x25A/14VDC
Max. switching current	80A(NO), 60A(NC)
Max. carrying current	80A(NO), 60A(NC)
Max. switching voltage	75VDC
Max. switching power	980W
Contact material	AgSnO ₂ , AgNi

CHARACTERISTICS

Insulation resistance	100MΩ at 500VDC
Dielectric strength	500VAC, 1min. between coil and contacts 500VAC, 1 min. between open contacts
Operate time	7 ms
Release time	5 ms
Vibration resistance	10 – 40Hz, 1.5mm
Shock resistance	Functional:140m/s ² ;Destructive:200m/s ²
Humidity	40 °C, 98%
Temperature rise	Max. 75 °C (at 20 °C)
Ambient temperature	- 40 °C to + 85 °C
Life expectancy	
- Electrical	1 x 10 ⁵ operations
- Mechanical	1 x 10 ⁷ operations

COIL SPECIFICATIONS

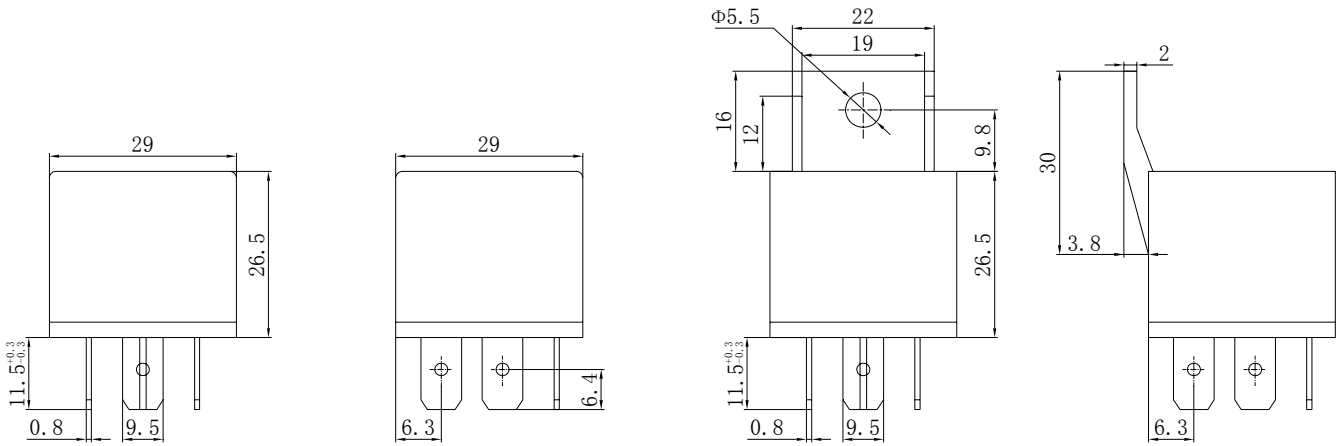
Nominal voltage (VDC)	Pick-up voltage (VDC)	Drop-out voltage (VDC)	Allowable overdrive (VDC)	Coil resistance (Ω±10%)	Power consumption(W)
6	3.9	0.6	7.8	20	1.8
12	7.8	1.2	15.6	80	1.8
24	15.6	2.4	31.2	320	1.8

ORDERING INFORMATION

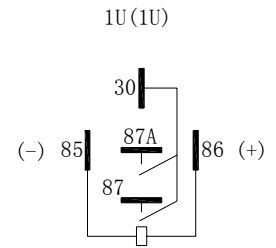
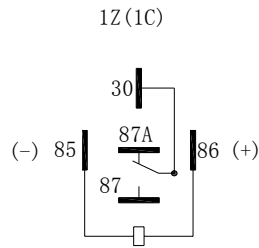
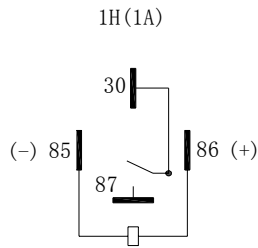
MEV4 - 012 1H 1 P D

Model No.	Coil Voltage	Contact Form	Version	Contact Rating	Diode
MEV4	6VDC – 24VDC	1H: 1A 1Z: 1C 1U: 1U	1: QC Terminal 2: PC Terminal 3: Plastic shrouded +PC Terminal 4: Plastic shrouded +QC Terminal 5: Metal shrouded +PC Terminal 6: Metal shrouded +QC Terminal	P: 80A/60A	Nil: Standard D : Diode inside

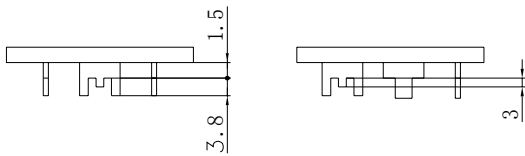
Dimensions(unit:mm)



Wiring Diagrams



PCB TERMINAL



BOTTOM VIEW

