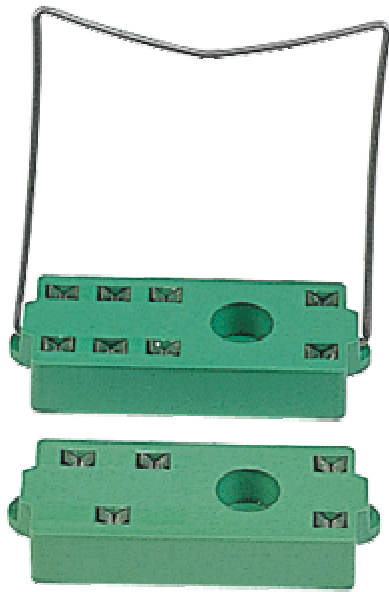
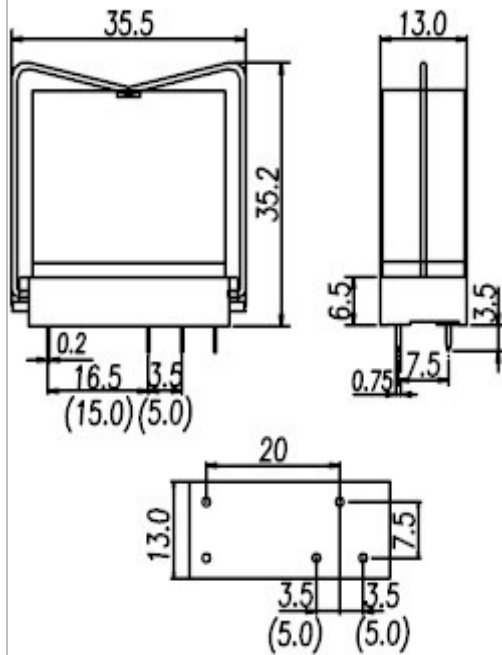


**Dinkle Interface Modules - Miniature Relay Module Series /
RYP5-08,05**



RYP5-08,05 [8P]



Specification/Accessory Explanation

Type	L	W	H
RYP5-08,05	91	7	56
Coil			
CO			1
NO			1
Rated Current			24V
Rated Voltage			5A
Max. Breaking Voltage			250VAC
Contact Material			Ag Cdo

Accessory Name	Accessory Type
Suitable wire	28-12AWG