

## Amplifiers with variable Return-path

### 4 Return-path modules

Aktive: VMR 12, VMR 24  
Passive: VMR 0

### 2 Variable attenuator

### 3 Equalizer modules

Fixed equalizer: VM ...  
Variable equalizer: VM ... R ...  
AGC module: VMC 05

### 1 Return-path filter

for 30 / 55 / 65 MHz  
VMF ...

### 7 Modules for line-out port

Splitter: VMV 4  
Tap: VMA ...

### Input test socket

### Remote power

4 plug-in security to determine  
the power passing ports

### 5 Interstage modules

Variable attenuator: VMD ...  
Fixed equalizer: VM ...  
Variable equalizer: VM ... R ...  
AGC module VMC 05

### 8 Return-path equalizer

Fixed equalizer: VMR ...  
Variable equalizer: VMR ... R ...

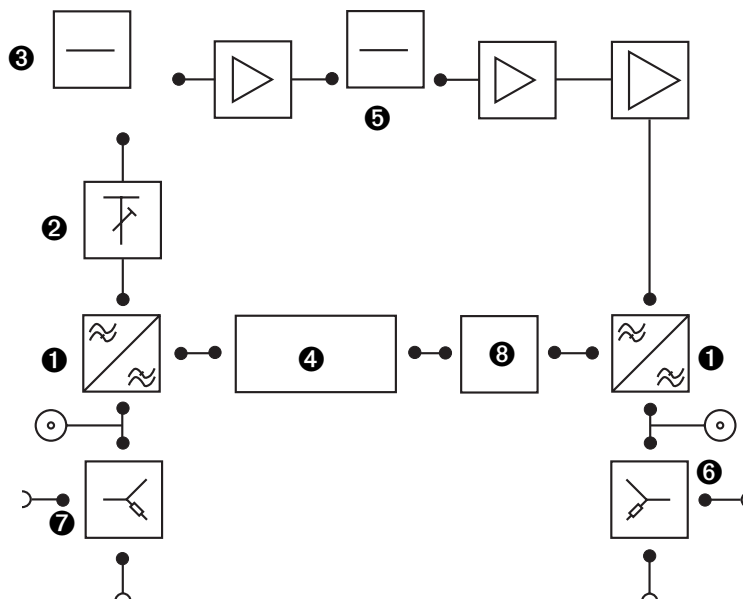
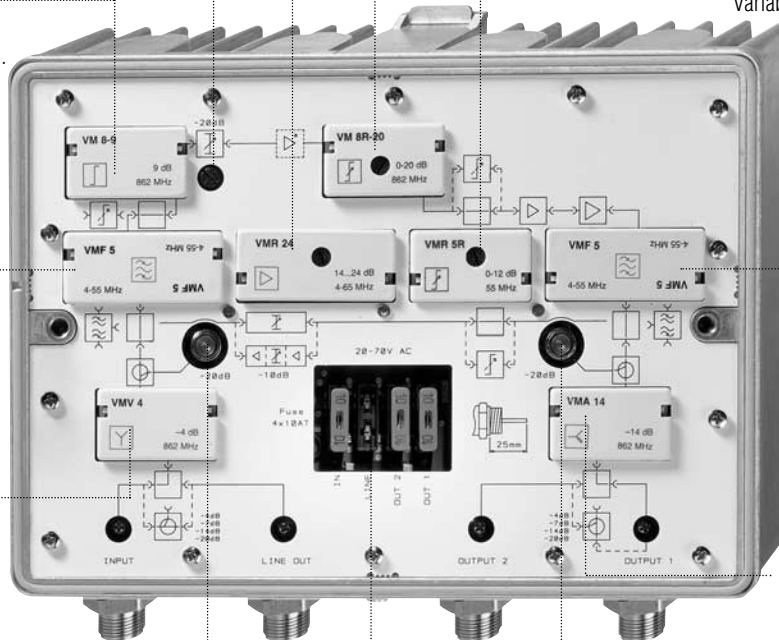
### 1 Return-path filter

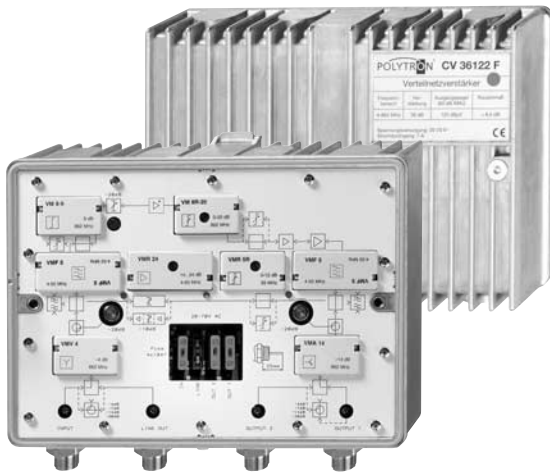
for 30 / 55 / 65 MHz  
VMF ...

### 6 Output modules 1 and 2

Splitter: VMV 4  
Tap: VMA ...  
Test port: VMM 20

### Output test socket





## CV Trunk-line distribution network amplifiers

- Active or passive return path up to 30, 55 or 65 MHz configurable
- CV ... 126 in GaAs technology
- Interstage module slot
- Test sockets at input and output for measurements without interruption of operation
- 2nd output can be configured to tap-off or distribution output
- Transit current separately configurable for inputs and outputs via fuses
- Connections: PG11'
- Safety class IP 66

■ **With AGC-Module VMC 05, application as AGC-Amplifier possible (look page A 14)**

Type	CV 25122 ...			CV 36122 ...			CV 30126 ...			CV 40126 ...		
	4 - 30 MHz		47 - 862 MHz	4 - 30 MHz		47 - 862 MHz	4 - 30 MHz		47 - 862 MHz	4 - 30 MHz		47 - 862 MHz
Frequency range	4 - 30 MHz		47 - 862 MHz	4 - 30 MHz		47 - 862 MHz	4 - 30 MHz		47 - 862 MHz	4 - 30 MHz		47 - 862 MHz
Gain	14 - 24 dB		25 dB	14 - 24 dB		36 dB	14 - 24 dB		31 dB	14 - 24 dB		41 dB
Flatness	± 0,5 dB											
Variable attenuator	-10 dB		-20 dB	-10 dB		-20 dB	-10 dB		-20 dB	-10 dB		-20 dB
Noise figure	≤ 6 dB		≤ 7,5 dB	≤ 6 dB		≤ 6,5 dB	≤ 6 dB		≤ 7,5 dB	≤ 6 dB		≤ 6,5 dB
Equalization / plug-in place	1		2	1		2	1		2	1		2
Output level dBμV   MHz	<b>450</b>	<b>606</b>	<b>862</b>	<b>450</b>	<b>606</b>	<b>862</b>	<b>450</b>	<b>606</b>	<b>862</b>	<b>450</b>	<b>606</b>	<b>862</b>
60 dB IMR <sub>3</sub> (DIN 45004B)	124	123	122	124	123	122	128	128	126	128	128	126
60 dB IMR <sub>2</sub> (DIN 45004A1)	117	117	115	117	117	115	119	119	118	119	119	118
60 dB CTBA	112	109	107	112	109	107	117	114	112	117	114	112
60 dB CSO	112	119	107	112	109	107	118	115	113	118	115	113
Return loss	20 dB - 40 MHz (-1,5 dB / Octave)											
Final stage	Power Doubling						GaAs-FET					
Power supply type	<b>N</b>		<b>F</b>	<b>N</b>		<b>F</b>	<b>N</b>		<b>F</b>	<b>N</b>		<b>F</b>
Operating voltage	180 - 255 V~		24 - 70 V~	180 - 255 V~		24 - 70 V~	180 - 255 V~		24 - 70 V~	180 - 255 V~		24 - 70 V~
Power consumption	13 W		13-14 W	13 W		13-14 W	13 W		13-14 W	13 W		13-14 W
Transit current	7 A											
Dimensions (W x H x D) mm	(IP 66) 242 x 163 x 90 mm											
Article no.	1428010	1438010	1428210	1438210	1428410	1438410	1428610	1438610	1428810	1438810	1429010	1439010