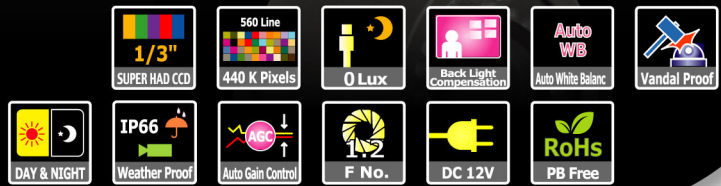


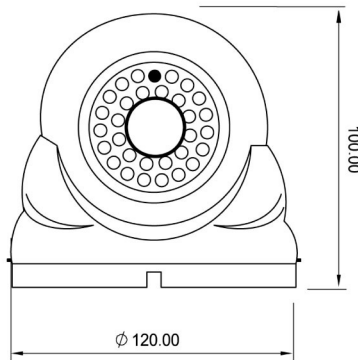


FTC2202G/F2.8-12 High Resolution 30-IR Vandal Proof Color Day/Night Dome Camera

- Sony 1/3" Super HAD Color CCD
- High Resolution 560 TV Lines
- Ultra Low Light Sensitivity
- IP66 Weather Proof / Vandal Proof
- f2.8~12mm/F1.2 Manual VF Lens
- 30 IR LEDs Coverage 30 Meters



DIMENSIONS



SPECIFICATIONS

Model	FTC2202G/F2.8-12	
Signal System	NTSC	PAL
Image Device	Sony 1/3" Super HAD Color CCD	
Effective Pixels	768(H)x494(V) 380K Pixels	752(H)x582(V) 440K Pixels
Scanning System	2:1 Interlace	
Sync System	Internal Synchronization	
Horizontal Resolution	More than 560 TV Lines	
Video Output	1.0V p-p 75ohm LOAD	
S/N Ratio	More than 48dB (AGC OFF / F1.2)	
Gamma Characteristic	r=0.45	
BLC	Back Light Compensation ON	
White Balance	AUTO White Balance (AWB MODE)	
Minimum Illumination	0.1 Lux (F1.2) / 0 Lux, IR-On (30 Meters)	
Electronic Shutter	1/60 ~ 1/100,000 sec	1/50 ~ 1/100,000 sec
Lens	f2.8~12mm/F1.2 Manual Vari-Focal Lens	
Power Consumption	DC12V± 10%, Less than 110mA / LED ON 500mA	
Operating Temperature	-10°C ~ +50°C, RH95% Max	
Dimension	120(Φ) x 100(H)mm	
Cable	1M Cable BNC and DC Jack	

Designs and Specifications are subject to change without notice.

華輝無線電行有限公司 Welfare Electronic Component Ltd.

中港澳總代理

寫字樓 Office:

香港九龍深水埗長沙灣道199號長樂大廈1樓
1/F Cheong Lok Bldg, 199 Cheung Sha Wan Rd, Sham Shui Po, Kln, HK
Tel : (852) 3182 0820 Fax : (852) 3182 0808
E-mail : cs@wecl.com.hk Hotline : (852) 3182 0888
辦公時間：星期一至五 上午9:00 至 晚上6:00
星期六 上午9:00 至 下午1:00

門市部 Retail:

香港九龍深水埗鴨寮街201號明珠樓地下及一樓全層
G/F & 1/F, Ming Chu Bldg, 201 Apliu St, Sham Shui Po, Kln, HK
Tel : (852) 3182 0688 Fax : (852) 3182 0600
E-mail : cs@wecl.com.hk Hotline : (852) 3182 0888
營業時間：星期一至六 上午10:30 至 晚上8:30
星期日 下午12:30 至 晚上8:00

☎ 客戶服務熱線:

(852) 3182 0888



WECLOnline.com
YOUR ELECTRONIC MEGASTORE

