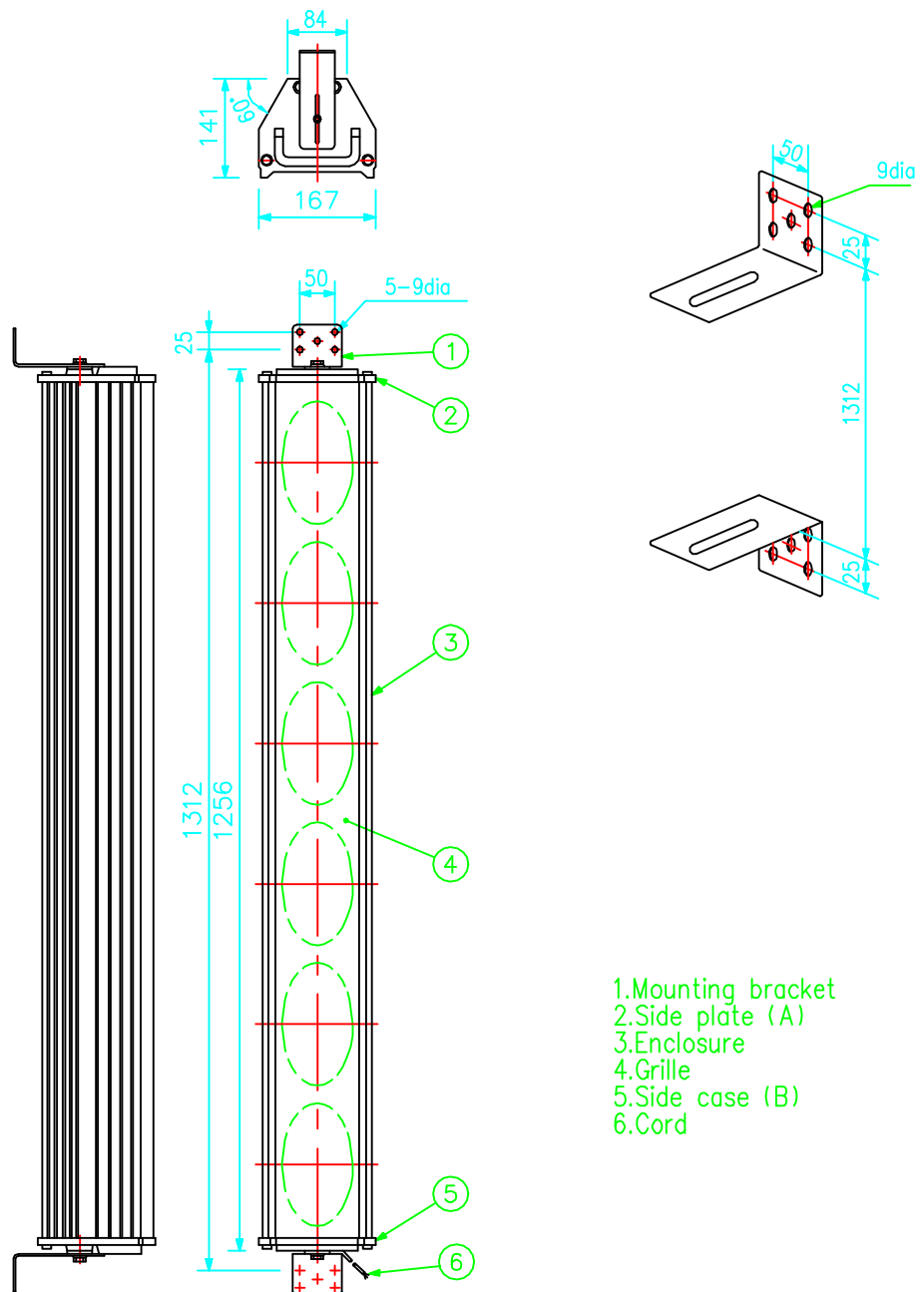


■ SPECIFICATIONS

Type	Metal cabinet for outdoor and indoor use
Input	Rated 30W
Impedance	330 ohms(30W), 670 ohms(15W),
Frequency response	160 ~ 10,000Hz
Sound pressure level	100dB (1W,1m)
Coverage angle	Horizontal : 180° Vertical : 30°
Speakers component	12.7 × 17.8 cm oval type dynamic cone-type speaker × 6pcs
Weight	12.9kg
Finish	Enclosure : Extruded aluminum, Silver gray Grille : Punched net, black

■ APPEARANCE



- 1.Mounting bracket
- 2.Side plate (A)
- 3.Enclosure
- 4.Grille
- 5.Side case (B)
- 6.Cord

UNIT:mm SCALE: 1/11