

DESCRIPTION

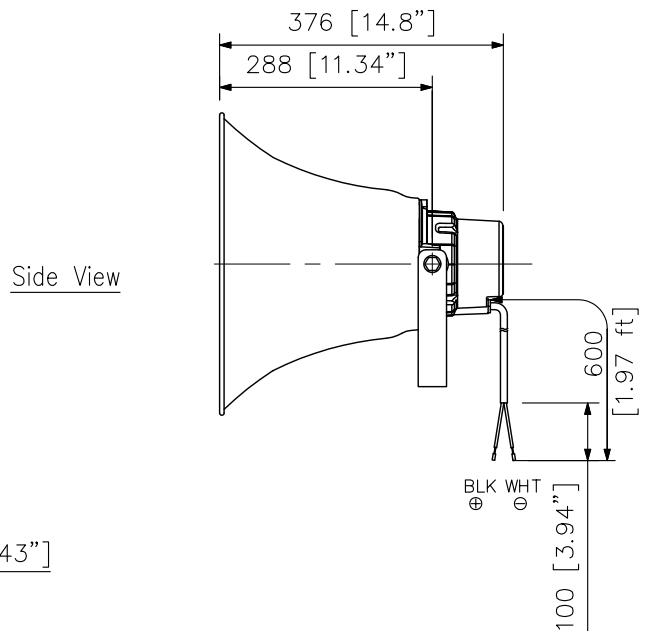
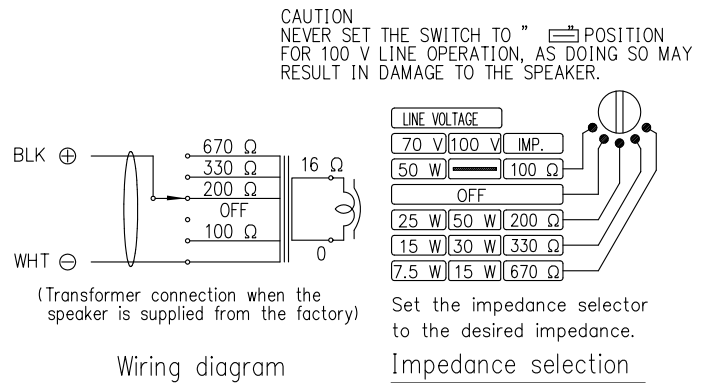
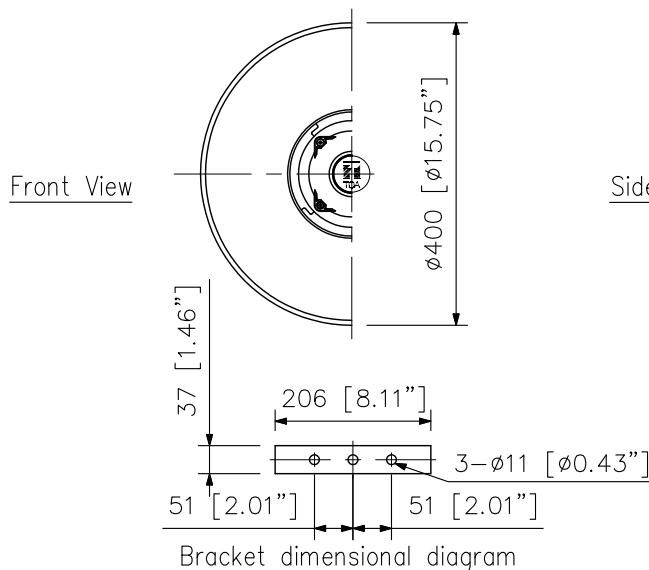
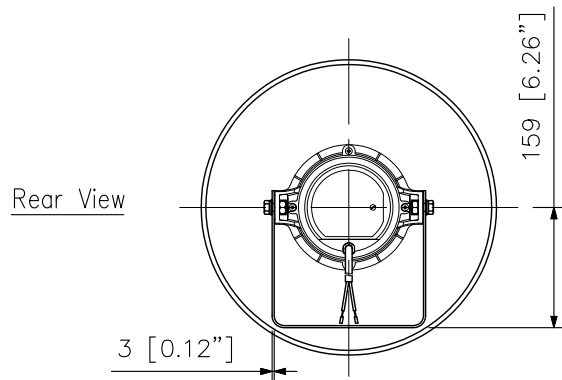
The TC-651M is a highly intelligible, general-purpose speaker suited to public address announcement applications. Its external speaker component finished with powder coating, and stainless steel screws ensure the unit's weatherproof capability.

SPECIFICATIONS

| | |
|-----------------------|--|
| Rated Input | 50 W |
| Line Voltage | 100 V line or 70 V line |
| Rated Impedance | 100 V line: 200 Ω (50 W), 330 Ω (30 W), 670 Ω (15 W) 70 V line: 100 Ω (50 W), 200 Ω (25 W), 330 Ω (15 W), 670 Ω (7.5 W) |
| Sensitivity | 111 dB (1 W, 1 m) |
| Frequency Response | 200 Hz – 6 kHz |
| Dust/Water Protection | IP65 |
| Polarity | Hot: Black, Com: White |
| Operating Temperature | -20 °C to +60 °C (-4 °F to 140 °F) (must be free from dew condensation) |
| Finish | Horn flare: Aluminum, off-white, powder coating Reflector horn: ABS resin, off-white Bracket holder: Aluminum, white, powder coating Bracket: Steel, gray, powder coating Rear cover: ABS resin, gray Screw and bolts: Stainless steel Speaker Cable: Polyvinyl chloride insulated cabtyre cable (6 mm (0.24") in diameter, 600 mm (1.97 ft) in length) |
| Dimensions | ∅400 (W) × 376 (D) mm (∅15.75" × 14.8") |
| Weight | 4 kg (8.82 lb) |

Note: Avoid installing the speaker in locations which vibrate considerably, or under environments easy to be oil-contaminated.

APPEARANCE



UNIT:mm SCALE:1/10