

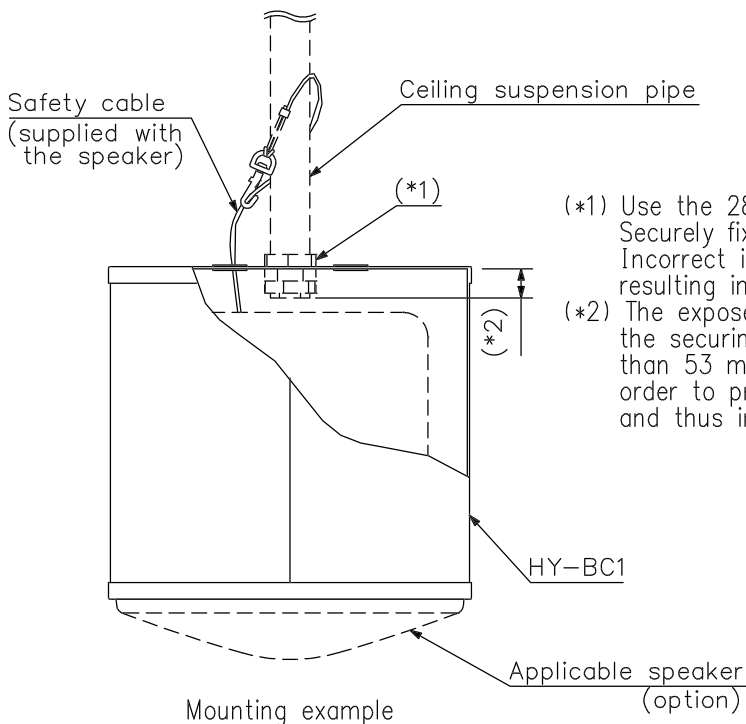
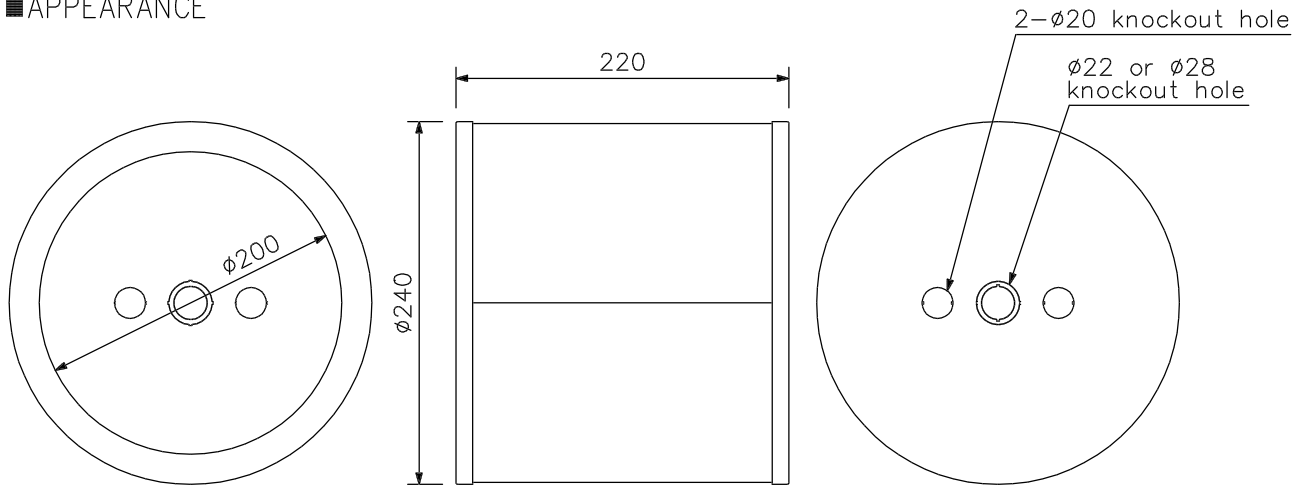
■DESCRIPTION

The HY-BC1 Back Can is a metal case attached to flush-mount ceiling speaker when mounted in exposed applications. The Back Can is hung from a ceiling suspension pipe.

■SPECIFICATIONS

Finish	Surface-treated steel plate, t0.8, black, paint
Weight	1.5 kg
Accessory	Rubber grommet *2

■APPEARANCE



- (*1) Use the 28 mm hole for the suspension pipe mounting. Securely fix to a pipe or fittings. Incorrect installation may cause the joint part to break, resulting in the fall of the Back Can.
- (*2) The exposed length of the suspension pipe on which the securing nut will be tightened must be no longer than 53 mm (26 mm when the F-122CU is used) in order to prevent the bolt from contacting the speaker and thus interfering with correct installation.

UNIT:mm SCALE:1/5