

MATCHING TRANSFORMER

MT-251H

1. SAFETY PRECAUTIONS

WARNING Indicates a potentially hazardous situation which, if mishandled, could result in death or serious personal injury.

- External wiring connected to the terminals requires installation by an instructed person.
- Be sure to replace the unit's terminal cover after connection completion. Because the voltage of up to 100 V is on the both primary and secondary sides, never touch these terminals to avoid electric shock.
- Use the specified amplifiers in combination. Failure to follow this instruction could result in damage to the speaker.
- When bridge-connecting the amplifiers, never use the MT-251H, as this will damage the speakers and the MT-251H. (DA-250DH CU, DA-250FH CU, and DA-500F-HL CU only)

2. GENERAL DESCRIPTION

Designed for use with the DA-250DH, DA-250FH, DA-500F-HL and DA-500FH Multi-Channel Power Amplifiers, the MT-251H electrically isolates the high-impedance speaker lines from the amplifier.

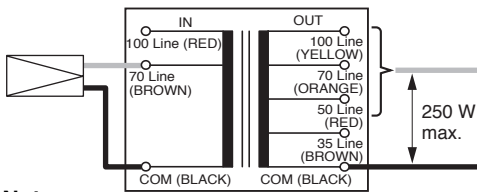
3. HANDLING PRECAUTIONS

- Be sure to adjust the input level so that amplifier's Peak indicator does not light. Operating the amplifier while the Peak indicator is lit continuously or intermittently causes output sound to be interrupted.
- Note that incorrect cable connection may damage the speakers.

4. CONNECTIONS

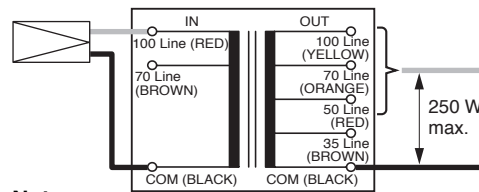
The cable connections to the MT-251H's taps on the primary and secondary sides differ depending on the amplifier model to use.

[DA-250DH CU, DA-250FH CU]



Note
Be sure to set the input sensitivity of the amplifier to +4 dB, and the HPF (High-pass filter) to ON when using the amplifier for microphone announcement application.

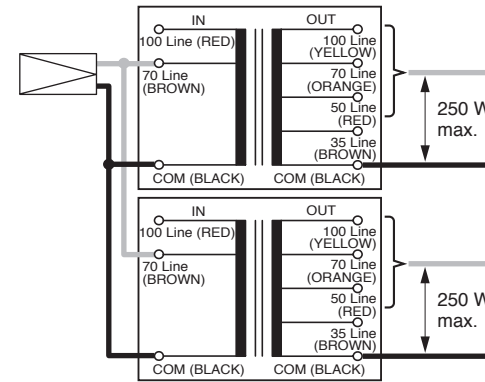
[DA-250DH CE, DA-250FH CE]



Note
Be sure to set the input sensitivity of the amplifier to +4 dB when using the amplifier for microphone announcement application.

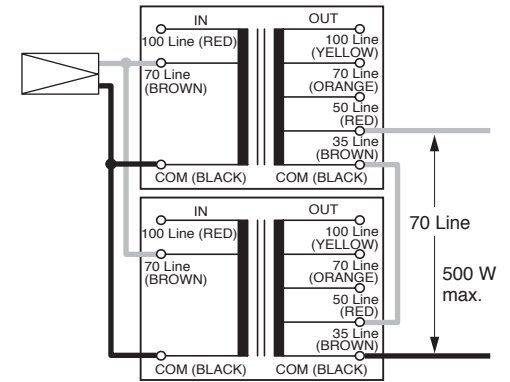
4.3. DA-500F-HL CU

[2 output channels connection]



Note
Be sure to set the HPF (High-pass filter) to ON.

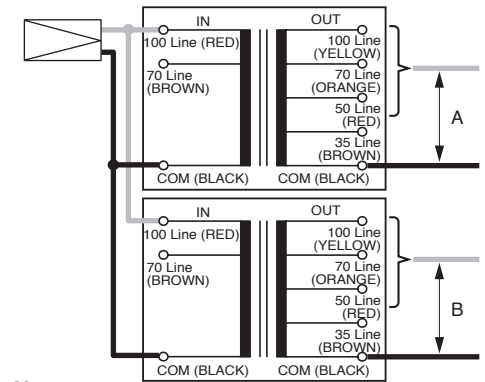
[Single output channel connection]



Note
Be sure to set the HPF (High-pass filter) to ON.

4.4. DA-500FH CE

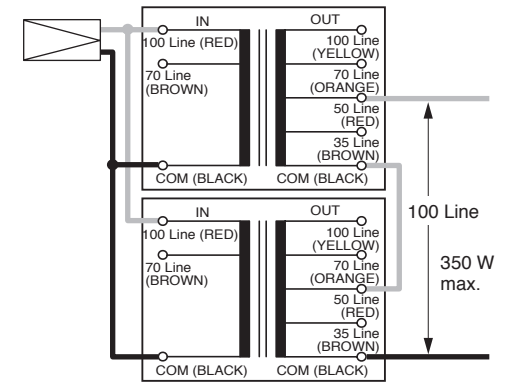
[2 output channels connection]



Note
All of the following conditions should be met.

- A + B = 350 W max.
- A = 250 W max.
- B = 250 W max.

[Single output channel connection]



5. SPECIFICATIONS

Capacity	0 – 250 W
Primary Side	100 Line, 70 Line
Secondary Side	100 Line, 70 Line, 50 Line, 35 Line
Frequency Response	30 – 18,000 Hz (+0 dB, -3 dB)
Connection Terminal	M3 screw terminal, distance between barriers: 6.6 mm (0.26 ")
Dimensions	108 (w) x 122 (h) x 80 (d) mm (4.25 " x 4.8 " x 3.15 ")
Weight	2.4 kg (5.29 lb)

Note: The design and specifications are subject to change without notice for improvement.