



LBC 3080/01 Fire Dome



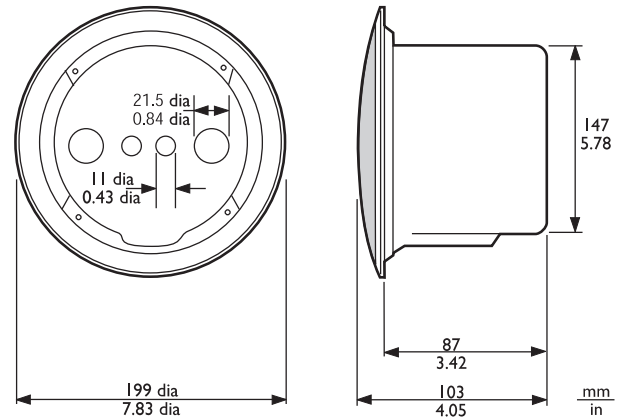
During a fire, the ceiling cavity can allow fire or smoke to spread throughout a building. To inhibit fire entering the cavity via the ceiling loudspeaker, it can be fitted with an LBC 3080/01 steel fire dome. This is mounted on the loudspeaker assembly using four self-tapping screws supplied with the fire dome. The fire-dome has knockout holes for two grommets (supplied) and two cable glands (PG 13).

This fire dome can only be used with the ceiling speakers: LBC 3087/41, LBC 3090/01 and LBC 3090/31.

Certifications and Approvals

Region	Certification
Europe	CE Declaration of Conformity

Installation/Configuration Notes



LBC 3090/01 and LBC 3080/01 Fire Dome assembly dimensions in mm (in)

Parts Included

Quantity	Components
1	LBC 3080/01 Fire Dome
4	Self tapping screws
2	Rubber grommets

Technical Specifications

Mechanical

Dimensions (dia. x max depth)	147 x 87 mm (5.8 x 3.4 in)
Weight	360 g (0.8 lb)
Color	White (RAL 9010)
Certified B15	Acc. to DIN 4102

Ordering Information

LBC 3080/01 Fire Dome

metal fire dome for the LBC 3087/41,
LBC 3090/xx and LHM 0606/xx ceiling loud-
speakers

LBC 3080/01

Americas:
Bosch Security Systems, Inc.
Communications Systems
12000 Portland Avenue, South
Burnsville, Minnesota 55337, USA
Phone: +1-800-392-3497
Fax: +1-800-955-6831
audiosupport@US.bosch.com
www.boschcommunications.us

Europe, Middle East, Africa:
Bosch Security Systems B.V.
P.O. Box 80002
5600 JB Eindhoven, The Netherlands
Phone: +31 40 2577 284
Fax: +31 40 2577 330
emea.securitysystems@bosch.com
www.boschsecurity.com

Asia-Pacific:
Robert Bosch (SEA) Pte Ltd, Security Systems
38C Jalan Pemimpin
Singapore 577180
Phone: +65 6319 3453
Fax: +65 6319 3499
apr.securitysystems@bosch.com
www.boschsecurity.com

Represented by