

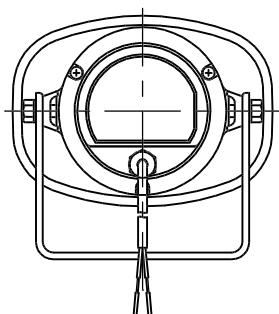
DESCRIPTION

TOA's SC-610 is a compact, highly intelligible speaker suited to public address announcement applications. Its external speaker component finished with powder coating, and stainless steel bracket and screws ensure the unit's weatherproof capability.

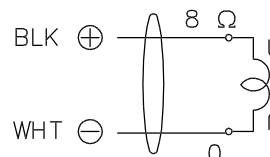
SPECIFICATIONS

Rated Input	10 W (Mobile Mount use: 5 W)
Rated Impedance	8 Ω
Sound Pressure Level	110 dB (1 W, 1 m at 500 to 2,500 Hz peak level)
Frequency Response	315 - 12,500 Hz
Sensitivity when used as Microphone (0 dB=1 mW/10 dynes/cm ²)	-24 dB at 1 kHz
IP Code	IP 65
Polarity	Hot: Black, Com: White
Operating Temperature	-20°C to +55°C (must be free from dew condensation)
Finish	Horn flare: Aluminum, off-white, powder coating Reflector horn and rear cover: ABS resin, off-white Bracket, screws and bolts: Stainless steel Speaker cable: Polyvinyl chloride insulated cabtyre cable (6 mm in diameter, 600 mm in length)
Dimensions	172 (W) X 161 (H) X 188 (D) mm
Weight	1 kg
Option	Swivel bracket: YS-151S (Can be used instead of the supplied bracket.)

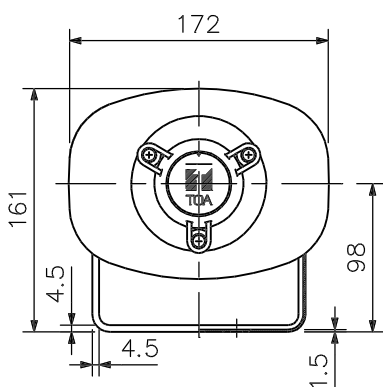
APPEARANCE



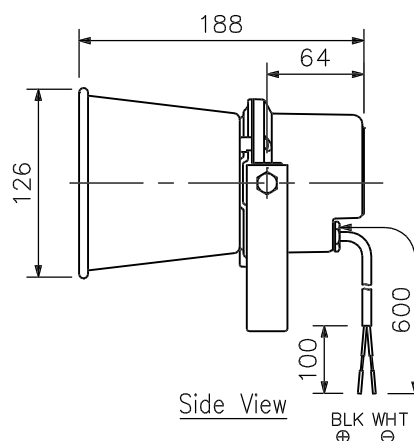
Rear View



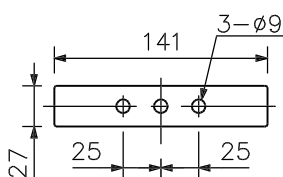
Wiring diagram



Front View



Side View



Bracket dimensional diagram

UNIT:mm SCALE:1/5