

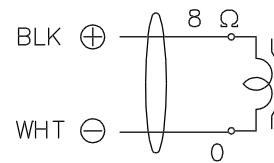
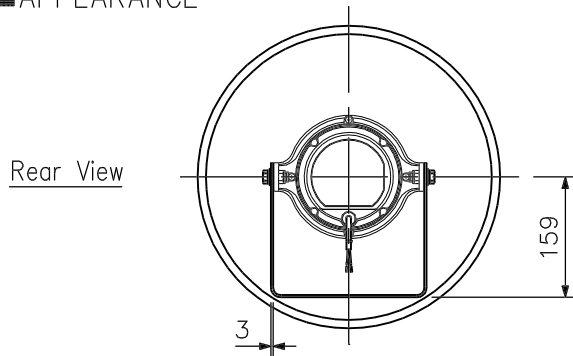
DESCRIPTION

TOA's TC-615 is a highly intelligible, general-purpose speaker suited to public address announcement applications. Its external speaker component finished with powder coating, and stainless steel screws ensure the unit's weatherproof capability.

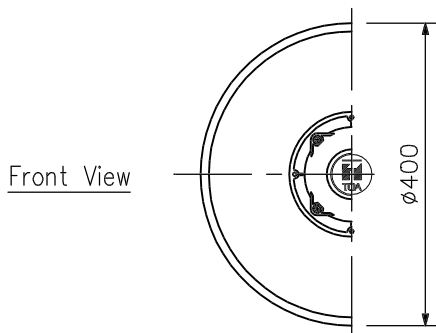
SPECIFICATIONS

Rated Input	15 W
Rated Impedance	8 Ω
Sound Pressure Level	108 dB (1 W, 1m)
Frequency Response	250 - 7,000 Hz
IP Code	IP 65
Polarity	Hot: Black, Com: White
Operating Temperature	-20°C to +55°C (must be free from dew condensation)
Finish	Horn flare: Aluminum, off-white, powder coating Reflector horn: ABS resin, off-white Bracket holder: Aluminum, gray, powder coating Bracket: Steel, gray, powder coating Rear cover: ABS resin, gray Screw and bolts: Stainless steel Speaker Cable: Polyvinyl chloride insulated cabtyre cable (6 mm in diameter, 600 mm in length)
Dimensions	∅400 × 376 (D) mm
Weight	3 kg

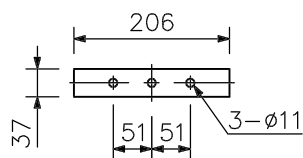
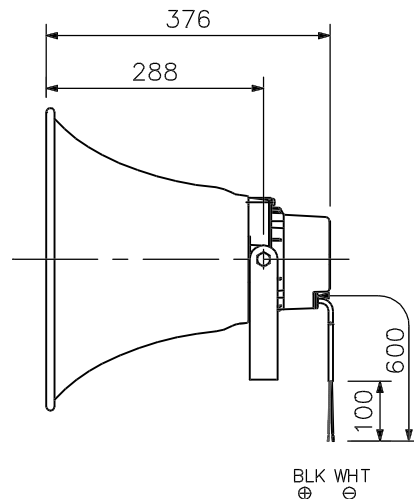
APPEARANCE



Wiring diagram



Side View



Bracket dimensional diagram

UNIT:mm SCALE:1/10