

ZONE MANAGER

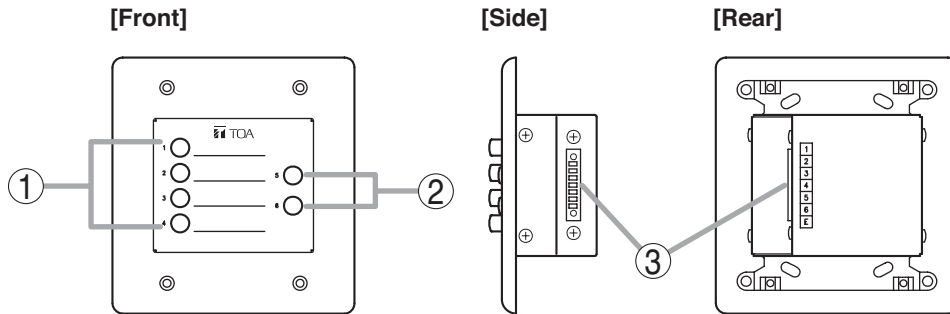
ZM-9003

Thank you for purchasing TOA's Zone Manager.
Please carefully follow the instructions in this manual to ensure long, trouble-free use of your equipment.

1. GENERAL DESCRIPTION

The ZM-9003 is a remote control switch panel with 4 interlocking selection switches and 2 momentary switches. Connecting it to the 9000 Series amplifier's control input terminal permits various controls such as BGM source selection and the sound volume adjustment. It can be mounted in an American standard 2-gang electrical box in a wall.

2. NOMENCLATURE AND FUNCTIONS



1. Interlocking selection switches [1 - 4]

Activate the function assigned to them when pressed.

2. Momentary switches [5, 6]

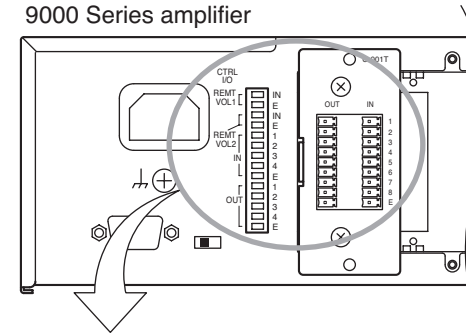
Activate the function assigned to them when pressed.

3. Control output terminal [1 - 6, E]

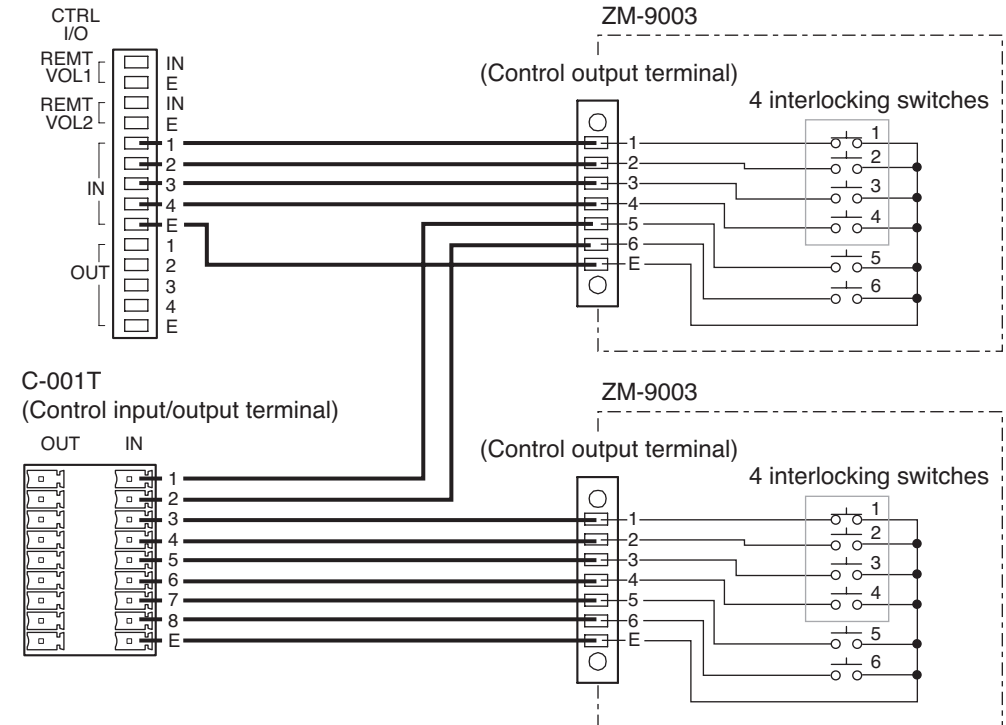
Connect this terminal to the 9000 Series amplifier's control input terminal.
Use a cable with 250 Ω or less line resistance (per line) for this connection.
Avoid installation of this cable and power cables in the same conduit. Separate piping.

3. CONNECTIONS

Up to 2 ZM-9003 units can be connected to the 9000 Series amplifier.
One C-001T Control I/O Expansion Module is required for connection.
Connect the ZM-9003 to each control input terminal of the C-001T and 9000 Series amplifier as shown below.
Function assignment to the interlocking selection switches or momentary switches is performed at the 9000 Series amplifier. For the method, refer to the instruction manual supplied with the 9000 Series amplifier.

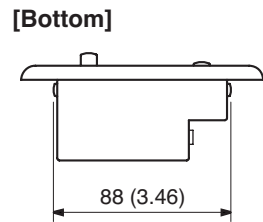
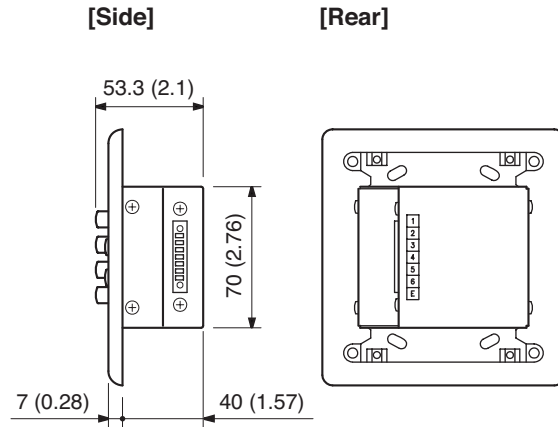
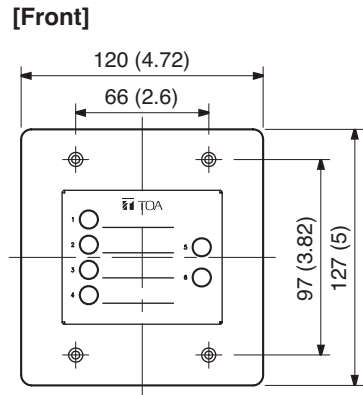


9000 Series amplifier
(Control-I/O connection terminal)

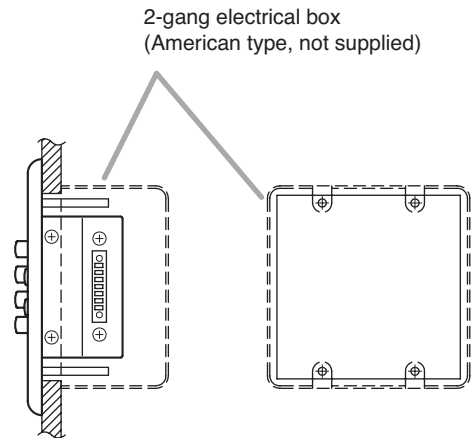


4. DIMENSIONAL DIAGRAMS

Unit: mm (inches)

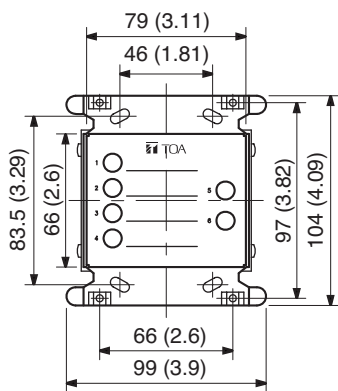


[Figure when mounted]



Note
Ground the electrical box to avoid unit malfunction due to static electricity.

[Front view without panel]



5. SPECIFICATIONS

Line Resistance	250 Ω or less (per line)
Terminal	Removable terminal block (7 pins)
Operating Temperature	-10 to +40°C
Finish	Surface-treated steel plate, white, paint
Dimensions	120 (w) x 127 (h) x 53.3 (d) mm (4.72" x 5" x 2.1")
Weight	375 g (13.23 oz)

Note: The design and specifications are subject to change without notice for improvement.

• Accessories

Machine screw (for box mounting)	
No.6-32UNC x 30	4
M4 x 30	4
Machine screw (for panel mounting) No.6-32UNC x 6	4
Removable terminal plug (7 pins)	1

Traceability Information for Europe (EMC directive 2004/108/EC)

Manufacturer:
TOA Corporation
7-2-1, Minatojima Nakamachi, Chuo-ku, Kobe, Hyogo,
Japan

Authorized representative:
TOA Electronics Europe GmbH
Suederstrasse 282, 20537 Hamburg,
Germany