



REMOTE MICROPHONE

RM-200M

DESCRIPTION

The RM-200M is a dedicated unit for both the VM-2120 and VM-2240, and permits Emergency Broadcast as well as general-purpose broadcast.

SPECIFICATIONS

(*1) 0 dB = 1 V

Power Source	24 V DC (Operating range: 14 – 28 V DC) Power input jack: Non-polarity type Usable power input plug(*2): Outer diameter ϕ 5.5 mm, inner diameter ϕ 2.1 mm, length 9.5 mm
Current Consumption	100 mA maximum
Distortion	Under 1%
Frequency Response	100 – 20,000 Hz
Signal-to-Noise Ratio	Over 60 dB
Audio Output	0 dB(*1), 600 Ω , balanced
Microphone	Unidirectional electret condenser microphone
Speaker Control	Zones 1 – 5 or Zones 1 – 10 (2 stacked amplifiers connection), Groups 1 – 2, and All-Zone Broadcast
Emergency Broadcast	Activation of Emergency Broadcast (pre-recorded announcement(*3) or live microphone announcement) by Emergency Broadcast Switch
Voice Message Control	Activation of 5 messages(*3)
Volume Control	Microphone volume control
Connection Cable and Connector	Category 5 STP cable, RJ45 connector
Finish	ABS resin, blueish gray (PANTONE 538 or its equivalent)
Dimensions	190 (W) \times 76.5 (H) \times 215 (D) mm (Gooseneck microphone excluded)
Weight	750 g
Accessory	Link cable (3 m)1

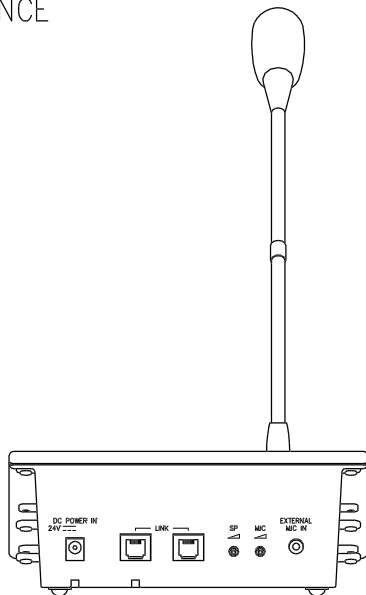
(*2) Use the AC adapter AD-4800 optionally available as our service component.

(*3) An optional EV-200 Board must be mounted in the VM-2120 or VM-2240 Amplifier.

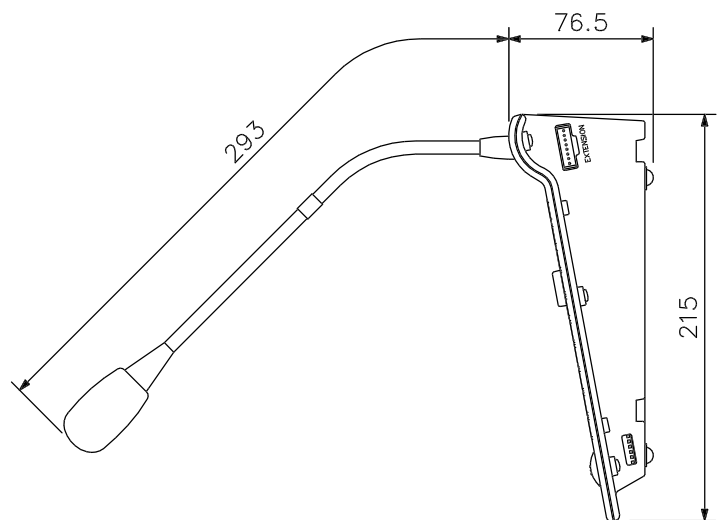
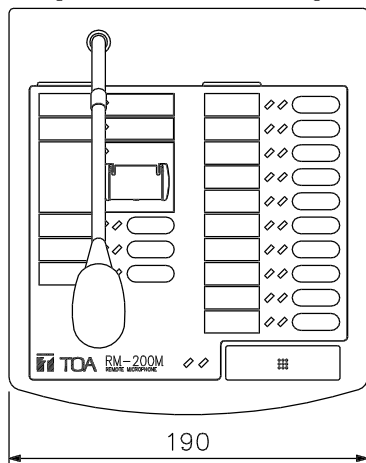
The voice messages must be pre-recorded into a CF (CompactFlash) card to be inserted into the EV-200 Board.

APPEARANCE

Rear View



Top View



Side View

UNIT: mm SCALE: 1/4