

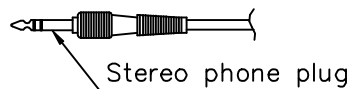
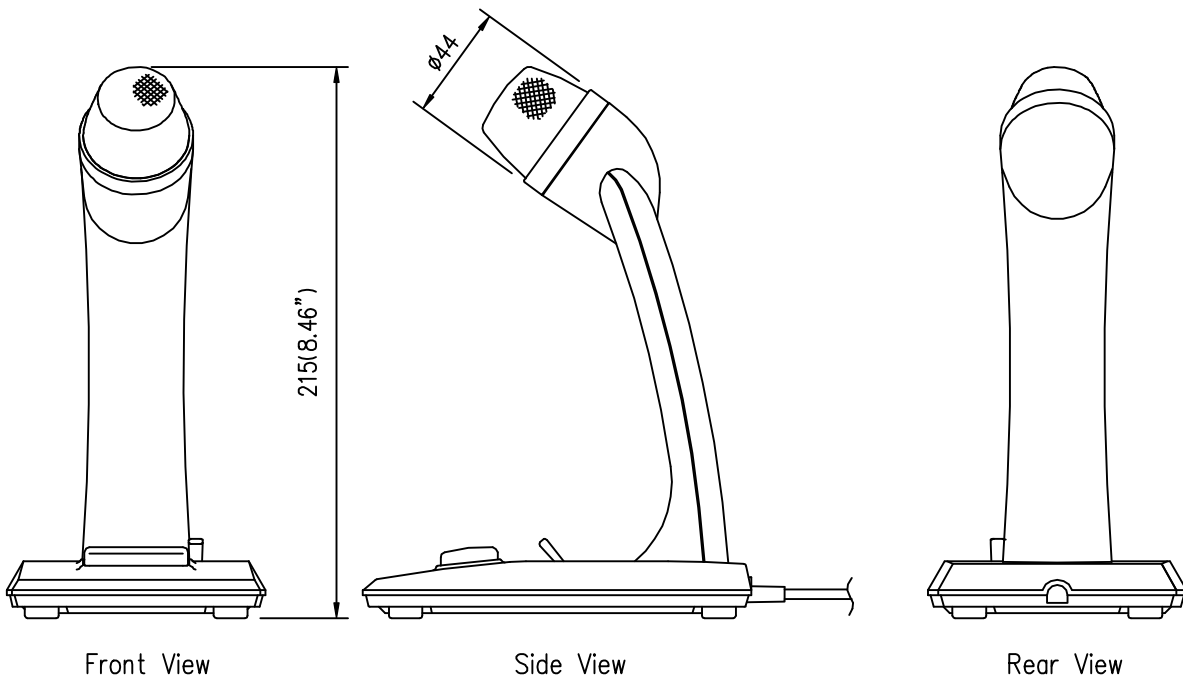
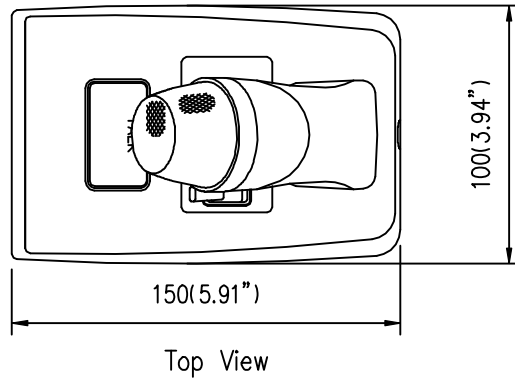
DESCRIPTION

Designed for paging calls and general announcements, the PM-660 desk-top microphone comes with a large talk switch and a lock lever for easy and convenient operation.

SPECIFICATIONS

Type	Dynamic (moving coil)
Polar Pattern	Cardioid
Rated Impedance	600 Ω, unbalanced
Output Level	-58 dB (1 kHz, 0 dB=1 V/Pa)
Frequency Response	100 Hz~10,000 Hz
Output	∅4.5, 2-conductor shielded cable (2.5 m or 98.43") with stereo phone plug
Switch	1-push-to-talk switch, 1-locking lever, Short-off type
Remote Control	Less than 500 mA at 30 V DC
Finish	Microphone head : Zinc plated steel wire, Baked paint, Gray Main unit : ABS resin, Gray
Dimensions(W×H×D)	100 (3.94")×215 (8.46")×150 (5.91") mm
Weight	440 g (0.97 lb.) (cord excluded)

APPEARANCE



UNIT:mm SCALE:1/3