

Audio Entry Security

ENTRANCE
1

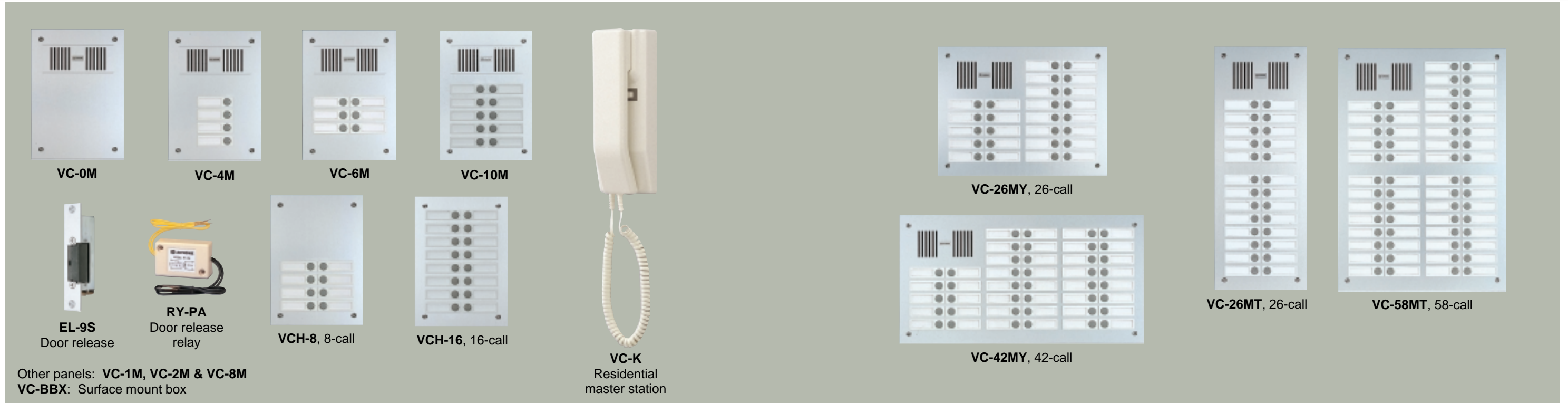
RESIDENCE
58

VC-M



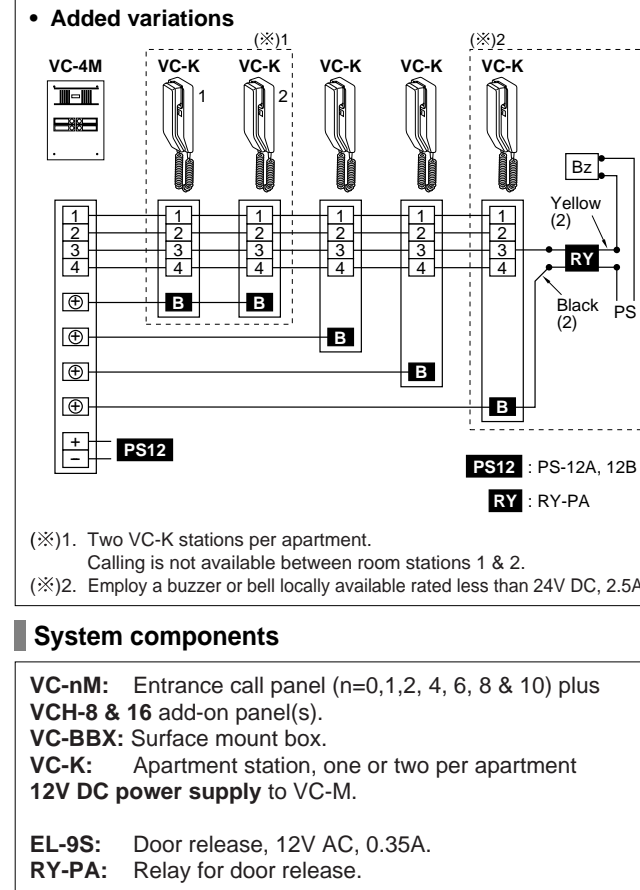
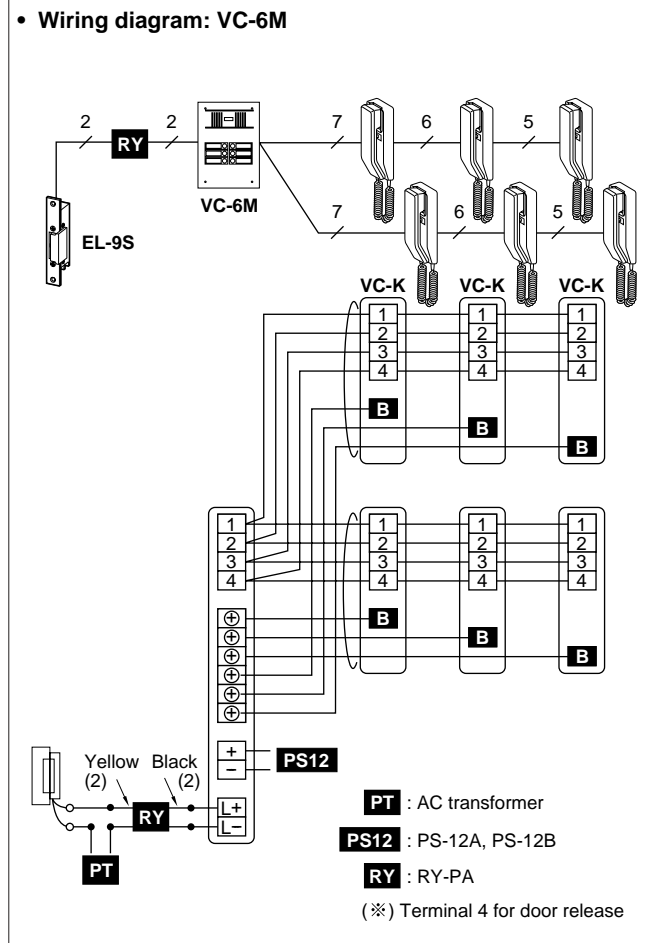
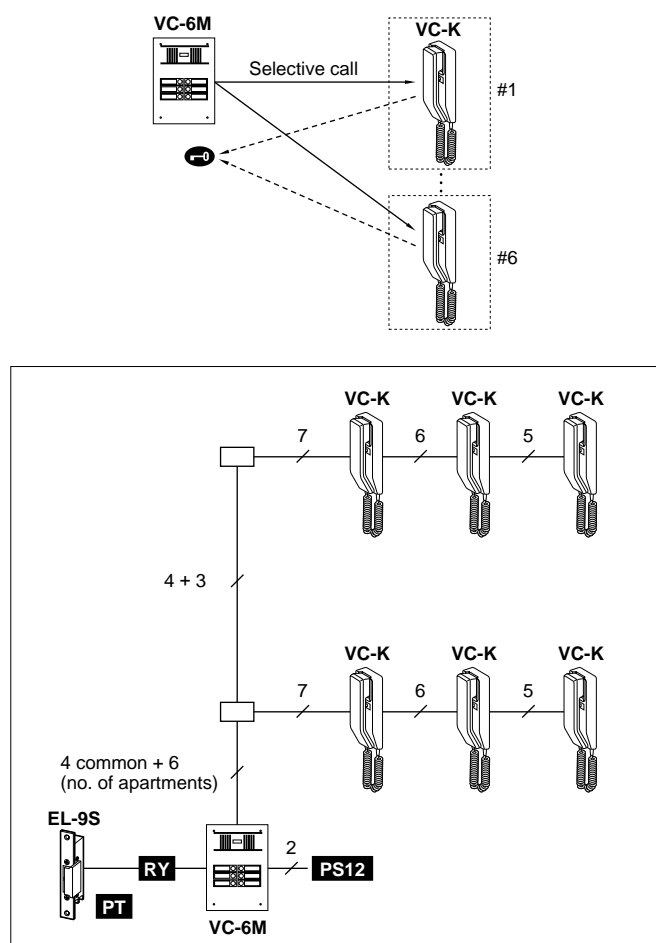
- Single entry 0 to 10-call panel.
Add-on 8 or 16-call panel(s).
- VC-K handset, one or two per residence.

- Directory back illumination.
- Single and larger panels.



Other panels: VC-1M, VC-2M & VC-8M
VC-BBX: Surface mount box

Communication network & wiring



	Front panel			Built-in box		
	H	W	D	H	W	D
VC-M, VCH panel	260	186	2	230	156	68
VC-26MY panel	260	339	2	230	309	68
VC-42MY panel	260	492	2	230	462	68
VC-26MT panel	487	186	2	457	309	68
VC-58MT panel	487	339	2	457	309	68
VC-BBX	-	-	-	264	190	52

* Multiple box mounting: Keep a distance of 186mm between two box centers.

Specifications (VC-M)

Power source	12V DC, 80mA (intercom). 100mA (lamp)
Power supply	PS-12A, PS-12B
Communication	Electronic buzzer rings VC-K station(s). (Freq.: 600Hz. approx.) Take (either) handset to reply. Single open channel.
Wiring	4 common + no.(residences), in loop. VC-M ~ VC-K: 35Ω looped. VC-M ~ power supply: 4Ω looped.
Distance	0.65mmø 1.0mmø
• VC-M to VC-K	330m 800m
• VC-M to PS	40m 90m