

# Open Voice Intercom

MASTER

# 40 LEF



- All-master configuration, 4, 6, 11 & 40 stations
- Loop-wired trunk cable, allowing to connect other LEF master & substations.

- Weather-resistant door stations (any number) with optional door release
- System expansions with PanTilt door/monitor(s), All Call/Music/Chime.



**LEF-3**  
3-call master



**LEF-5**  
5-call master



**LEF-10**  
10-call master



**LEF-10S**  
10-call master  
w/All Call switch



**LEF-20(S)**, 20-call master (photo)  
**LEF-30(S)**, 30-call master  
**LEF-40(S)**, 40-call master



**BG-10C**  
All Call, Music & Chime  
adaptor

### Options



**EL-9S**  
Door release  
→ P. 97



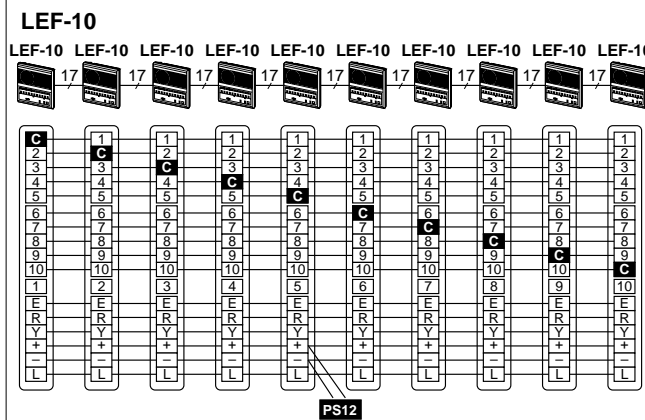
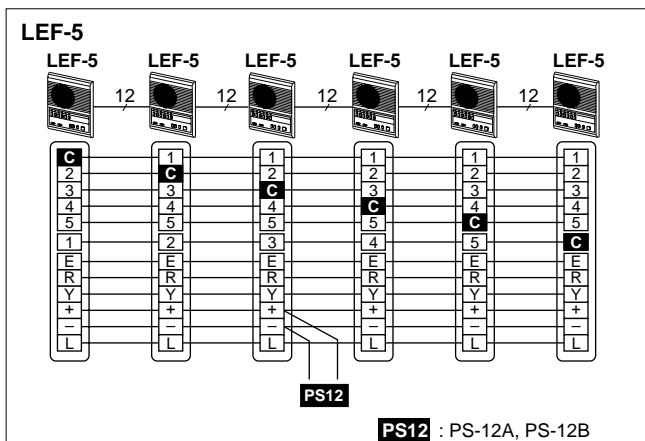
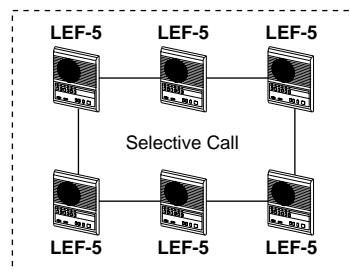
**RY-PA**  
Relay for EL-9S



Terminal box for desk use  
**LEW-5** for LEF-5  
**LEW-10** for LEF-10  
**LEW-10S** for LEF-10S

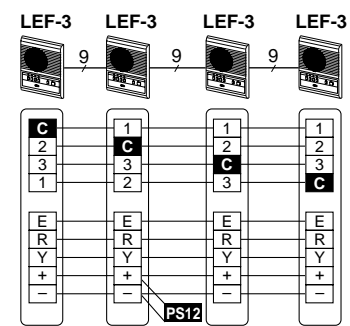
\* Does not include K video control terminals.

### Communication network & wiring



### All-master configuration, loop-wired

LEF-3



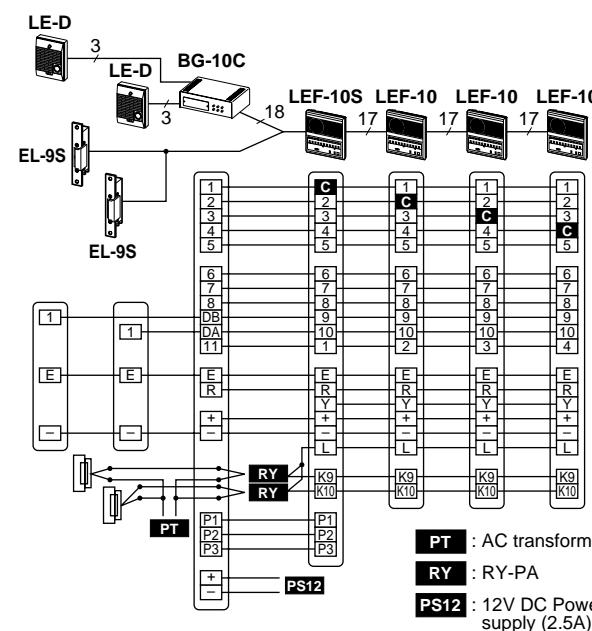
**PS12** : PS-12A, PS-12B

Models	Capacity	Cable
LEF-3	4 stations	9 wires
LEF-5	6 stations	11 wires (*5: K1~K5*)
LEF-10	11 stations	17 wires (*10: K1~K10*)
LEF-10S	11 stations	20 wires (*10: K1~K10*)

\*K1 ~K10: Control terminals for video, door release.

- Door & inside sub stations can ring 2 or 3 LEF masters.
- LEF all-master trunk cable = 5 (or 6) common + no. of LEF (& subs)

### All Call with LEF-10S



- LE-D call-in chimes on LEF stations.
- LEF-10S station only can transmit all call.
- Match door release control terminals (Kn) with door selector #10 with K10, #9 with K9.

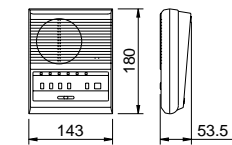
### Intermix configuration

3 wires per sub. Employ unused wires in main cable, or extend 3 wires to subs individually.

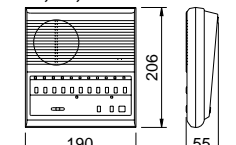
### System components

- LEF-3:** 3-call master.
- LEF-5:** 5-call master.
- LEF-10:** 10-call master.
- LEF-10S:** 10-call master, w/ALL CALL button.
- LE-D, LE-DA:** Any LE sub station.
- BG-10C:** All Call/Music/Chime adaptor.
- 12V DC power supply:** PS-12A, PS-12B (BG-10C: Requires 2.5A)

LEF-3

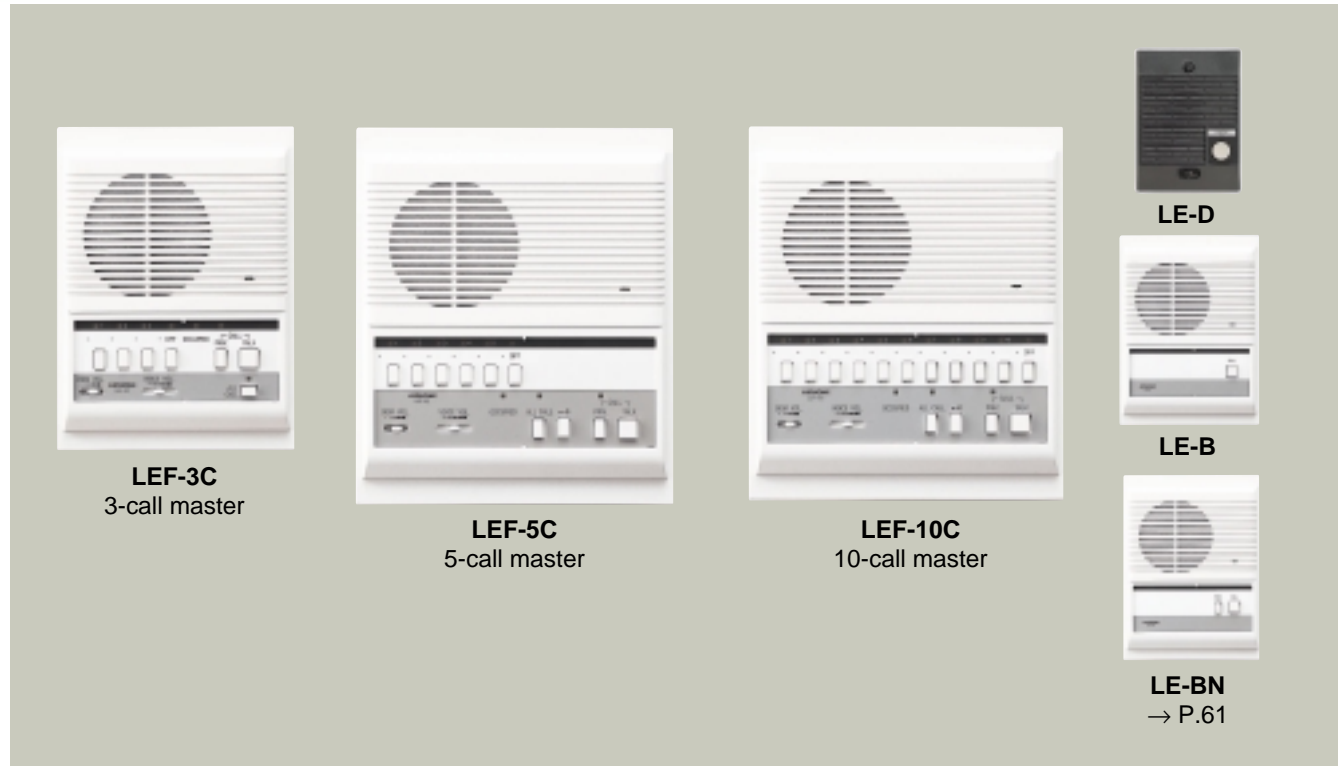


LEF-5, 10, 10S

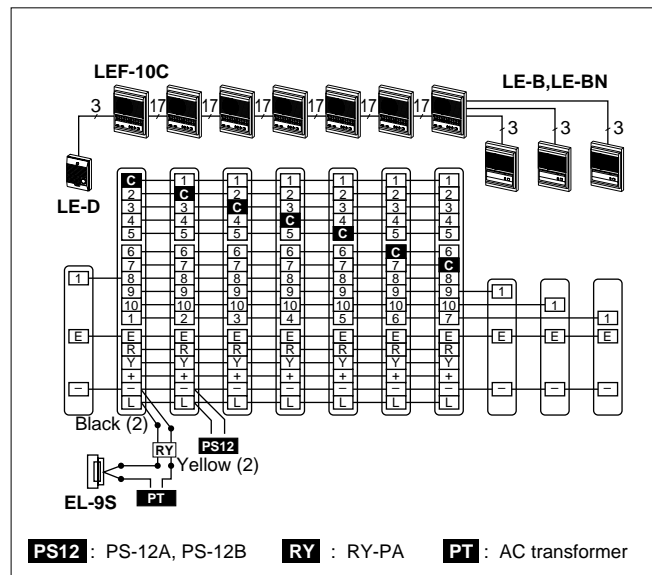
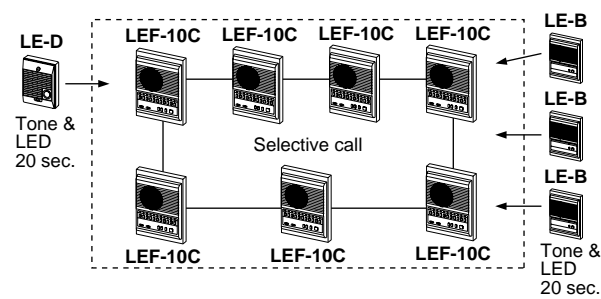


### Specifications (LEF)

Power source	12V DC, 300mA per LEF station.	
Power supply	PS-12A, PS-12B	
Communication	Sub calls in w/(chime) tone & LED, 20 sec. Depress an LED lit selector button. Use TALK/LISTEN switch. Master calls in w/voice (no LED lit). Reply handsfree. To call, depress a selector, and call by voice or tone.	
Door release	Contact rating: 30V DC, 0.1A (resistance load).	
Selector switch	Contact rating: 12V DC, 30mA.	
Wiring	5 wires common + no. LEF (& subs) (all-master system) 2 wires per sub (single-master system). * E to - link remains attached. LE subs: 3 wires, the link removed (when intermixed)	
Distance	0.65mmø	0.8mmø
• Farthest LEF's	200m	300m



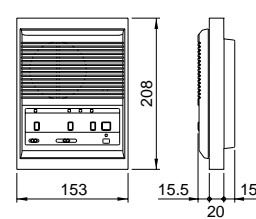
## Communication network & wiring



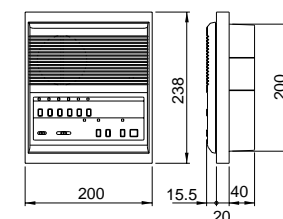
## System components

**LEF-3C:** 3-call master station.  
**LEF-5C:** 5-call master station.  
**LEF-10C:** 10-call master station.  
**LE-D, LE-DA, LE-B, LE-BN:** Any LE substation  
**12V DC power supply:** PS-12A, PS-12B

### LEF-3C



### LEF-5C LEF-10C

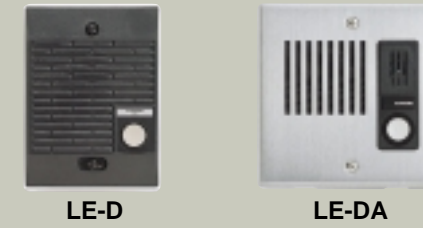


## Specifications (LEF-C)

Power source	12V DC, 300mA per station.	
Power supply	PS-12A, PS-12B	
Communication	Sub/door calls in w/tone & LED, 20 sec. Depress an LED lit selector button. Depress TALK/LISTEN switch. The LED stays lit while in use. Single talk channel w/OCCUPIED lit.	
Output	800mW at 20Ω (receive). 500mW at 20Ω (transmit).	
Door release	Contact rating: 110V AC, 1A. 24V DC, 1A (on RY-PA output).	
Selector switch	Contact rating: 12V DC, 1A. (K terminals)	
Wiring	5 or 6 common + no. all stations	
Distance	0.65mmø	0.8mmø
• Farthest LEF-C's	200m	300m

## LE Sub stations & All Call Adaptor

### • Weather-resistant subs



### • 1-call subs



### • 3-call subs



### • Semiflush mount subs



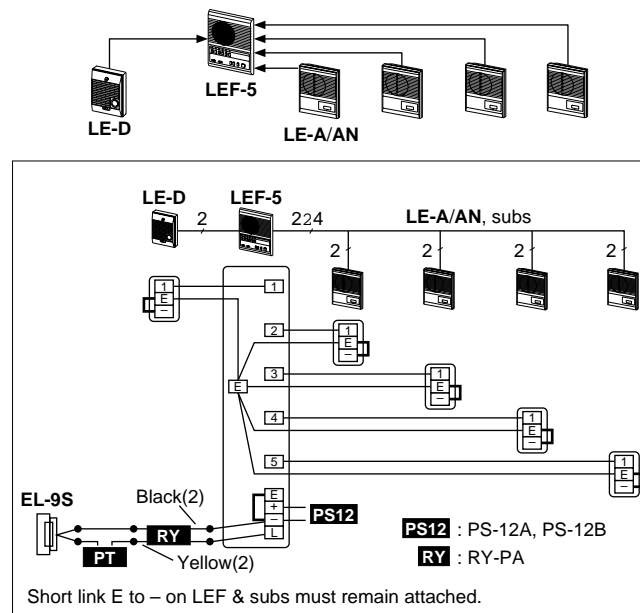
### • Sub master station for all call, door answer & door striking

### • All call/music/chime adaptor

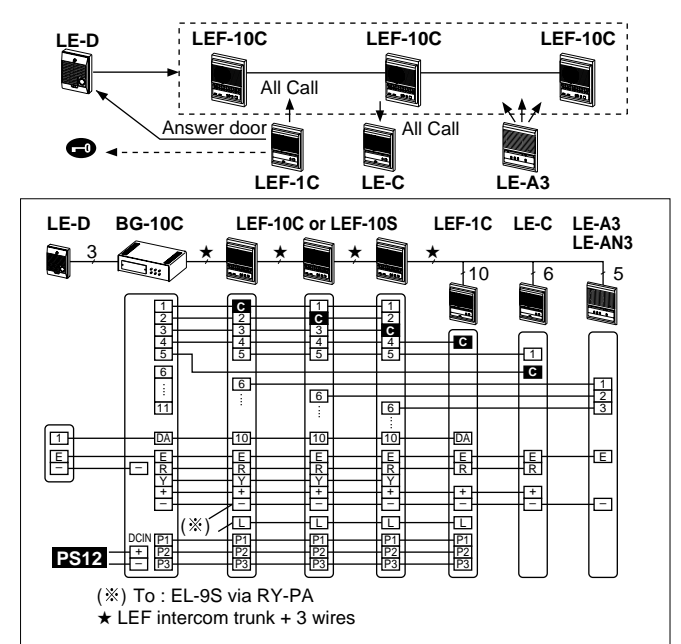


## Communication network & wiring

### • Single-master configuration



### • All Call adaptor & LEF-1C sub master station



## Specifications (BG-10C)

Power source	12V DC, 2.5A (music max. output). 1.5A (music, chime & all call). 0.1A standby	
All call transmit	From LEF-3C, 5C, 10C & LEF-1C and LEF-10S	
All call receive	All LEF master stations, and LE-C, CN	
Chime tone transmit	3 doors	
Music input	AUX R, E and AUX L, E	
Controls	Music on/off. 11 selector switches of music & chime, chime only or off.	
Wiring	19 wires max. BG-10C to LEF-10C. 3 wires to each LE-D, DA.	
Distance	0.65mmø	0.8mmø
• BG-10C to LEF-C	150m	230m
• Door to LEF-C farthest	200m	300m

