

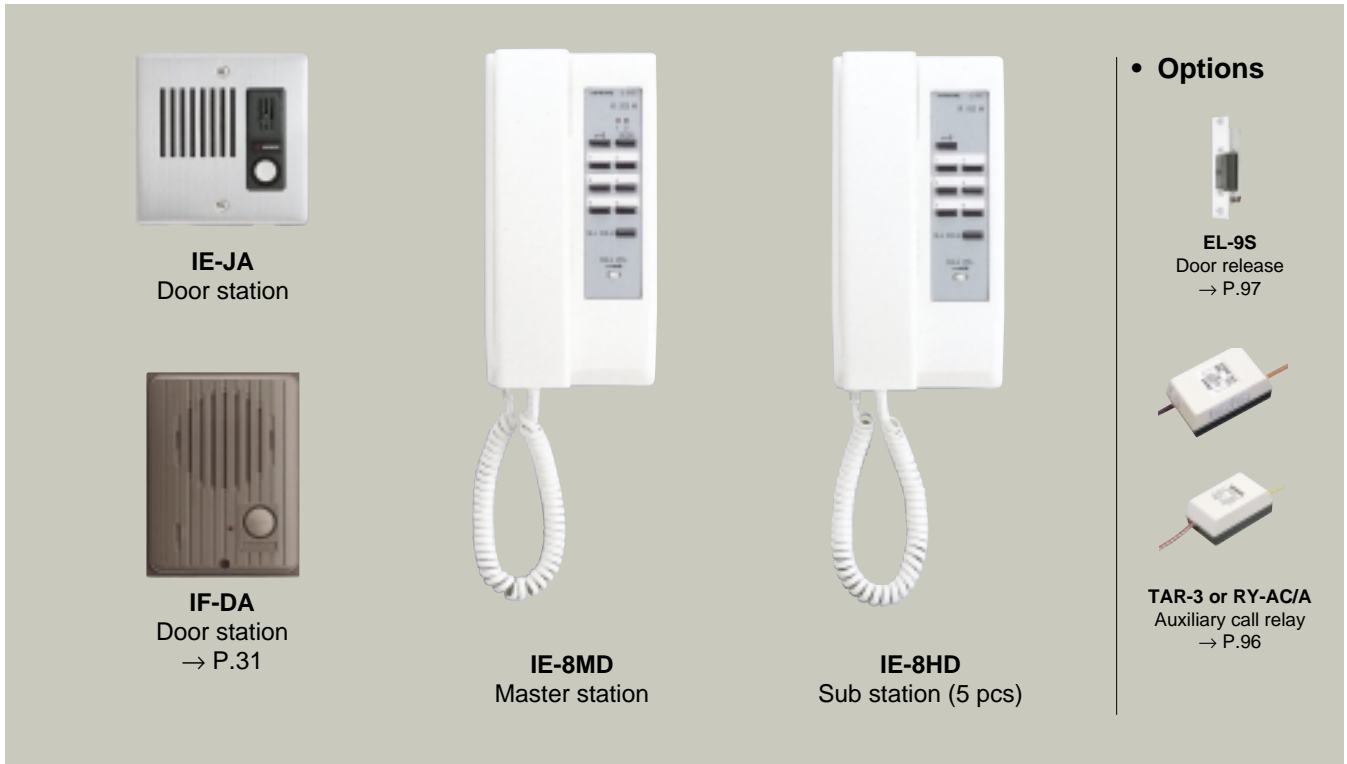
DOOR **2** ROOM **6**

IE-8MD

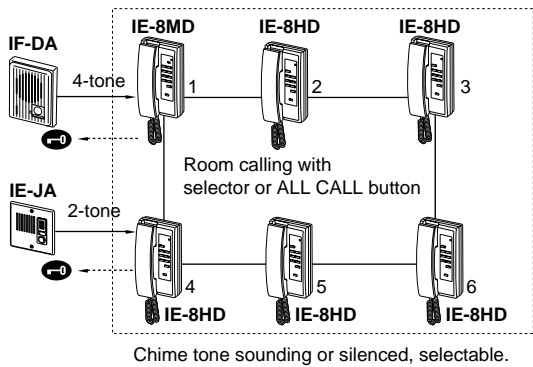


- Expandable to 6-station system
- Selective or All Call
- Door select and monitor button (on IE-8MD only)

- AC or DC power source
- Two door release controls
- Chime tone cutout on any, selectable



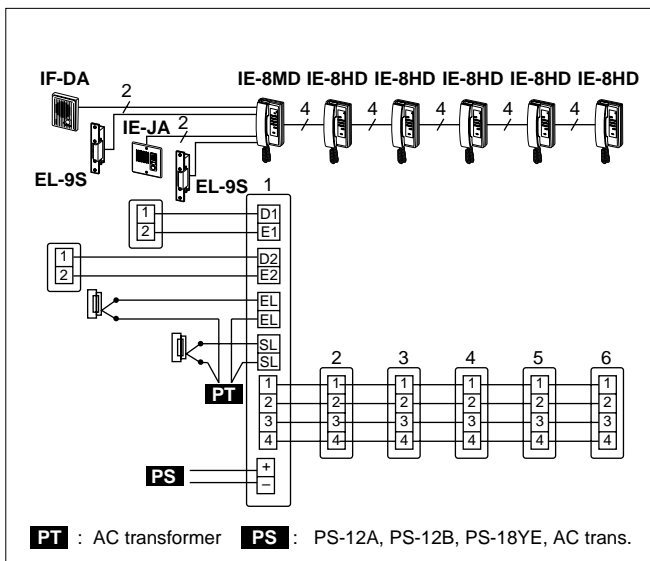
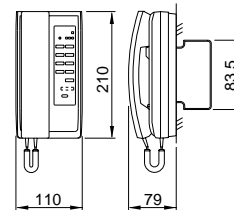
Communication network & wiring



System components

- IE-8MD:** Master station
- IE-8HD:** Sub station (max. 5 pcs)
- IF-DA:** Door station, any IE/IF (2 pcs)
- Power supply:** PS-12A, PS-18YE, AC trans., etc.

IE-8MD
IE-8HD



Specifications (IE-8MD)

Power source	12~16V AC, 900mA. 12~18V DC, 500mA	
Power supply	Intercom only; DC 12V or 18V power supply. AC transformer 12V AC, 10VA or 16V AC 14VA w/no load voltage 20V or less. Intercom + EL-9S; 12V AC, 10VA only.	
Communication	Door calls in w/ 4- or 2-tone chime and LED, 45 sec. Pick up any handset to reply. Press 1 ~ 6 to call other station with pretone and voice or All Call. Single channel, common talk system.	
Door release	Contact rating: 24V AC/DC, 350mA.	
Wiring	2 parallel wires, to door. 4 wires in loop, rooms	
Distance	0.65mmø	1.0mmø
• IE-8MD to door	150m	360m
• Rooms	75m	190m