

Two-Wire Electric Lock Door Phone



DA-1AS
DA-1AG



- Two-wire system throughout system
- Door release wired to door station, requiring no power transformer
- User-optional function button

- Call tone MUTE with indicator
- Call extension sounder

• Door station

DA-1DS
Door station silver

DA-1DG
Door station gray

DA-1AS
Kit box of Master and door station, silver

DA-1AG
Kit box of Master and door station, gray

• Master station

DA-1MD,
Master station

• Options

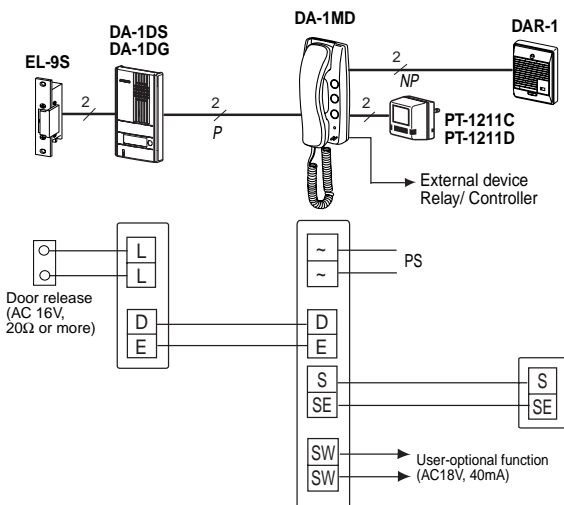
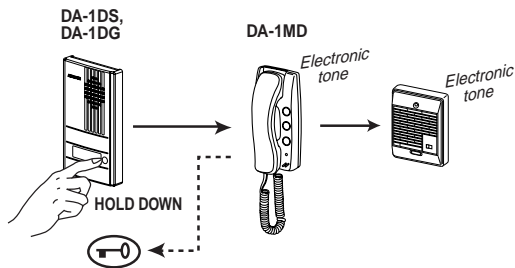
EL-9S
Door release → P.107

DAR-1
Call extension sounder

DAW-P
Mounting plate for door station (83.5mm)

AUDIO ENTRY SECURITY

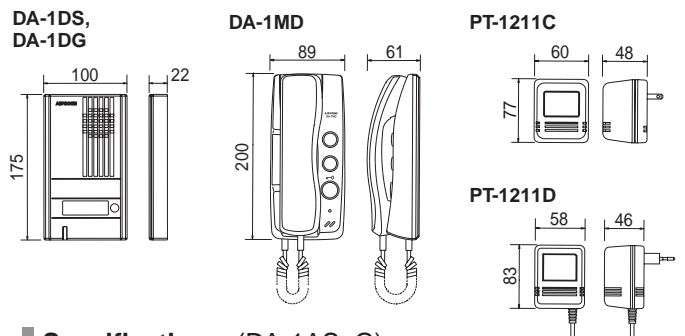
Communication network & wiring



- Notes:
1. Place PT-1211D/C inside electrical enclosure and connect to breaker, less than 16V.
 2. Do not use PT-1211C/D for any other equipment.
 3. Terminals SW, SW: Dry-closure contact AC 18V, 40mA to connect user-optional function (Gate, Light, Garage, Proximity Access Control, etc.)

System components

- DA-1AS:** Boxed set of DA-1DS, DA-1MD & PT-1211C or PT-1211D power supply (230V AC)
- DA-1AG:** Boxed set of DA-1DS, DA-1MD & PT-1211C or PT-1211D power supply (120V AC)
- DA-1DS:** Door station, silver
- DA-1DG:** Door station, gray
- DA-1MD:** Master station
- PT-1211C:** Power supply (120V AC)
- PT-1211D:** Power supply (230V AC)



Specifications (DA-1AS, G)

Power source	AC 15V		
Power supply	PT-1211C (120V AC). PT-1211D (230V)		
Communication	Press and hold down Button to call.		
Wiring	2 wires, throughout system: PS - Master - Door - Door rlse.		
Distance			
		0.6mm	0.8mm
		1.0mm	
• PT-1211C/D ~ Door rlse.	110m	200m	310m
• PT-1211C/D ~ DA-1MD	55m	100m	155m