

Chime Tone Intercom

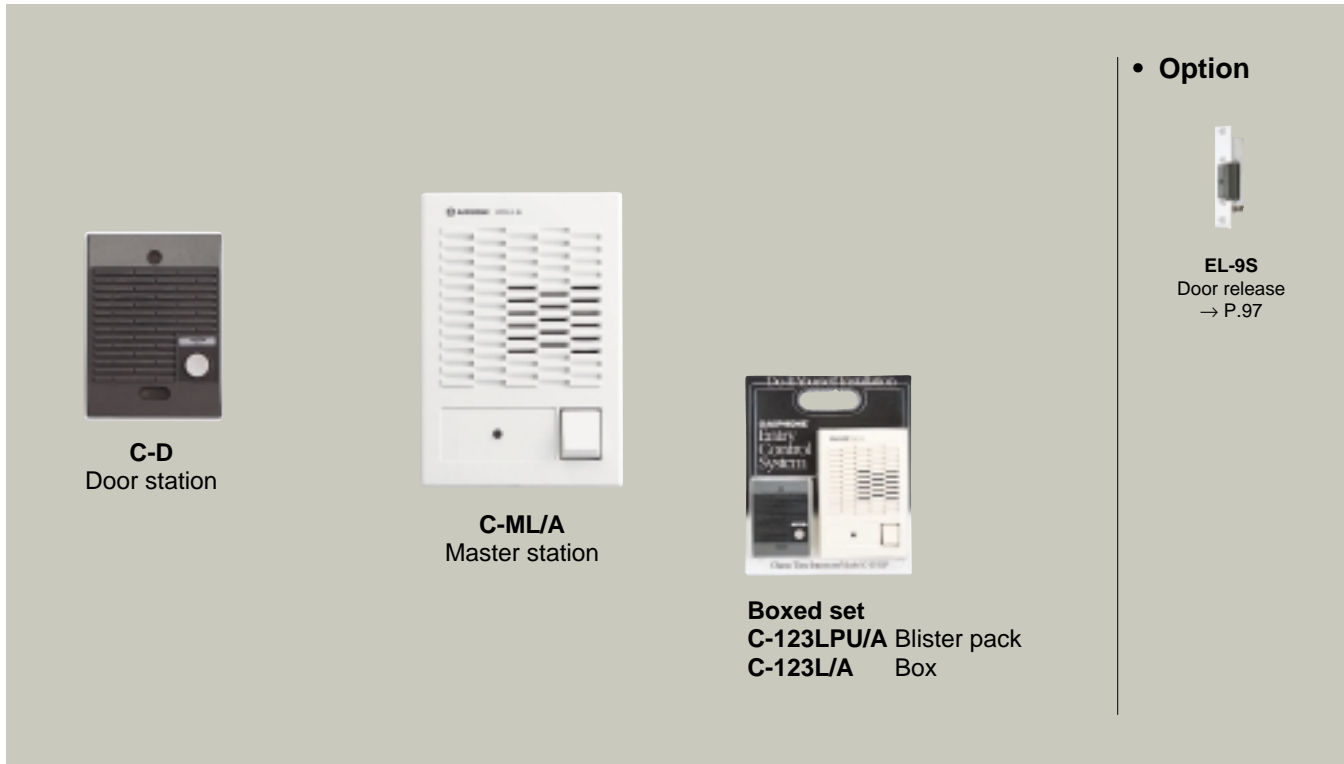


C-123L/A



- Open voice door answering with door release control
- Communication volume adjustable.
- Circuit auto turns off.
- Battery or DC power supply.

AUDIO ENTRY SECURITY



• Option

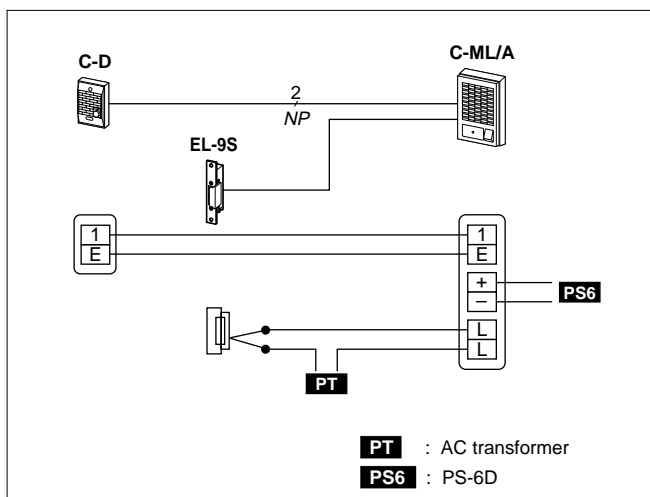
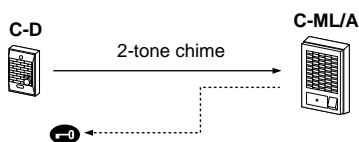


EL-9S
Door release
→ P.97



Boxed set
C-123LPU/A Blister pack
C-123L/A Box

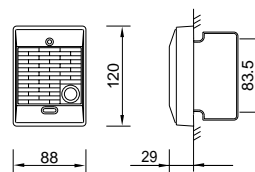
Communication network & wiring



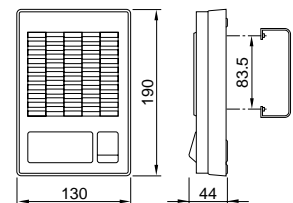
System components

C-123LPU/A: Blister pack (C-D & C-ML/A)
C-123L/A: Boxed set (C-D & C-ML/A)
6V DC power supply: PS-6D or Batteries

C-D



C-ML/A



Specifications (C-123L/A)

Power source	6V DC, 85mA	
Power supply	PS-6D or Batteries "C" (SUM-3) x 4 pcs.	
Communication	Door calls in w/2-tone chime, invariable. Press TALK button to reply, release to listen. Timer auto shuts off circuit.	
Wiring	2 parallel wires to door, non-polarized (+ 2 for EL-9S).	
Distance	0.65mmø	0.8mmø
• Master to door	75m	115m