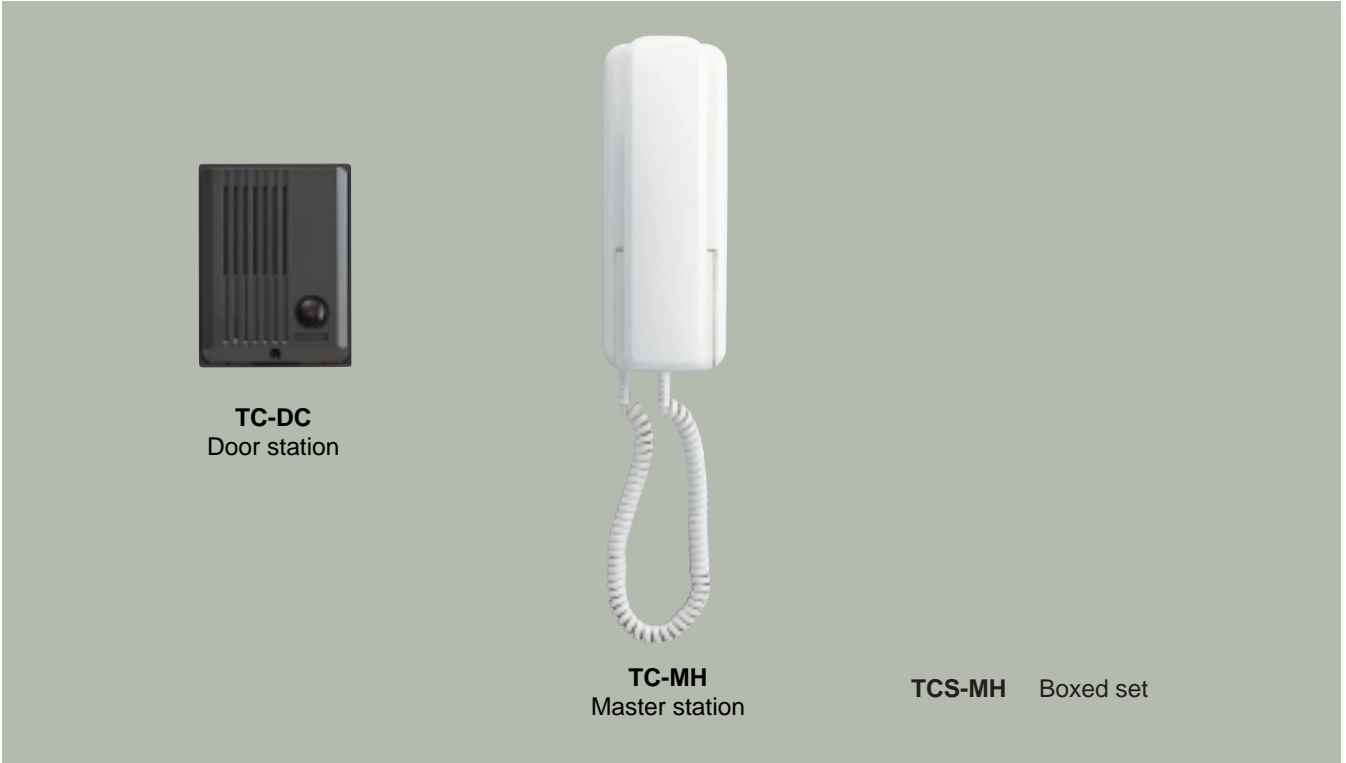




TCS-MH

- Chime-phone intercom set, battery-operated
- Adjustable chime volume
- Battery status indicator

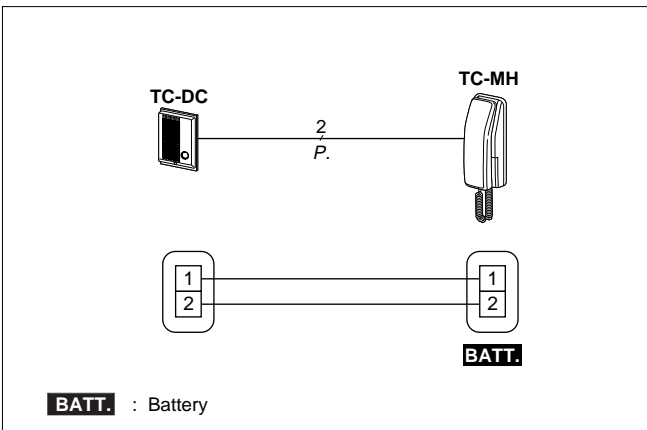
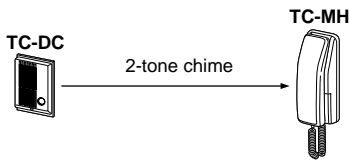


TC-DC
Door station

TC-MH
Master station

TCS-MH Boxed set

Communication network & wiring

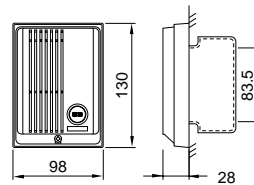


BATT. : Battery

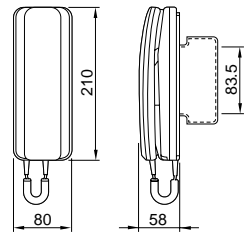
System components

TCS-MH: Boxed set (TC-DC & TC-MH)

TC-DC



TC-MH



Specifications (TCS-MH)

Power source	6V DC, 70mA	
Power supply	Batteries "AA" (SUM-3) x 4 pcs	
Communication	Door calls in w/2-tone chime, adjustable. Pick up to reply.	
Wiring	2 parallel wires, polarized.	
Distance	0.65mmø	0.8mmø
• TC-MH to door	150m	230m