

MAGNALOCK OVERVIEW

❖ FIRE SAFETY

Unlocks instantly in the event of power failure of fire panel deactivation.

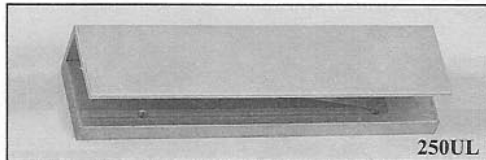
❖ LIFE SAFETY

Outlasts the building itself.conforms to building code standards and ensures instant release.

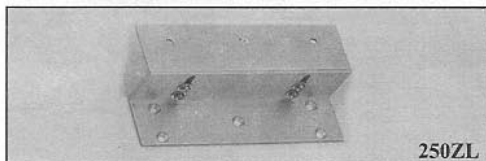
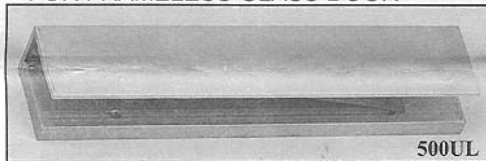
❖ FAIL SAFETY

Incorporates mechanism sensitive to electrical overload, overheating, electrocution, insulation and burglary resistance.

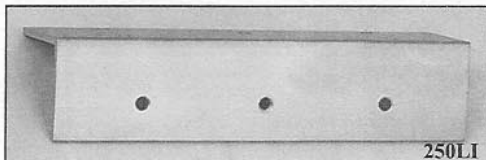
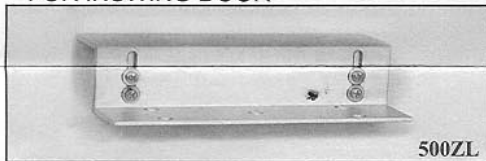
❖ **MAGNALOCKS** consist of an electromagnet mounted on a fixed frame and a strike plate mounted on a moving door, when the door closes in automatically self-aligns with the magnet. The door is strongly secured by magnetic force and release is only achieved by switching off the power to the magnet.



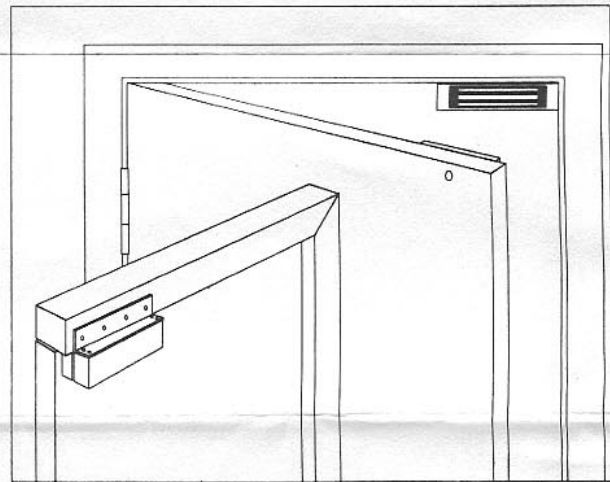
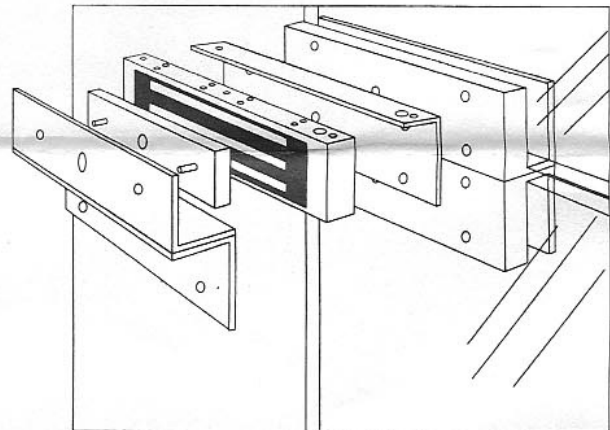
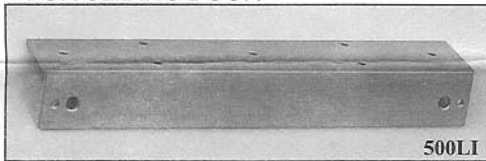
FOR FRAMELESS GLASS DOOR



FOR INSWING DOOR



FOR SLIDING DOOR



MODEL	5207S	5207SD	A5207	A5207D	A5207M	A5207MD	5208M	A5207L
INPUT VOLTAGE	12VDC/24VDC	12VDC/24VDC	12VDC/24VDC	12VDC/24VDC	12VDC/24VDC	12VDC/24VDC	12VDC/24VDC	12VDC/24VDC
CURRENT DRAW	300mA/150mA	300mA/150mA	480mA/240mA	480mA/240mA	480mA/240mA	480mA/240mA	480mA/240mA	480mA/240mA
HOLDING FORCE	150Kg	150Kg	250Kg	250Kg	250Kg	250Kg	250Kg	250Kg
FEATURE	Fail-Safe	Fail-Safe	Fail-Safe	Fail-Safe	Fail-Safe	Fail-Safe	Fail-Safe	Fail-Safe
BODY DIMENSION	L170xW35xH21	L340xW35xH21	L250xW42xH25	L500xW42xH25	L250xW42xH25	L500xW42xH25	L230xW38xH26	L185xW60xH15
MOUNTING TYPE	Surface	Surface	Surface	Surface	Surface	Surface	Concealed	Surface
ARMATURE SIZE	L130xW33xH11	L130xW33xH11	L180xW38xH11	L180xW38xH11	L180xW38xH11	L180xW38xH11	L180xW38xH11	L266xW66xH40
USE OF DOOR	SINGLE DOOR	DOUBLE DOOR	SINGLE DOOR	DOUBLE DOOR	SINGLE DOOR	DOUBLE DOOR	SINGLE DOOR	SINGLE DOOR