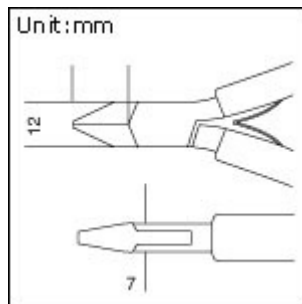


OAL.: 110



Material	HRC	Application	Weight (g)	Individual Packing
AISI420	45±3	Hard steel: 0.8mm	74	Blister Card
		Soft steel: 1.3mm		
		Copper: 2.0mm		