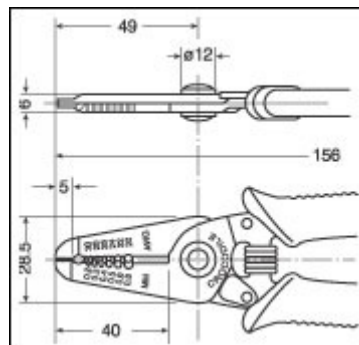


OAL: 156



Material	HRC	Applycation(AWG)	Applycation(MM)	Weight (g)	Individual Packing
SK7	50±3°	20,18,16,14,12,10	0.8,1.0,1.3,1.6,2.0,2.6	120	Blister Card