

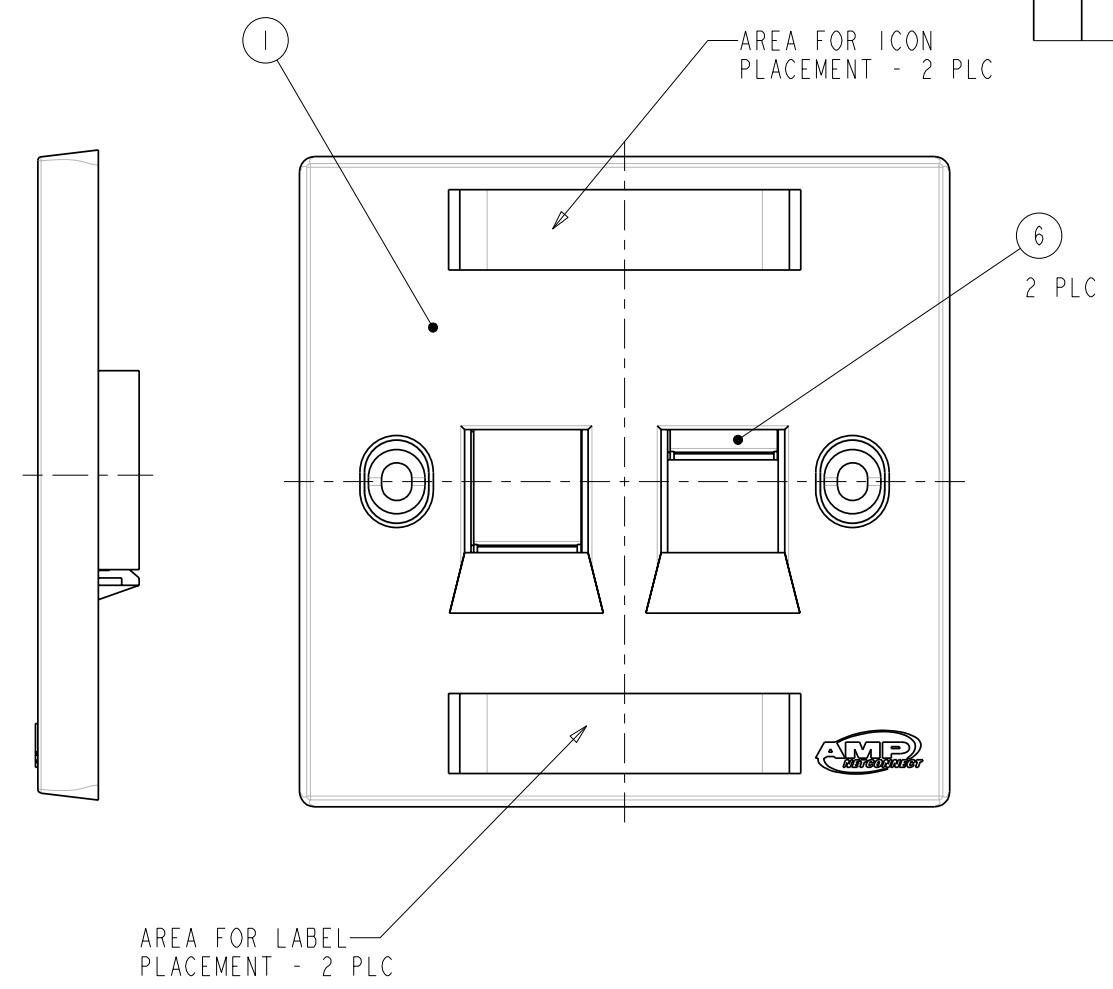
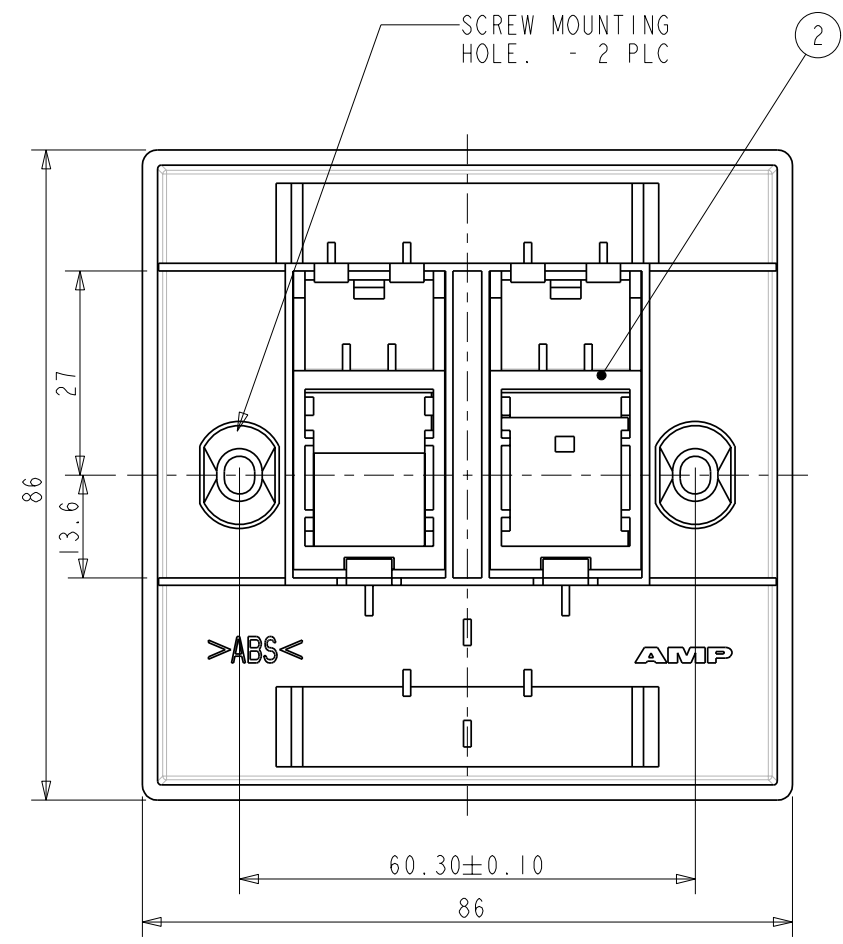
THIS DRAWING IS UNPUBLISHED. RELEASED FOR PUBLICATION 20

© COPYRIGHT 20 BY TYCO ELECTRONICS CORPORATION. ALL RIGHTS RESERVED.

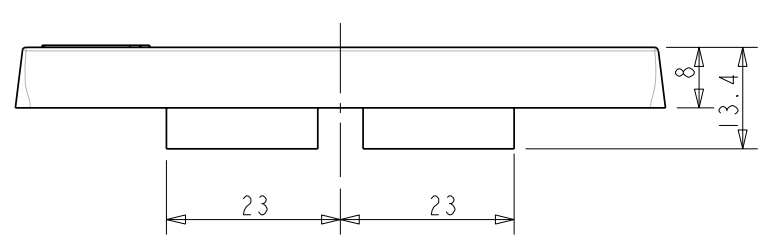
LOC ES DIST 00

REVISIONS

P	LTR	DESCRIPTION	DATE	DWN	APVD
	0	RELEASED	28DEC2005	EW	EW



- FACEPLATE KIT 1859050-1(WHITE) CONSIST OF THE FOLLOWING ITEM:
 FACEPLATE ASSEMBLED WITH JACK HOLDER AND SPRING SHUTTER ASSEMBLIES - 1 PC
 SCREW COVER - 2 PCS
 SCREW, M3.5 x 0.35 X 25mm - 2 PCS
 LABEL COVER - 2 PCS
- SCREWS, SCREW COVERS AND LABEL COVERS ARE PACKED SEPARATELY IN A BAG
- ITEMS NO. 3, 4, 5 AND 7 NOT SHOWN IN DRAWING



MATERIAL	COMPONENT	ITEM NO	
STEEL, STAINLESS	SHUTTER SPRING	7	3
ABS UL94V-0	SHUTTER	6	
BRASS, NICKEL PLT	SCREW, M3.5x0.35x25mm, GB819-85	5	3
ABS UL94V-0	SCREW COVER	4	3
ACRYLIC UL94V-0	LABEL COVER	3	3
ABS UL94V-0	JACK HOLDER	2	
ABS UL94V-0	FACEPLATE	1	

<small>THIS DRAWING IS A CONTROLLED DOCUMENT FOR TYCO ELECTRONICS CORPORATION IT IS SUBJECT TO CHANGE AND THE CONTROLLING ENGINEERING ORGANIZATION SHOULD BE CONTACTED FOR THE LATEST REVISION.</small>		DWN E. WANG 28DEC2005 CHK - APVD E. WANG 28DEC2005 PRODUCT SPEC 108-67002 APPLICATION SPEC 408-67002 WEIGHT -	tyco Electronics Tyco Electronics Corporation Raychem Shanghai
DIMENSIONS: mm 	TOLERANCES UNLESS OTHERWISE SPECIFIED: 0 PLC ±0.50 1 PLC ±0.20 2 PLC ±0.10 3 PLC ± 4 PLC ± ANGLES ± FINISH -	NAME FACEPLATE KIT, DUAL PORTS, 110 CONNECT, B.S. STYLE SIZE A3 CAGE CODE 00779 DRAWING NO 1859050 RESTRICTED TO -	CUSTOMER DRAWING SCALE SHEET OF REV 0