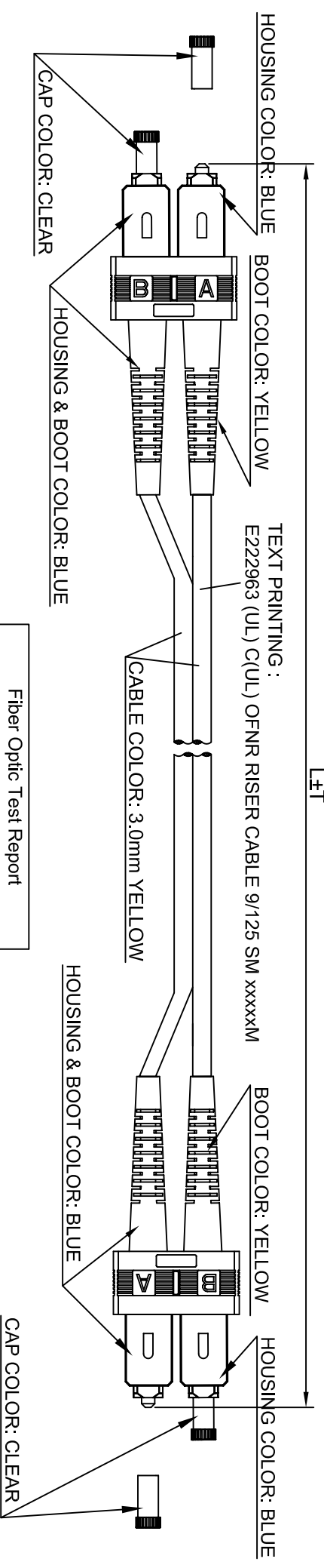


REV.	REVISION	DATE

SC/PC SM CONNECTOR

SC/PC SM CONNECTOR



NOTE:
 1. INSERTION LOSS < 0.3dB,
 2. OPERATION TEMP: -25°C TO +80°C, 5 CYCLES,
 3. DURABILITY: 500 CYCLES,
 4. VIBRATION: 10 TO 55 Hz 1.5mm DOUBLE AMPLITUDE,
 5. TENSILE STRENGTH: 10Kg,
 6. PACKING:

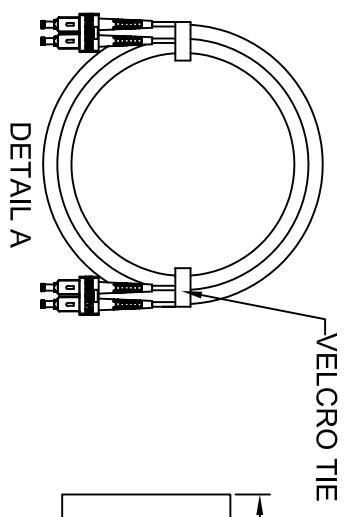
ROUND CABLE METHOD SEE "DETAIL A"		
BAG TYPE	QTY	LABEL
SMALL	1 CABLE & TEST REPORT (DETAIL C)	NONE
MEDIUM	POLYBAG	10 CABLES (1M-10M)
LARGE	POLYBAG	ALL
EACH LARGE POLYBAG IN AN OUTER CARTON		

Fiber Optic Test Report			
Single Mode Patch Cable			
Insertion Loss	A	Printed PASS	Non Printed PASS
	B	Printed PASS	Non Printed PASS
Return Loss	A	Printed PASS	Non Printed PASS
	B	Printed PASS	Non Printed PASS
>55dB	A	Printed PASS	Non Printed PASS
>55dB	B	Printed PASS	Non Printed PASS

TEST REPORT

MADE IN CHINA

FIBER OPTIC PATCH CABLE
 8.9/125 Single Mode
 Yellow Duplex PVC Zip Cord
 SC to SC Duplex Connectors



FCSCSCS**M
 QTY: 10PCS

RoHS COMPLIANT

CHART

FCSCSCS03M	30	30	98.4	98.4'(30000)	±4'(±100)
FCSCSCS20M	20	20	65.6	65.6'(20000)	±4'(±100)
FCSCSCS15M	15	15	49.2	49.2'(15000)	±4'(±100)
FCSCSCS10M	10	10	32.8	32.8'(10000)	±4'(±100)
FCSCSCS07M	07	7	22.97	22.97'(7000)	±2'(±50)
FCSCSCS05M	05	5	16.4	16.4'(5000)	±2'(±50)
FCSCSCS03M	03	3	9.84	9.84'(3000)	±2'(±50)
FCSCSCS02M	02	2	6.56	6.56'(2000)	±2'(±50)
FCSCSCS01M	01	1	3.28	3.28'(1000)	±2'(±50)
PART NO.	**	X	##	L	T

CUSTOMER APPROVAL:

DATE:

TRENDIX TRENDIX INDUSTRIES (DONG GUAN) CO., LTD.

UNITS:	Inches [mm]	TITLE:	FIBER OPTIC CABLE DUPLEX SINGLEMODE 9/125, SC TO SC YELLOW PVC JACKET, X METERS.
DRAWN BY:	Liang	CUSTOMER:	POMTOP
CHECKED BY:	DATE: 2011/10/20	CUSTOMER PART NO.:	FCSCSCS**M
APPROVED BY:	DATE:	Ref. NO.:	PP1110003
SALE BY:	DATE:	TRENDIX PART NO.:	A