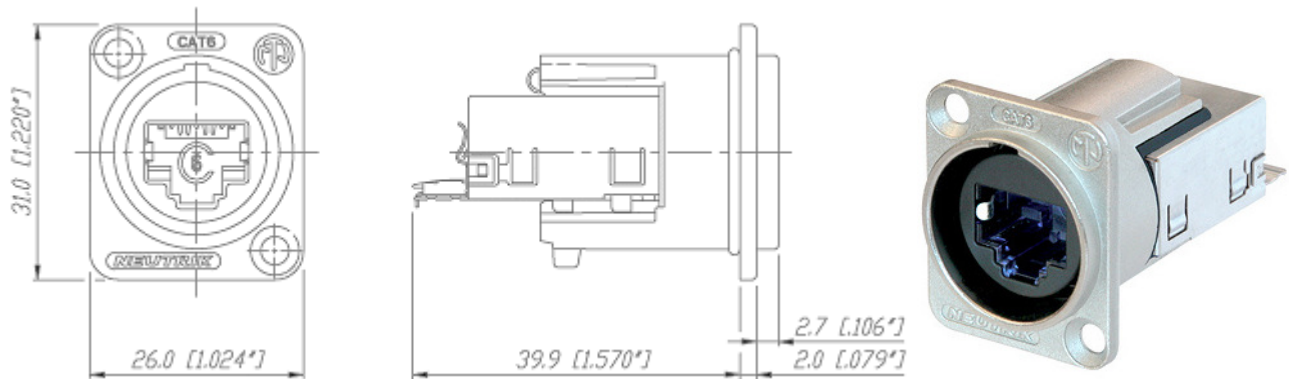




## Neutrik – NE8FDY-C6



<b>Product</b>	
Connector Type	RJ45
Gender	Female
<b>Electrical</b>	
Contact Resistance	< 10 mΩ
Dielectric Strength	1 kVdc
Frequency Range	1 – 250 MHz
Insulation Resistance	> 0.5 GΩ
Rated Current per Contact	1,5 A
Rated Voltage	50 V
Transmission Performance	CAT 6
Standard Compliance	TIA/EIA 586B, IEC11801
<b>Mechanical</b>	
Insertion Force	≤ 40 N
Withdrawal Force	≤ 20 N
Lifetime	> 1000 mating cycles
Panel Thickness	Max. 3 mm 0.12"
Wire Size	0.5 - 0.65 mm <sup>2</sup>
Wire Size	24 – 22 AWG
Wiring	IDC Punch Down terminals
Locking Device	Push-Pull
Mounting Direction	Front & Rear
Chassis Shape	D

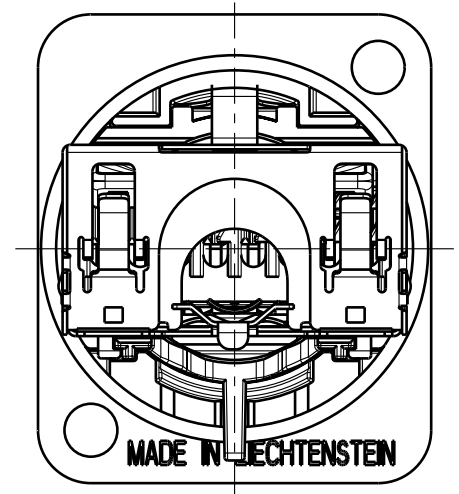
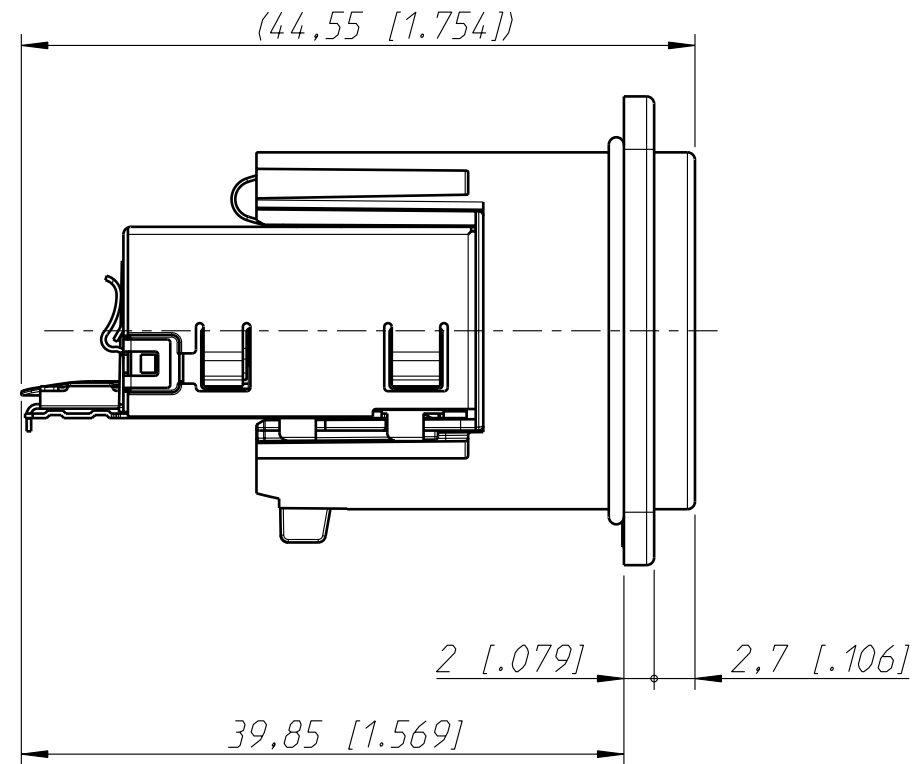
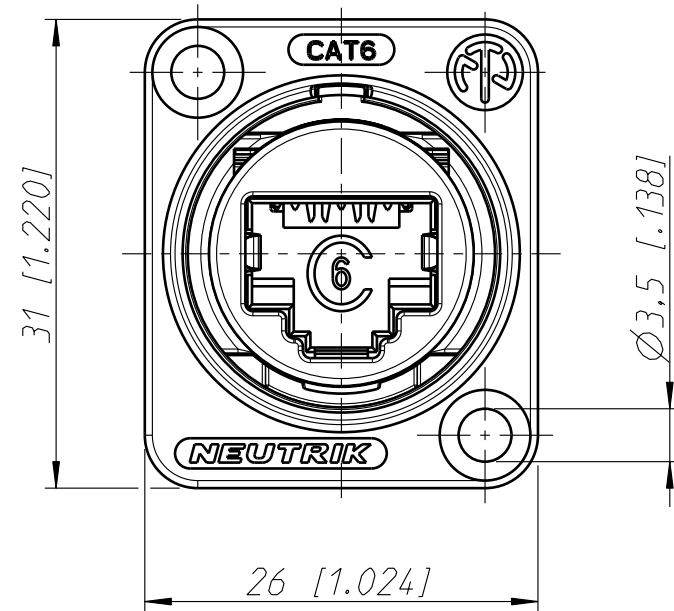
<b>Material</b>	
Contact Plating	0.7 µm Au over 1.2 µm Ni plating
Contacts	Bronze (CuSn8)
Insert	Polycarbonate
Shell	Zinc diecast (ZnAl4Cu1)
Shell Plating	Nickel
Strain Relief	Stainless steel
<b>Environmental</b>	
Flammability	UL 94 HB
Protection Class	IP 65
Temperature Range	-10 °C to +60 °C

D-shape CAT6 panel connector with Nickel housing

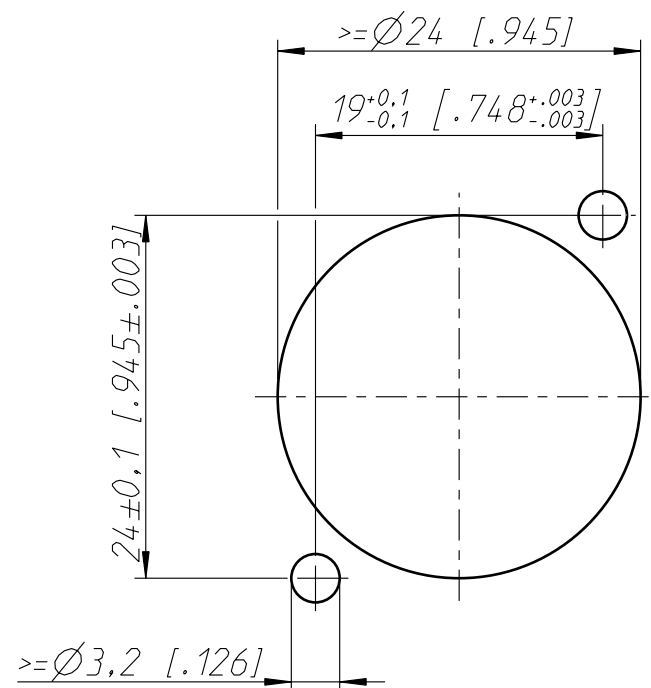
The etherCON CAT6 D-shape panel connectors with metal housing and secure latching system offer a tool-free and gas-tight IDC termination, which makes cable assembly easy and fast.

### **Features & Benefits**

- CAT6 compliant # data rate up to 10 GBit/s
- CAT6 performance # fast data transmission and high bandwidth applications
- CAT6 specifications according TIA / EIA 568B, ISO / IEC 11801, EN 50173
- IP65 - Dust and waterproof in mated condition
- Shielded system - high noise immunity and EMI protection
- Push Pull mating - secure and proven locking system
- Ground lead jumper on panel connector with selectable grounding option
- Gas-tight IDC termination without tool



Frontplattenausschnitt (Rückseite)  
panel cut out (rear side)



Allgemeintoleranzen ISO 2768-m	Werkstoff KEIN_MAT	Massstab: 2:1 (A3)	Gezeichnet	24.02.06	Ender
			Freigegeben	-	-
Zeichnung urheberrechtlich geschuetzt (DIN 34) (C)	-		Geaendert	-	-
			Aend.-Nr.	-	Aend.-Index -
Benennung NE8FDY-C6 NE8FDY-C6			Ersatz fuer:	Blatt 1 von 1 Bl.	
NEUTRIK AG FL-9494 SCHAAN			Zeichn. Nr.	ST-NE8FDY-C6	