



Neutrik – NAUSB-W



Product	
Connector Type	Adapter
Gender	Female
Electrical	
Standard Compliance	USB 2.0
Mechanical	
Mounting Direction	Front
Chassis Shape	D
Material	
Contact Plating	Au
Contacts	Brass (CuZn39Pb3)
Insert	PBTP 15 % GR
Shell	Zinc diecast (ZnAl4Cu1)
Shell Plating	Nickel
Environmental	
Flammability	UL 94 V-0
Temperature Range	-25 °C to +85 °C

Reversible USB genderchanger (type A and B), Nickel D-housing

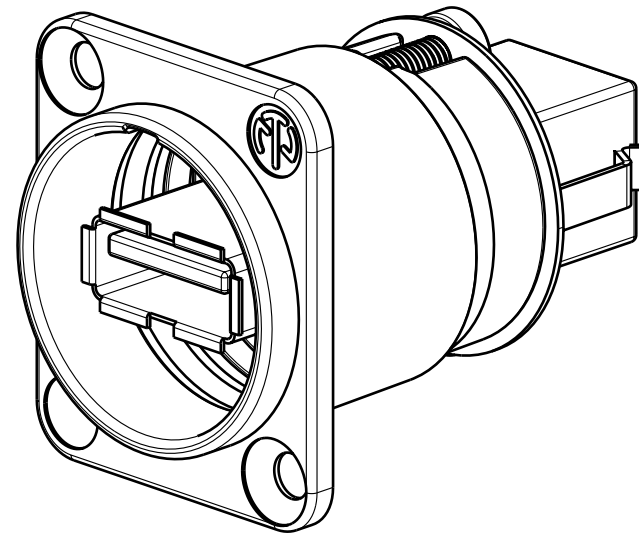
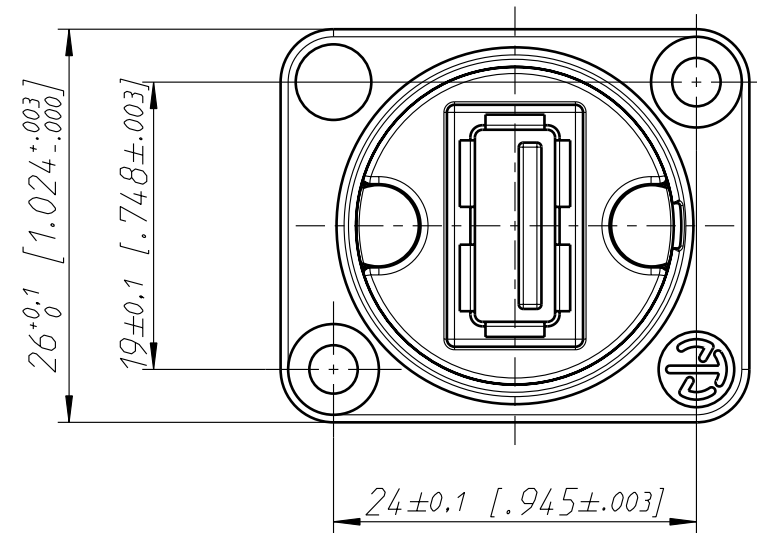
Due to the rising digitisation the interface problems between audio/video networks, IT equipment, MP3 camcorders, etc. increase.

Neutrik's reversible USB gender changer, mounted in the standardized D-shape housing, solves this problem.

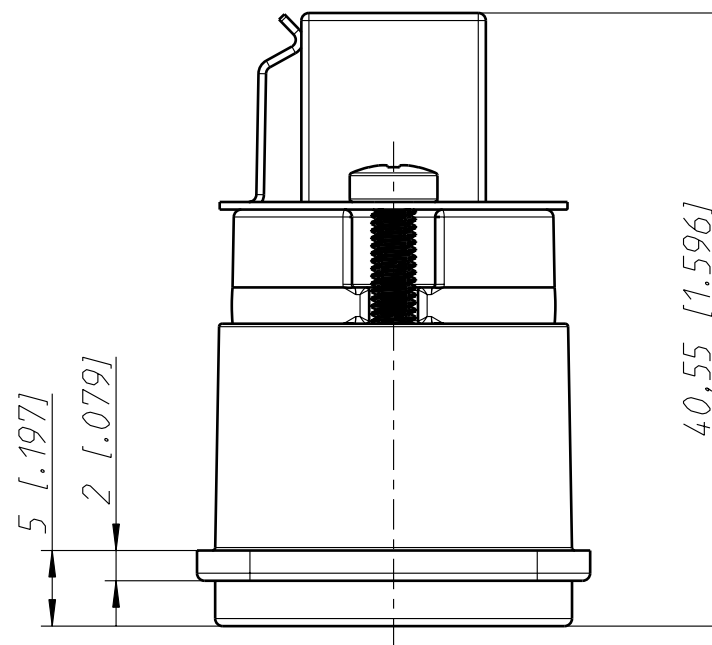
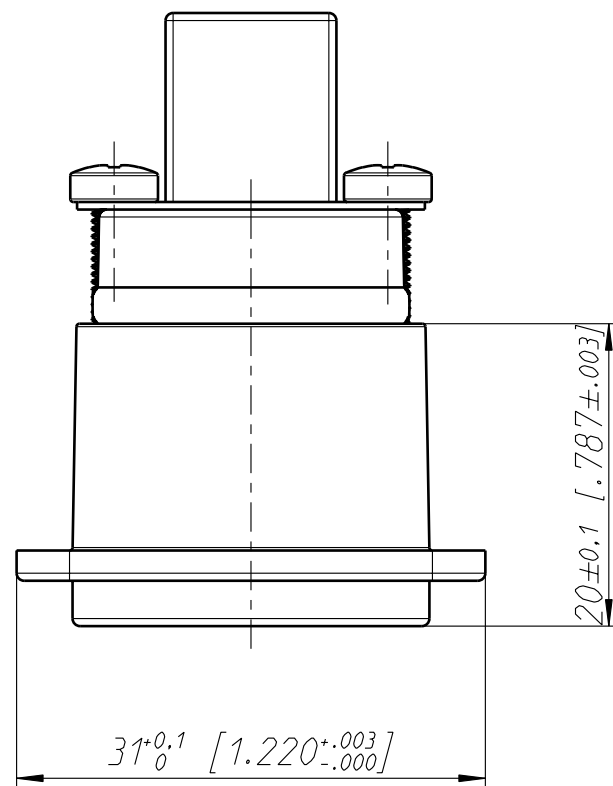
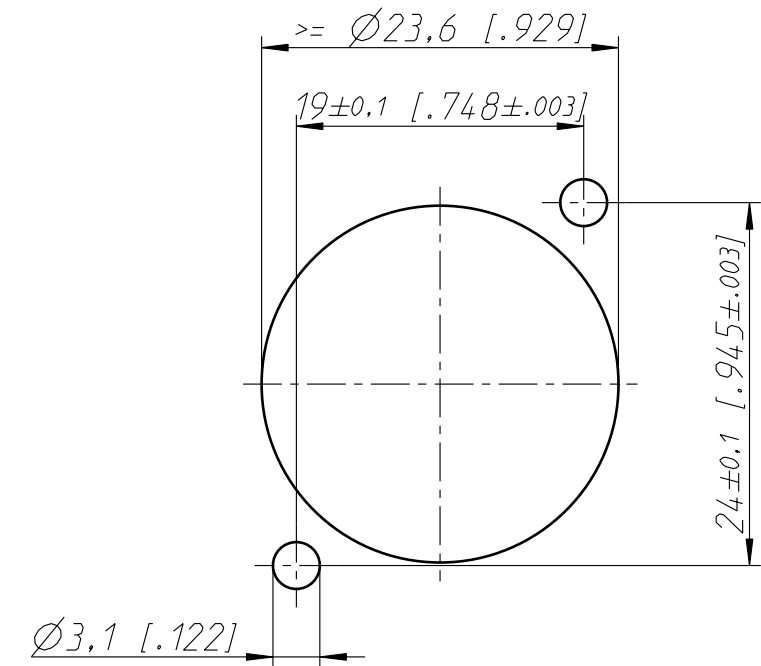
Features & Benefits



- Ideal for audio networking and integration of computer based equipment into audio systems
- Dust and water resistant acc. to IP65 safety standard in combination with NKUSB-*
- Optional screen to chassis grounding
- USB 2.0 gender changer type A-B (B-A)
- Reversible insert offering type A or B on front or rear end
- Universally accepted standard D-shape housing



Frontplattenausschnitt (Rückseite)
Panel cut out (rear side)



Allgemeintoleranzen ISO 2768-m	Werkstoff	Massstab:	Datum	Name
Zeichnung urheberrechtlich geschuetzt (DIN 34) (C)	-	2:1 (A3)	Gezeichnet 05.05.09	Mijatovic
	-	-	Freigegeben	-
	-	-	Geaendert	-
Benennung NAUSB-W NAUSB-W			Aend.-Nr. -	Aend.-Index -
NEUTRIK AG FL-9494 SCHAAN			Ersatz fuer:	Blatt 1 von 1 Bl.
			Zeichn. Nr. ST-NAUSB-W	