

# NAHDMI-W

HDMI 1.3 feedthrough adapter, D-shape housing

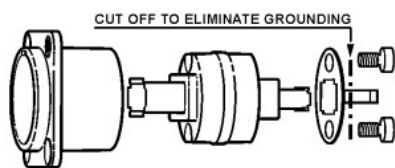
Neutrik's HDMI solution for the transmission of any digital TV and PC video format including high-definition video (HDTV) can be integrated in networks very easy.



## Features & Benefits

- To transmit any digital TV and PC video format including high-definition video (HDTV).
- HDMI 1.3 feedthrough adapter with 19-pole HDMI receptacle at both ends
- Dust and water resistant acc. to IP65 safety standard in combination with NKHDMI-\*
- Universally accepted standard D-shape housing
- Removable screen to chassis grounding:

## Image gallery



## Technical Information [hide](#)

### Product

Title NAHDMI-W

Connection Type Adapter

Gender female

### Mechanical

Mounting direction front

Chassis shape D

### Material

Contact plating Au

Contacts Brass (CuZn39Pb3)

Insert ABS

Shell Zinc diecast (ZnAl4Cu1)

Shell plating Nickel

### Environmental

Flammability UL 94 V-0

Standard compliance HDMI 1.3a specifications

Temperature range

-25 °C to +85 °C

---

Accessories

---



DSS-\*



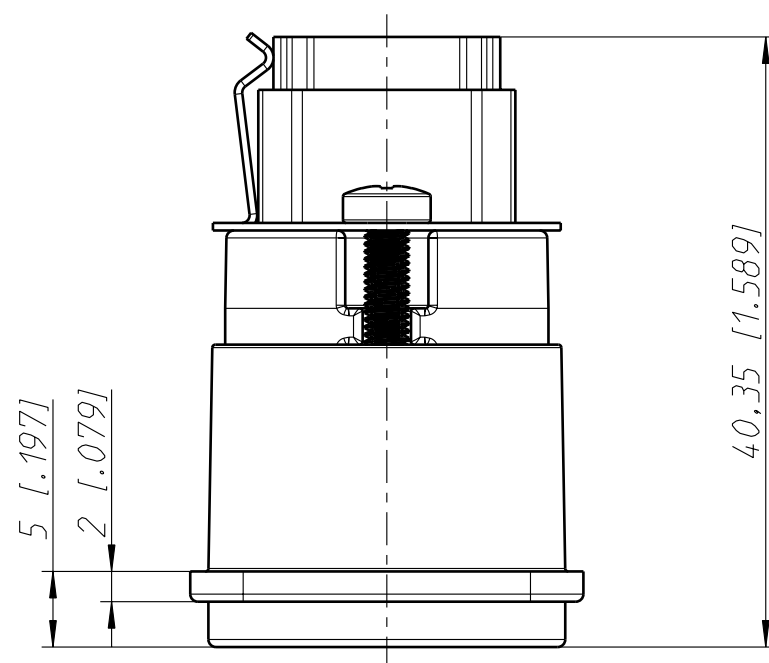
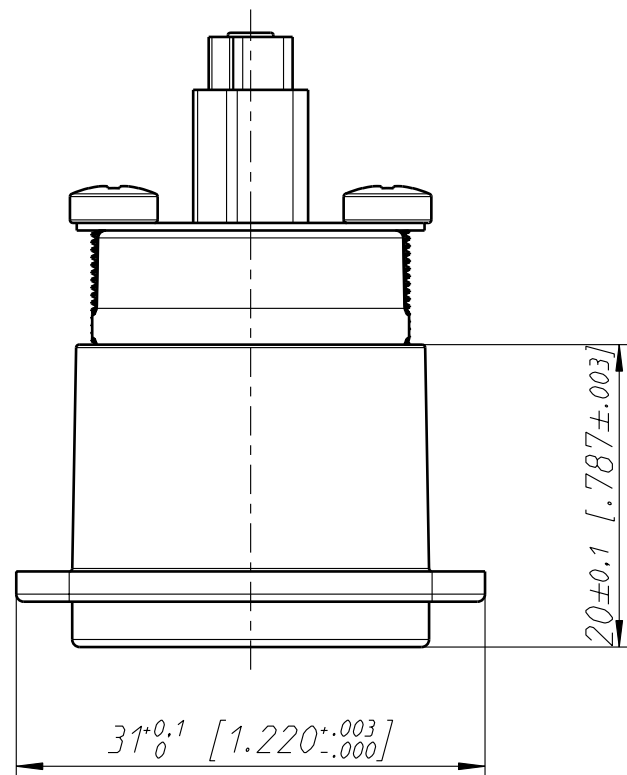
MFD



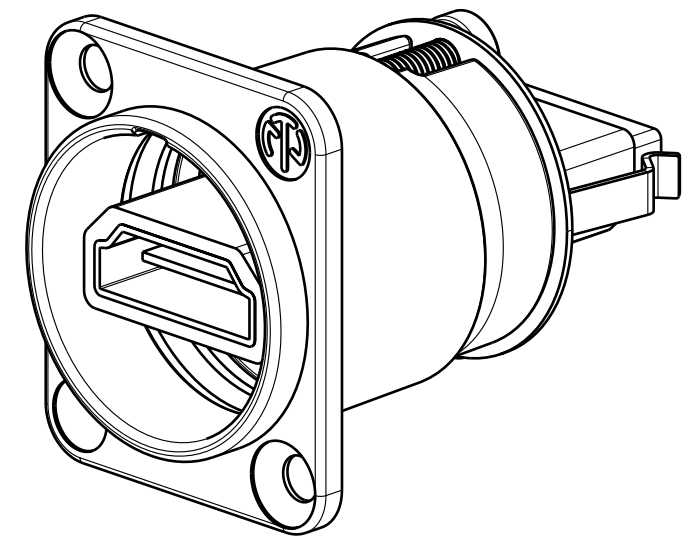
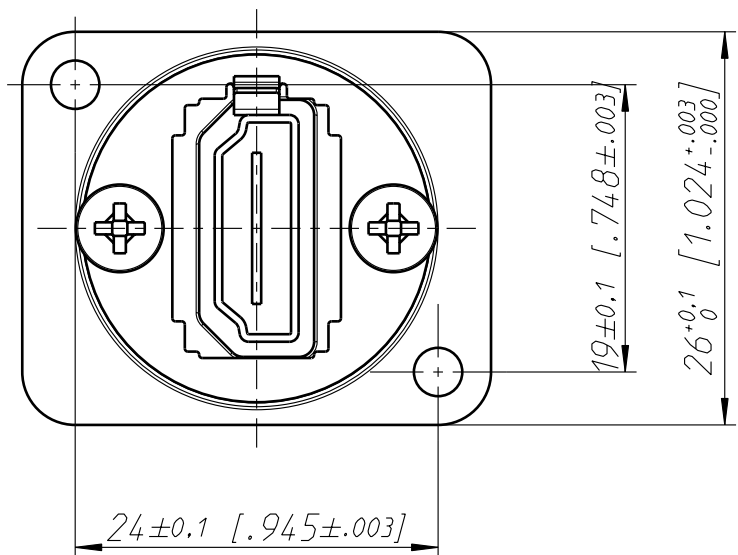
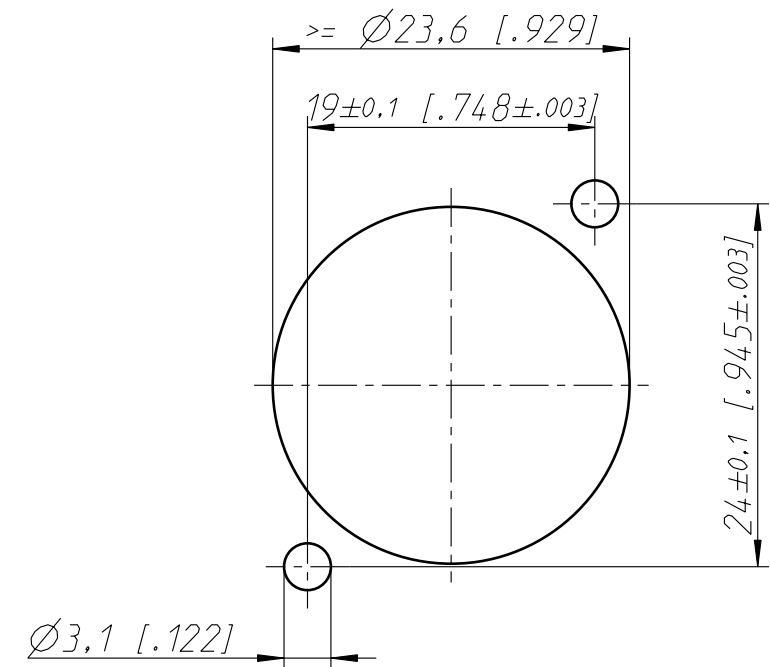
SCDP-\*



SCDX



Frontplattenausschnitt (Rückseite)  
Panel cut out (rear side)



Allgemeintoleranzen ISO 2768-m	Werkstoff	Massstab:	Datum	Name
Zeichnung urheberrechtlich geschuetzt (DIN 34) (C)	-	2:1 (A3)	14.05.08	Mijatovic
Benennung	NA1394-6-W NAHDMI-W		Gezeichnet	
			Freigegeben	
			Geaendert	-
			Aend.-Nr.	Aend.-Index
			-	-
			Ersatz fuer:	Blatt 1 von 1 Bl.
			Zeichn. Nr.	
				ST-NAHDMI-W