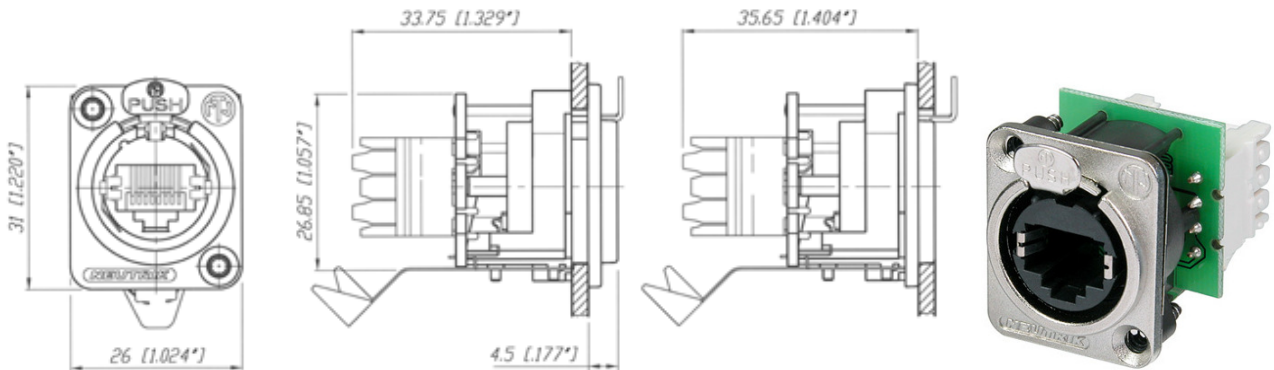


Neutrik – NE8FDV-Y110



Product	
Connector Type	RJ45
Gender	Female
Electrical	
Contact Resistance	< 10 mΩ
Dielectric Strength	1 kVdc
Frequency Range	1 - 100 MHz
Insulation Resistance	> 0.5 GΩ
Rated Current per Contact	1,5 A
Rated Voltage	50 V
Transmission Performance	CAT 5e
Standard Compliance	TIA/EIA 586B, IEC11801
Mechanical	
Insertion Force	≤ 20 N
Withdrawal Force	≤ 20 N
Lifetime	> 1000 Mating Cycles
Panel Thickness	Max. 4 mm 0.16"
Wire Size	0.14 - 0.5 mm ²
Wire Size	26 – 20 AWG
Wiring	IDC 110 Punch Down Terminals (2 Mounting Screws Included)
Locking Device	Latch Lock
Mounting Direction	Front & Rear
Chassis Shape	D

Material	
Contact Plating	0.2 µm Au over Ni plating
Contacts	Bronze (CuSn8)
Insert	PBTP 15 % GR
Shell	Zinc diecast (ZnAl4Cu1)
Shell Plating	Nickel
Strain Relief	CuZn35Pb2, Tin plated
Environmental	
Flammability	UL 94 V-0
Temperature Range	-30 °C to +80 °C

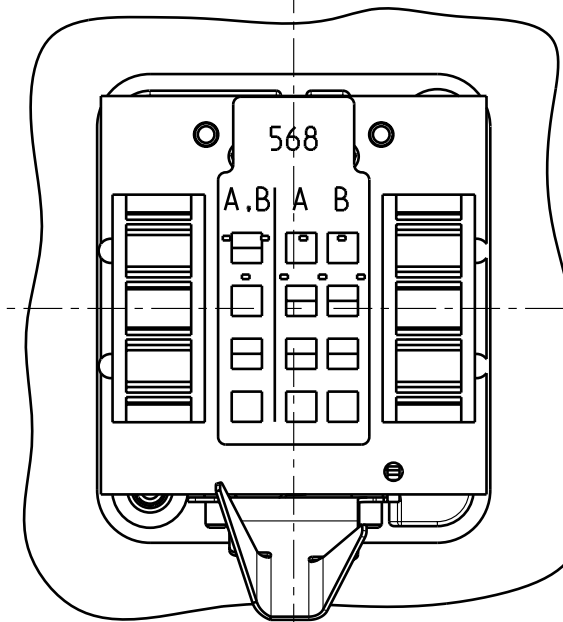
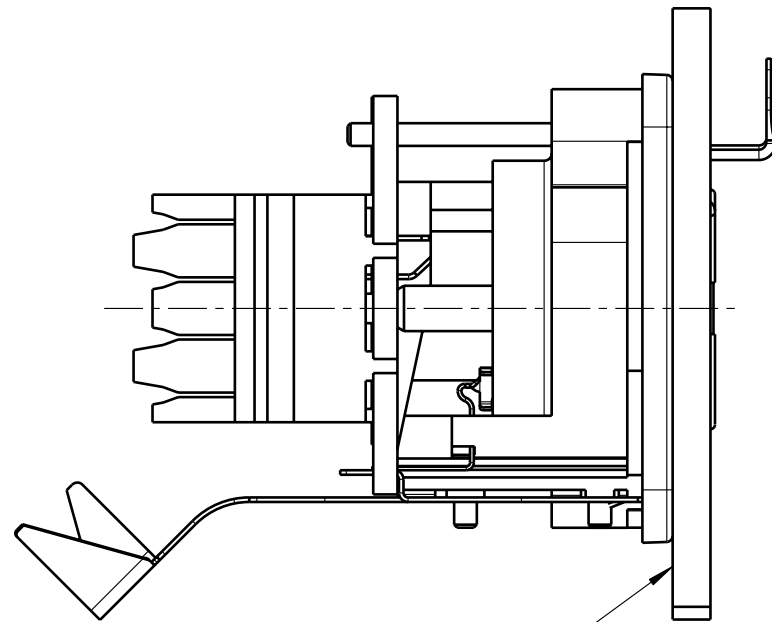
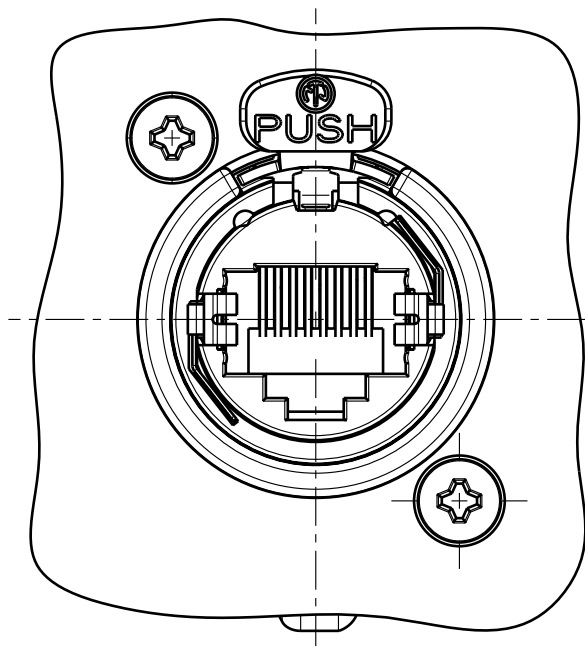
The etherCON Series is a ruggedized and lockable RJ45 connector system, optimized for proaudio, video and lightning network applications. The chassis connectors are shaped to fit into standardized panels out of the entertainment industry.

The D-Series offers the most rugged design of the etherCON series and is perfectly suitable for panel mount and the installer market.

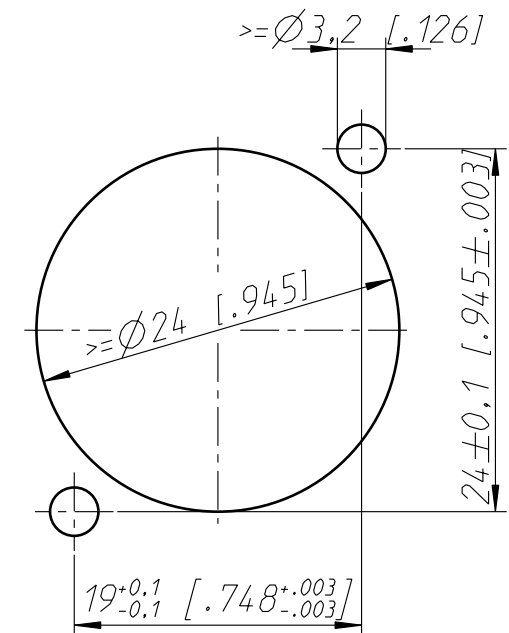
Panel mount receptacle with IDC 110 punch down terminals, D-shape metal flange with latch lock, max. panel thickness 4 mm. Mounting screws included.

Features & Benefits

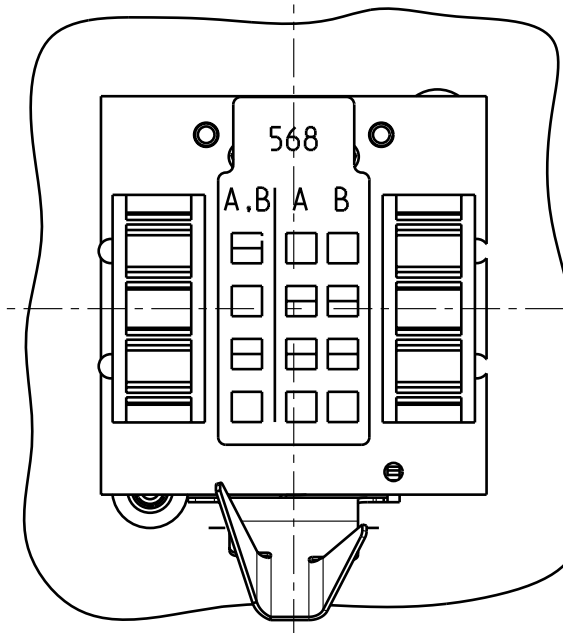
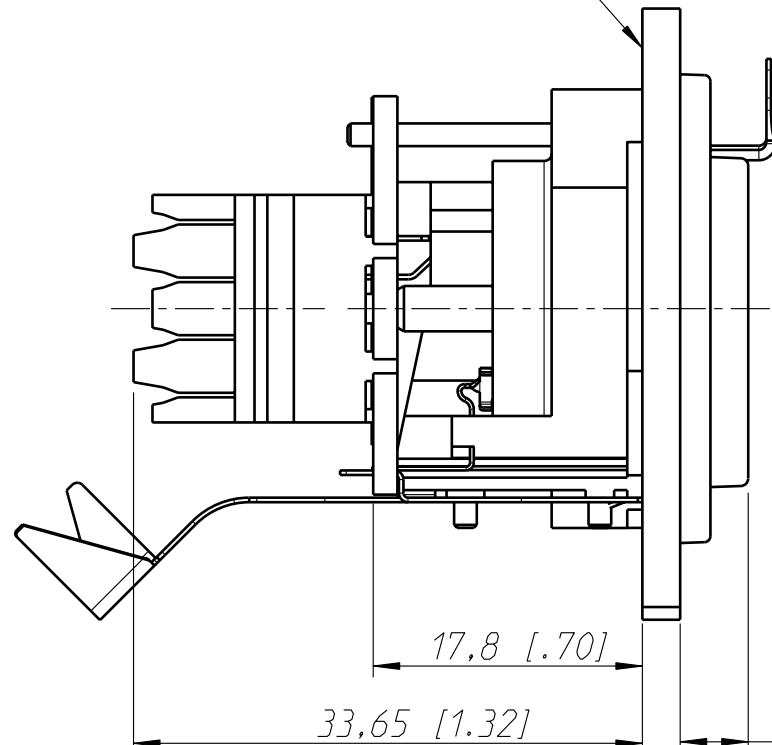
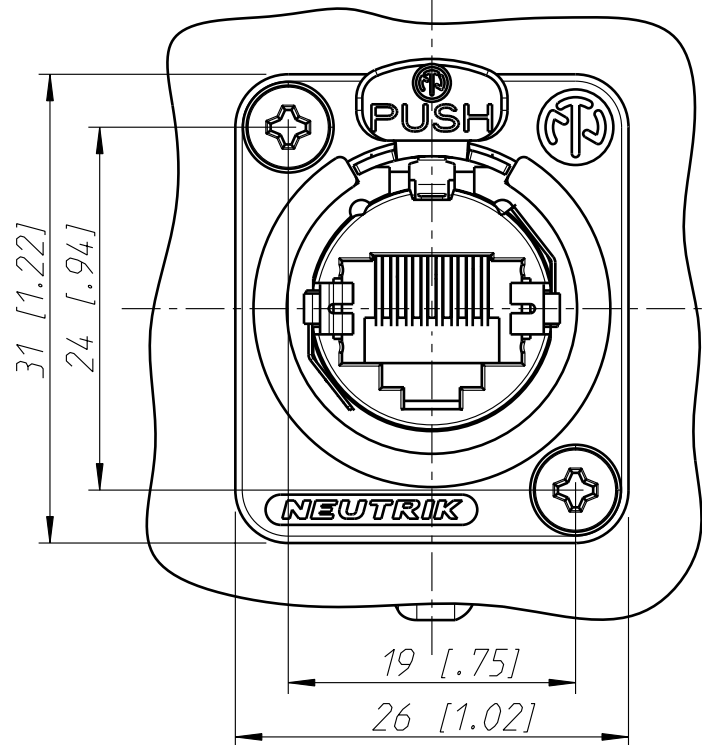
- Accommodates NE8MC* or any standard RJ45 plug
- Approved latch lock system
- Mountable from the front or rear of the panel
- Complies with Cat 5e according to TIA / EIA 568B and ISO / IEC 11801 standard
- Selectable ground - panel connection
- Easy and quick mounting using 110 type punch down terminals



Frontplattenausschnitt (Rueckseite)
panel cut out (rear side)



Frontplatte
front panel



Allgemeintoleranzen ISO 2768-m	Werkstoff	Massstab:	Datum	Name	
Zeichnung urheberrechtlich geschuetzt (DIN 34) (C)	-	2:1 (A3)	Gezeichnet	22.11.01	Payr
			Freigegeben	-	-
			Geaendert	04.02.05	Payr
Benennung			Aend.-Nr.	Aend.-Index	
NE8FDV-Y110 NE8FDV-Y110			18-2005	-	
			Ersatz fuer:	Blatt 1 von 1 Bl.	
NEUTRIK AG FL-9494 SCHAAN			Zeichn. Nr.	ST-NE8FDV-Y110	