

## Neutrik – NE8MC-1



<b>Product</b>	
Connector Type	RJ45
Gender	Male
<b>Mechanical</b>	
Cable O.D.	Max. 8 mm 0.315"
Insertion Force	≤ 20 N
Withdrawal Force	≤ 20 N
Lifetime	> 1000 Mating Cycles
Locking Device	Latch Lock
<b>Material</b>	
Boot	Polyamide (PA 6)
Bushing	Polyamide (PA 6 15% GR)
Shell	Zinc Diecast (ZnAl4Cu1)
Shell Plating	Collinox
Strain Relief	Polyacetal (POM)
<b>Environmental</b>	
Flammability	UL 94 HB
Temperature Range	-30 °C to +80 °C
<b>Mobile Cables</b>	
Important	Cable connectors do not include RJ 45 plug. RJ 45 cable assembly must be provided by end-user!



## Neutrik – NE8MC-1

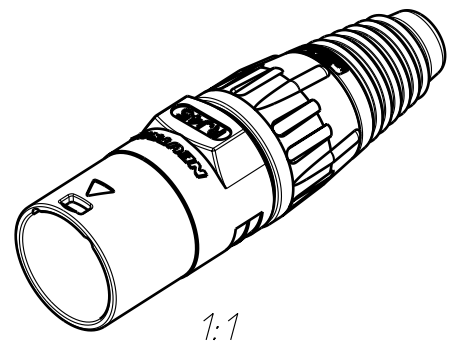
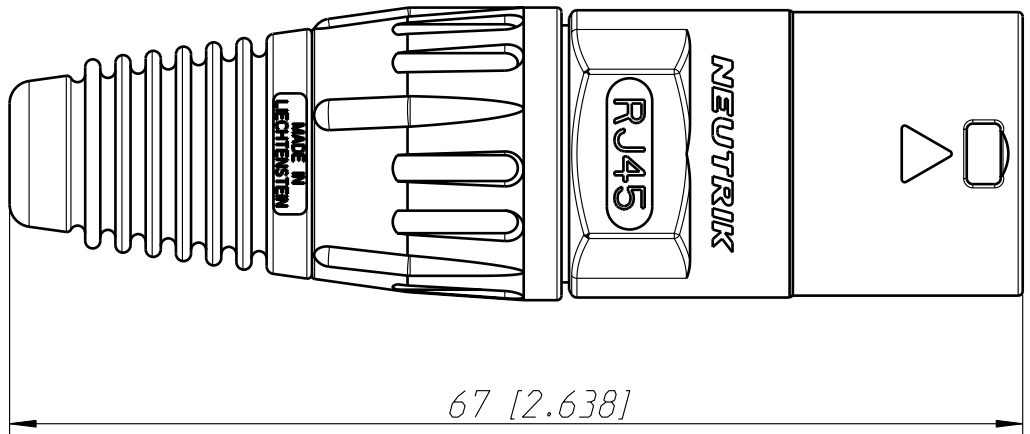
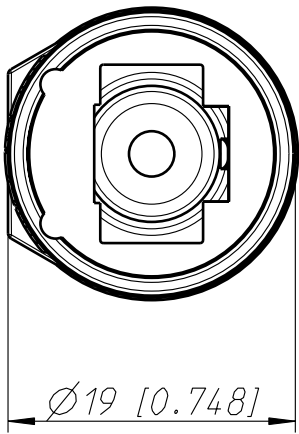


Cable connector carrier consists of a shell, fixing disk, chuck and bush. The boot (same as X-Series) is suitable for cable diameters from 3.5 - 8 mm. For non preassembled cables only. Cable connector carrier does not include a RJ45 plug.

The etherCON cable connector carrier upgrades a conventional RJ45 connector to an extremely robust lockable solution.

### Features & Benefits

- The RJ45 system for harsh and demanding environment
- Cable connector carrier accepts the most common RJ45 plugs
- Rugged diecast shell and unique chuck type strain relief
- Protects Ethernet connections in a variety of commercial type applications and is designed to prevent breakage of the fragile components of standard RJ 45 connectors
- O-ring gasket to achieve IP54 water protection
- Accessories include color coded boots in 9 standard colors



Allgemeintoleranzen ISO 2768-m	Werkstoff KEIN_MAT	Massstab: 2:1 (A4)	Gezeichnet	12.09.02	Payr
			Freigegeben	-	-
Zeichnung urheberrechtlich geschuetzt (DIN 34) (C)	-		Geändert	20.03.07	Payr
			Aend.-Nr. 24-2007		Aend.-Index C
Benennung EtherCon NE8MC-1			Ersatz fuer:		Blatt 1 von 1 Bl.
NEUTRIK AG FL-9494 SCHAAN			Zeichn. Nr. ST-NE8MC-1		