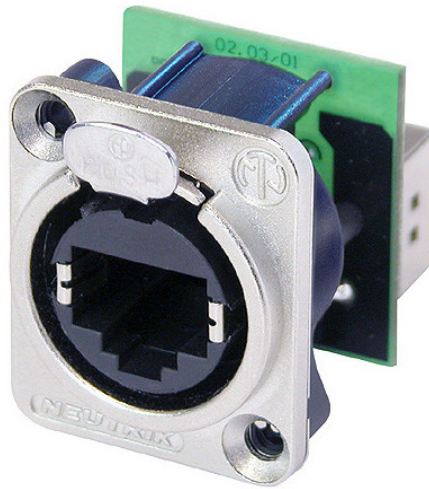


## Neutrik – NE8FDP



<b>Product</b>	
Connector Type	RJ45
Gender	Female
<b>Electrical</b>	
Contact Resistance	< 10 mΩ
Dielectric Strength	1 kVdc
Frequency Range	1 – 100 MHz
Insulation Resistance	> 0.5 GΩ
Rated Current per Contact	1,5 A
Rated Voltage	50 V
Transmission Performance	CAT 5e
Standard Compliance	TIA/EIA 586B, IEC11801
<b>Mechanical</b>	
Insertion Force	≤ 20 N
Withdrawal Force	≤ 20 N
Lifetime	> 1000 mating cycles
Panel Thickness	Max. 4 mm 0.16"
Wiring	Feedthrough (2 mounting screws included)
Locking Device	Latch Lock
Mounting Direction	Front & Rear
Chassis Shape	D

<b>Material</b>	
Contact Plating	0.2 µm Au over Ni plating
Contacts	Bronze (CuSn8)
Insert	PBTP 15 % GR
Shell	Zinc diecast (ZnAl4Cu1)
Shell Plating	Nickel
<b>Environmental</b>	
Flammability	UL 94 V-0
Temperature Range	-30 °C to +80 °C

The etherCON Series is a ruggedized and lockable RJ45 connector system, optimized for proaudio, video and lightning network applications. The chassis connectors are shaped to fit into standardized panels out of the entertainment industry.

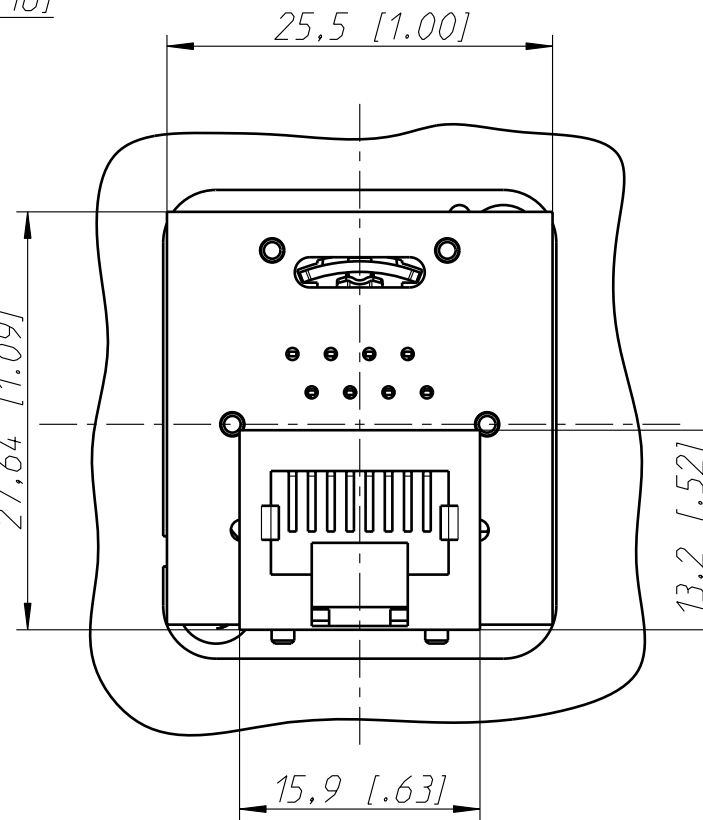
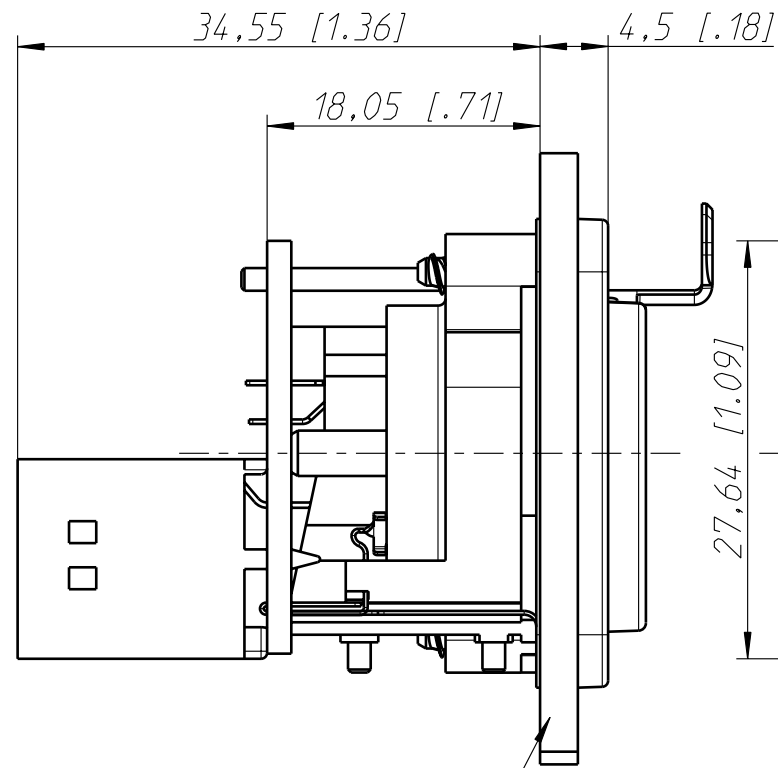
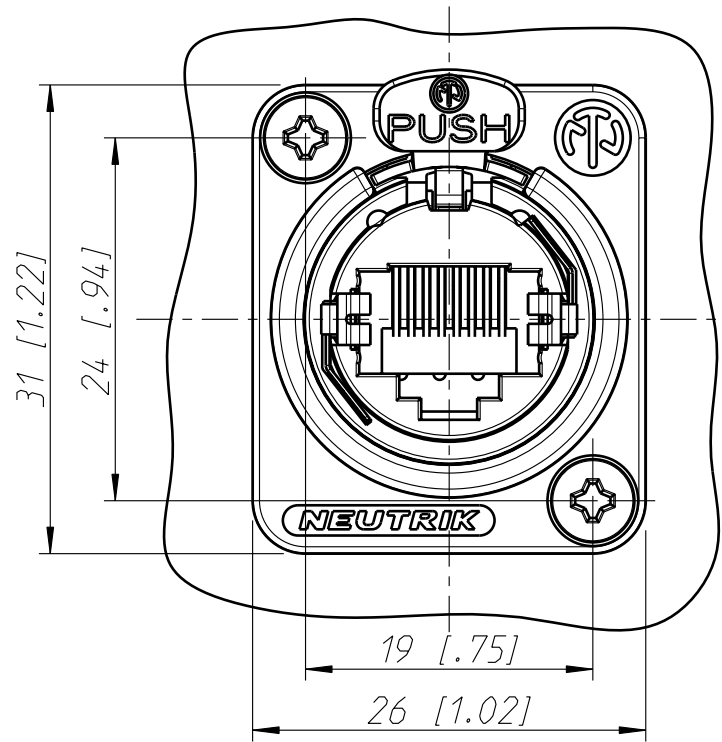
The D-Series offers the most rugged design of the etherCON series and is perfectly suitable for panel mount and the installer market.

RJ45 feedthrough receptacle, D-shape metal flange with the latch lock. Mounting screws included.

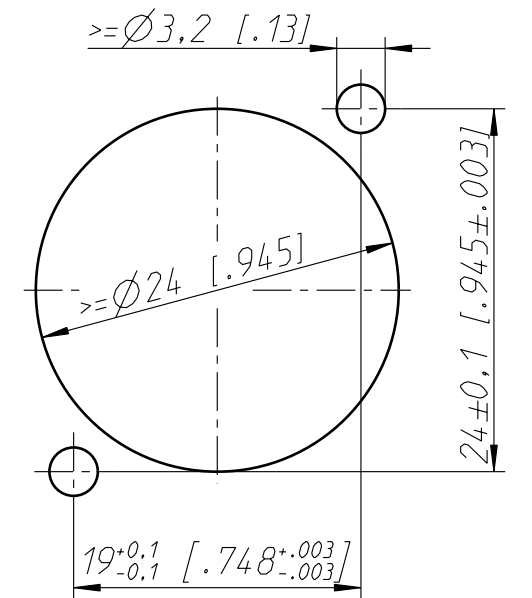
### **Features & Benefits**

- Accommodates NE8MC\* or any standard RJ45 plug
- Approved latch lock system
- Mountable from the front or rear of the panel
- Complies with Cat 5e according to TIA / EIA 568B and ISO / IEC 11801 standard

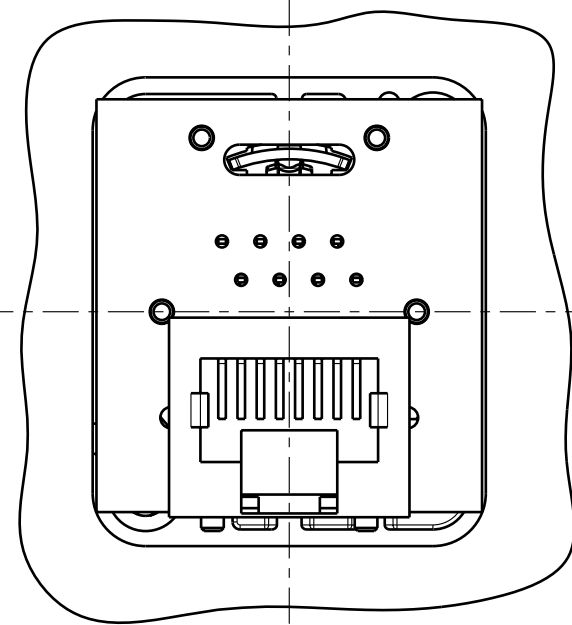
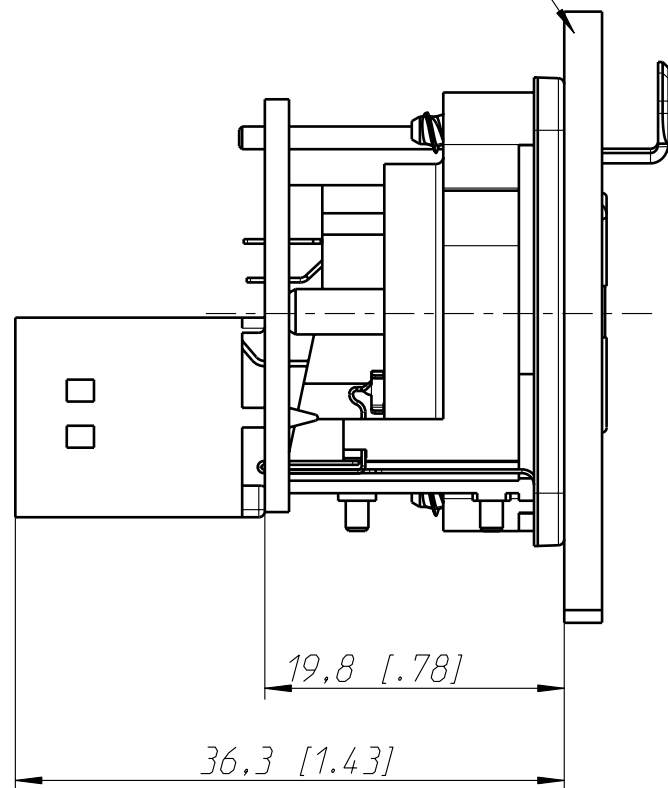
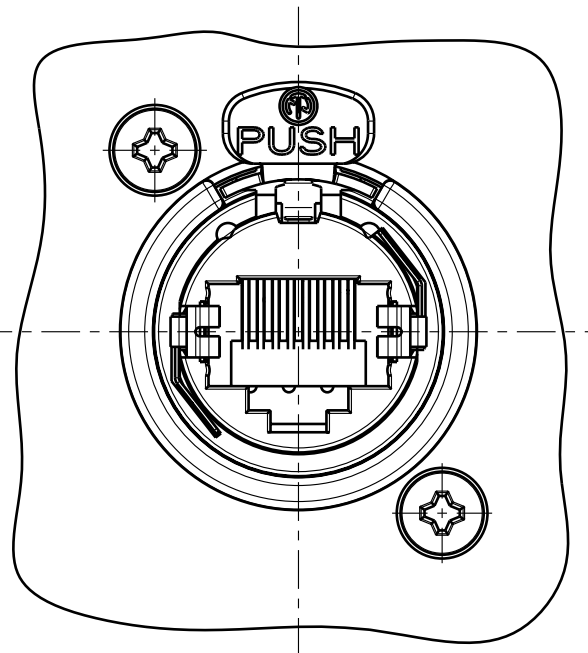
Flansch vorne, Chassis  
an Frontplatten-Rueckseite  
flange at frontside,  
chassis at frontpanel-rearside



Frontplattenausschnitt (Rueckseite)  
Panel cut out (rear side)



Frontplatte  
frontpanel



Component-Compliance CAT5E according to TIA/EIA 568B.2

Flansch u. Chassis  
an Frontplatten-Rueckseite  
flange and chassis fixed  
at frontpanel-rearside

Allgemeintoleranzen ISO 2768-m	Werkstoff	Massstab:	Datum	Name
Zeichnung urheberrechtlich geschuetzt (DIN 34) (C)	-	2:1 (A3)	Gezeichnet	03.12.02 Payr
			Freigegeben	- -
			Geaendert	04.02.05 Payr
Benennung NE8FDP NE8FDP			Aend.-Nr. 18-2005	Aend.-Index B
NEUTRIK AG FL-9494 SCHAAN			Ersatz fuer:	Blatt 1 von 1 Bl.
			Zeichn. Nr.	ST-NE8FDP