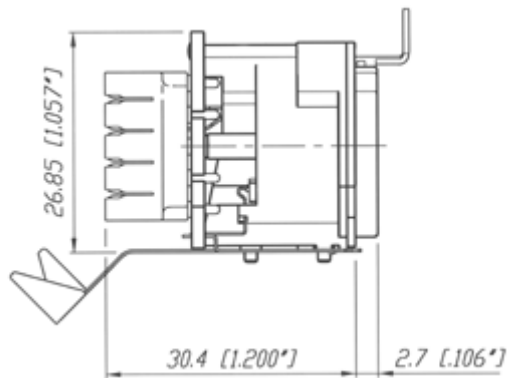
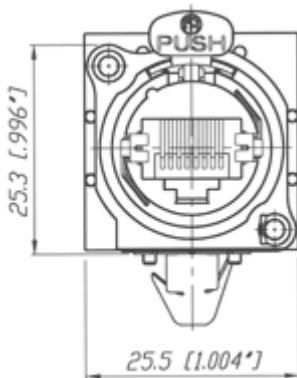


## Neutrik – NE8FAV-YK



<b>Product</b>	
Connector Type	RJ45
Gender	Female
<b>Electrical</b>	
Contact Resistance	< 10 mΩ
Dielectric Strength	1 kVdc
Frequency Range	1 - 100 MHz
Insulation Resistance	> 0.5 GΩ
Rated Current per Contact	1,5 A
Rated Voltage	50 V
Transmission Performance	CAT 5e
Standard Compliance	TIA/EIA 586B, IEC11801
<b>Mechanical</b>	
Insertion Force	≤ 20 N
Withdrawal Force	≤ 20 N
Lifetime	> 1000 Mating Cycles
Panel Thickness	Max. 3 mm 0.12"
Wire Size	0.14 - 0.5 mm <sup>2</sup>
Wire Size	26 – 20 AWG
Wiring	IDC Punch Down Terminals (2 Mounting Screws Included)
Locking Device	Latch Lock
Mounting Direction	Rear
Chassis Shape	D

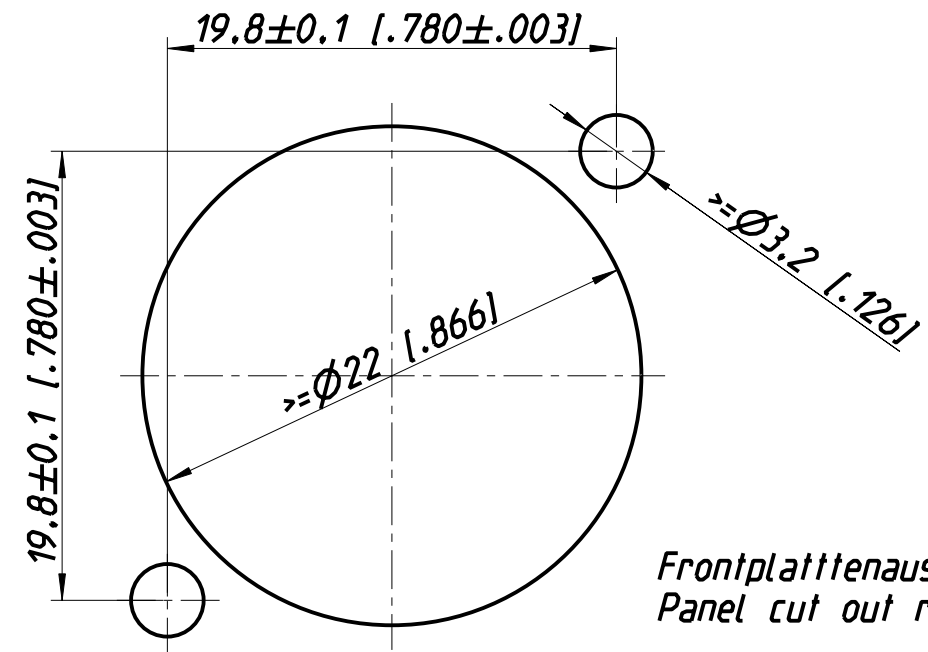
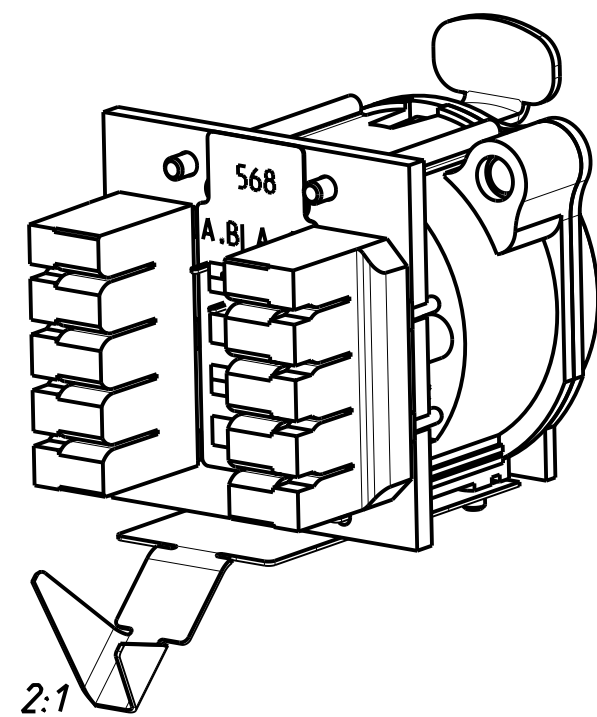
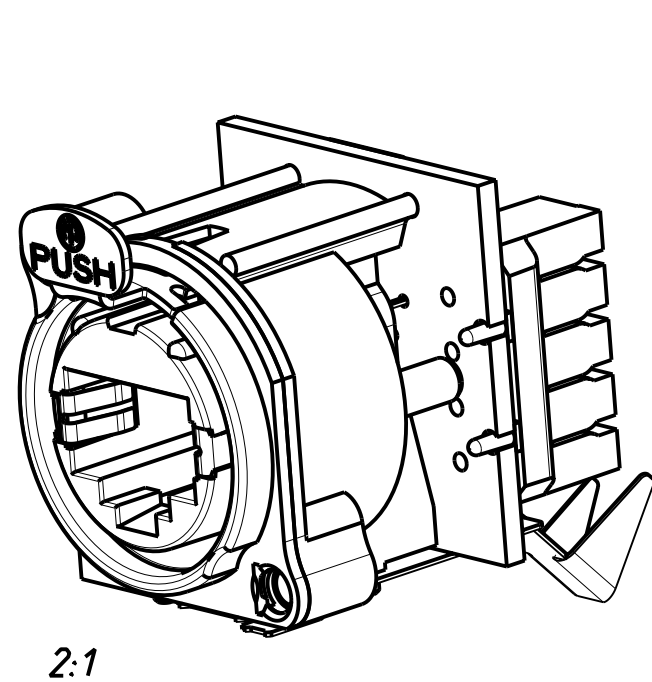
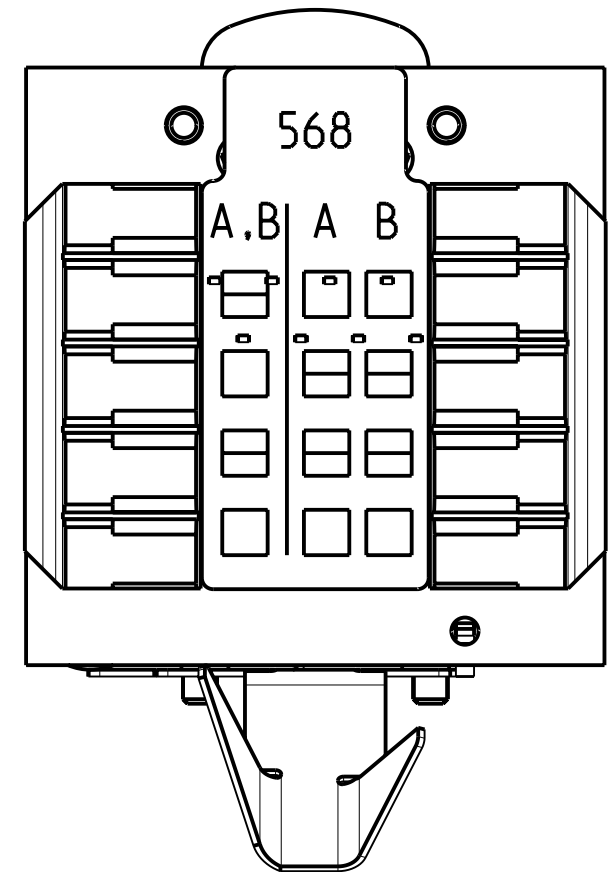
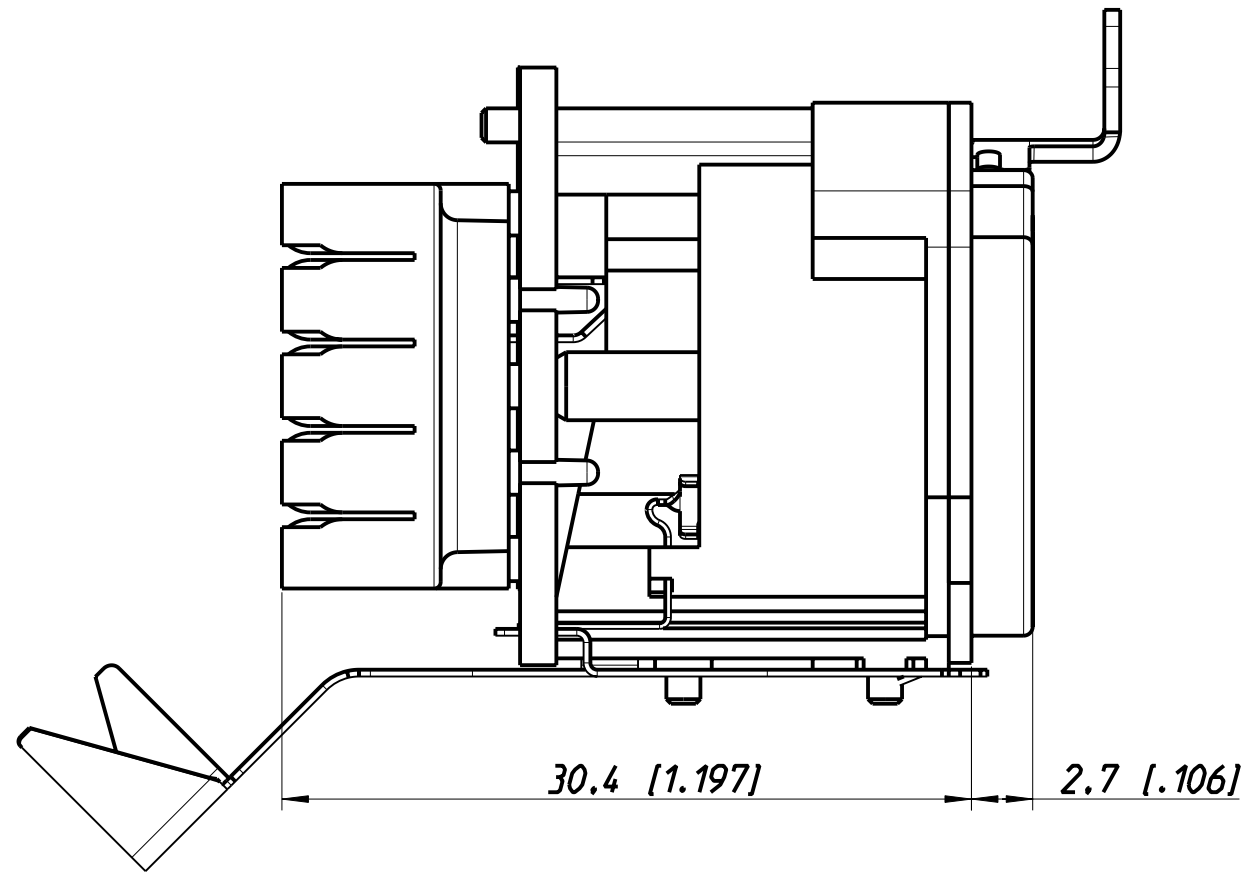
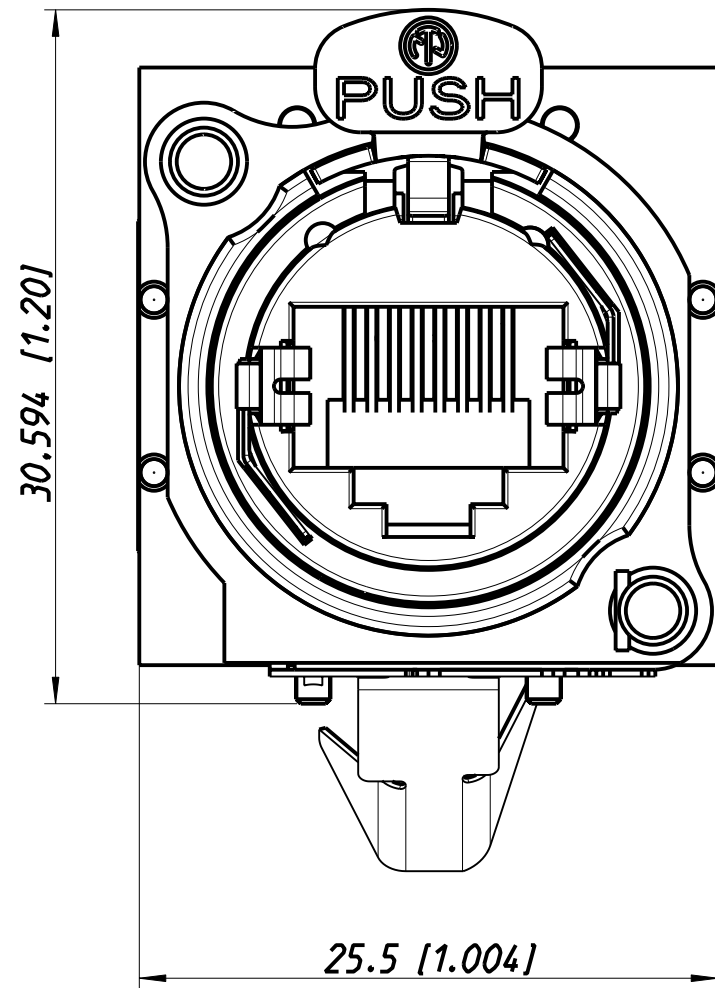
<b>Material</b>	
Contact Plating	0.2 µm Au over Ni Plating
Contacts	Bronze (CuSn8)
Insert	PBTP 15 % GR
Shell	PBTP 15 % GR
Strain Relief	CuZn35Pb2, Tin plated
<b>Environmental</b>	
Flammability	UL 94 V-0
Temperature Range	-30 °C to +80 °C

The etherCON Series is a ruggedized and lockable RJ45 connector system, optimized for proaudio, video and lightning network applications. The chassis connectors are shaped to fit into standardized panels out of the entertainment industry. Various wiring applications and color coding are available. The all plastic A-Series offers the most space saving and cost effective design.

Panel mount RJ45 receptacle with IDC terminals, A-Series cutout with latch lock, max. panel thickness 3 mm. Mounting screws included.

## **Features & Benefits**

- Accommodates rugged etherCON NE8MC\* or any standard RJ45 plug
- Approved latch lock system
- Most space saving and cost effective design
- Complies with Cat 5e according to TIA / EIA 568B and ISO / IEC 11801 standard
- Selectable ground - panel connection
- Easy and quick mounting using Krone punch down terminals



Allgemeintoleranzen ISO 2768-m	Werkstoff	Maßstab:	Datum	Name	
Zeichnung urheberrechtlich geschützt (DIN 34) (C)	KEIN_MAT	3:1 (A3)	Gezeichnet	27.06.01	Payr
			Freigegeben	-	-
Benennung			Geändert	01.10.03	Payr
NE8FAV-YK			Aend.-Nr.		Aend.-Index
			209-2003		D
NEUTRIK AG FL-9494 SCHAAN			Substit. for: 3102512123		Blatt 1 von 1 Bl.
			Zeichn. Nr.		ST-NE8FAV-YK