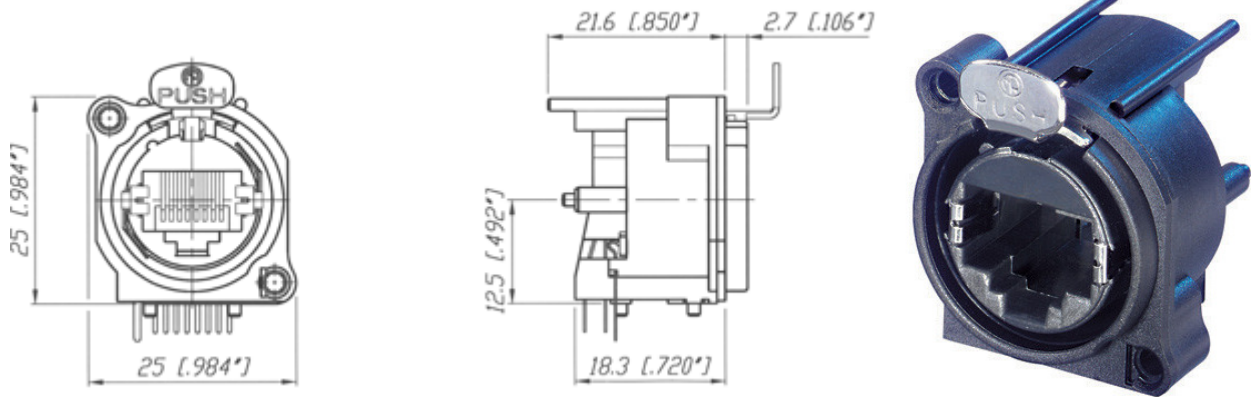


Neutrik – NE8FAH



Product	
Connector Type	RJ45
Gender	Female
Electrical	
Contact Resistance	< 10 mΩ
Dielectric Strength	1 kVdc
Frequency Range	1 - 100 MHz
Insulation Resistance	> 0.5 GΩ
Rated Current per Contact	1,5 A
Rated Voltage	50 V
Transmission Performance	Class D
Standard Compliance	TIA/EIA 586B, IEC11801
Mechanical	
Insertion Force	≤ 20 N
Withdrawal Force	≤ 20 N
Lifetime	> 1000 Mating Cycles
Panel Thickness	Max. 3 mm 0.12"
Wiring	Horizontal PCB mount
Locking Device	Latch Lock
Mounting Direction	Rear
Chassis Shape	A

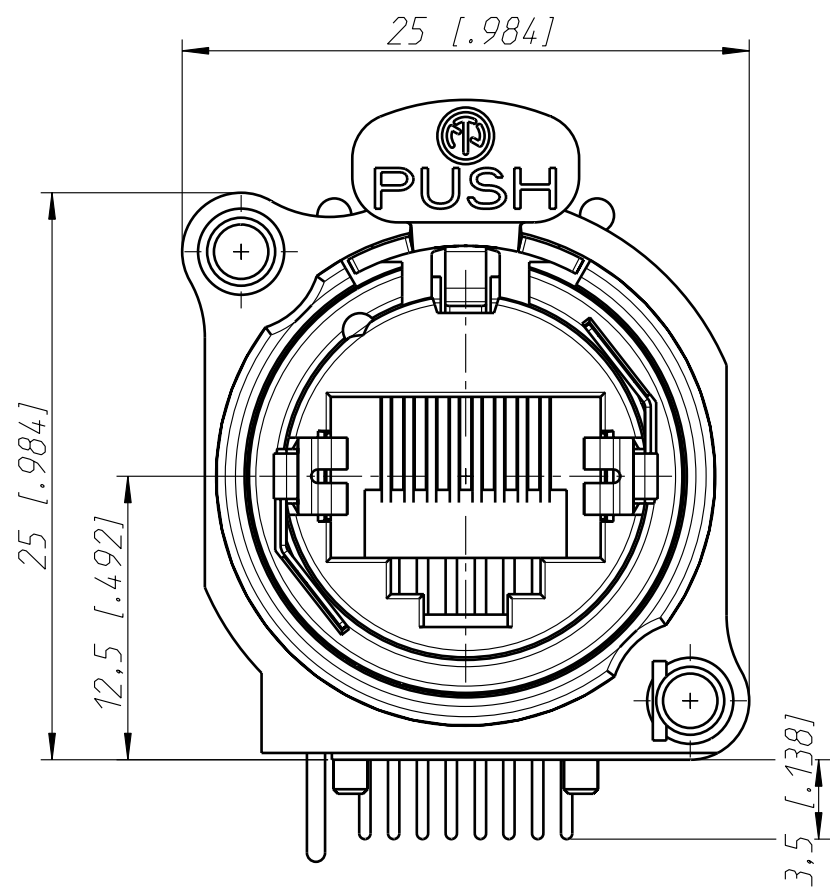
Material	
Contact Plating	0.2 μm Au over Ni plating
Contacts	Bronze (CuSn8)
Insert	PBTP 15 % GR
Shell	PBTP 15 % GR
Environmental	
Flammability	UL 94 V-0
Solderability	Complies with IEC 68-2-20
Temperature Range	-30 °C to +80 °C

The etherCON Series is a ruggedized and lockable RJ45 connector system, optimized for proaudio, video and lightning network applications. The chassis connectors are shaped to fit into standardized panels out of the entertainment industry. Various wiring applications and color coding are available.

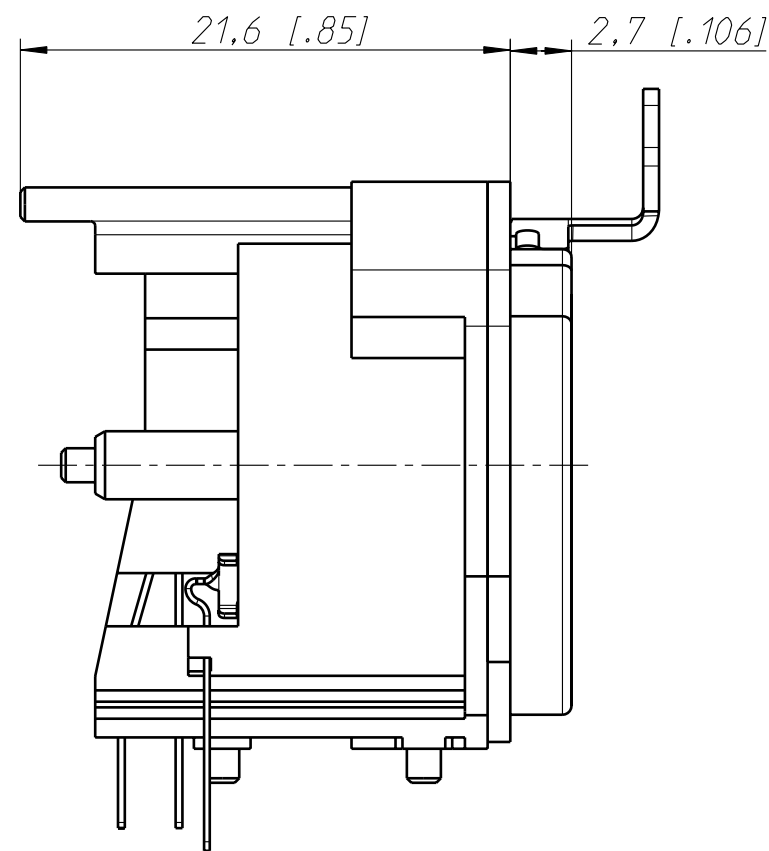
The etherCON all plastic A-Series offers the most space saving and cost effective design. Horizontal PCB mount RJ45 receptacle, A-Series cutout with latch lock, max. panel thickness 3 mm

Features & Benefits

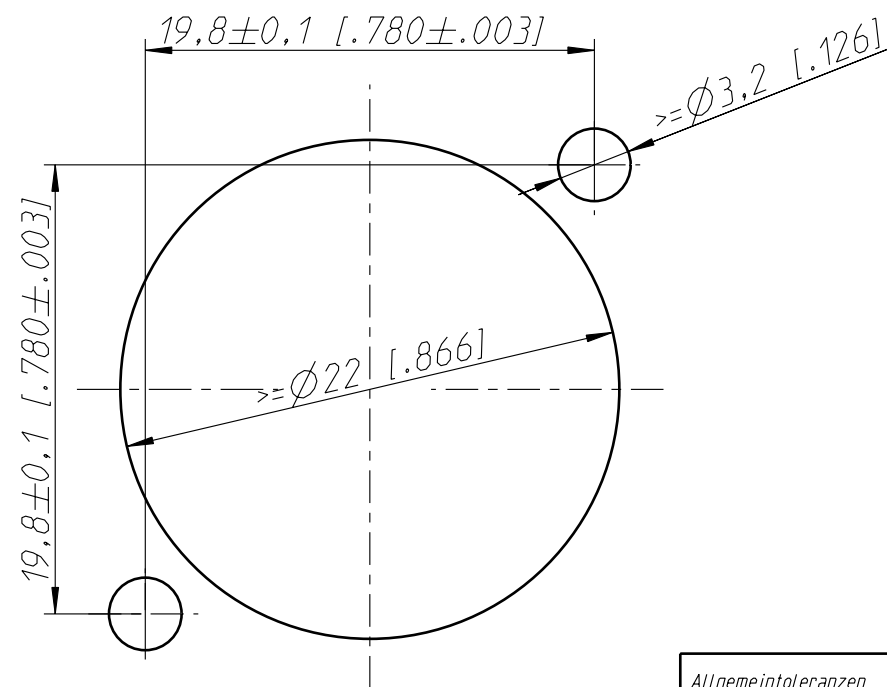
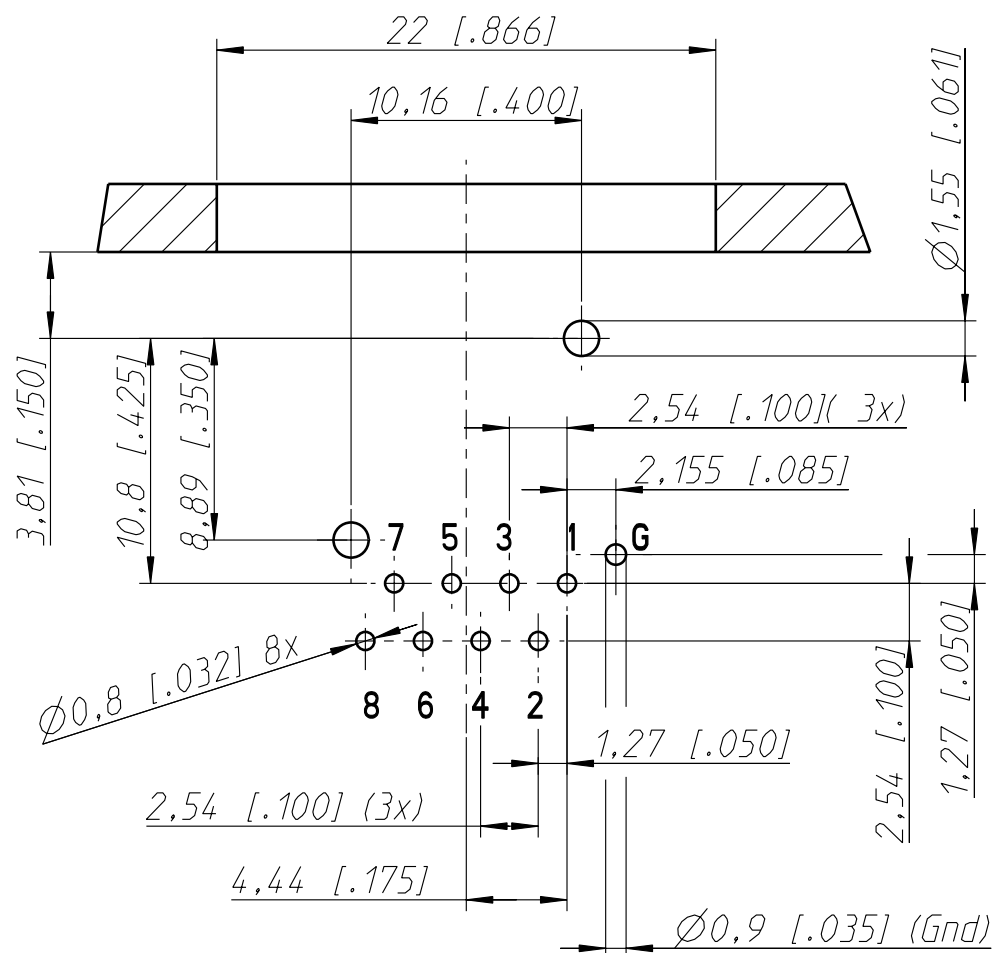
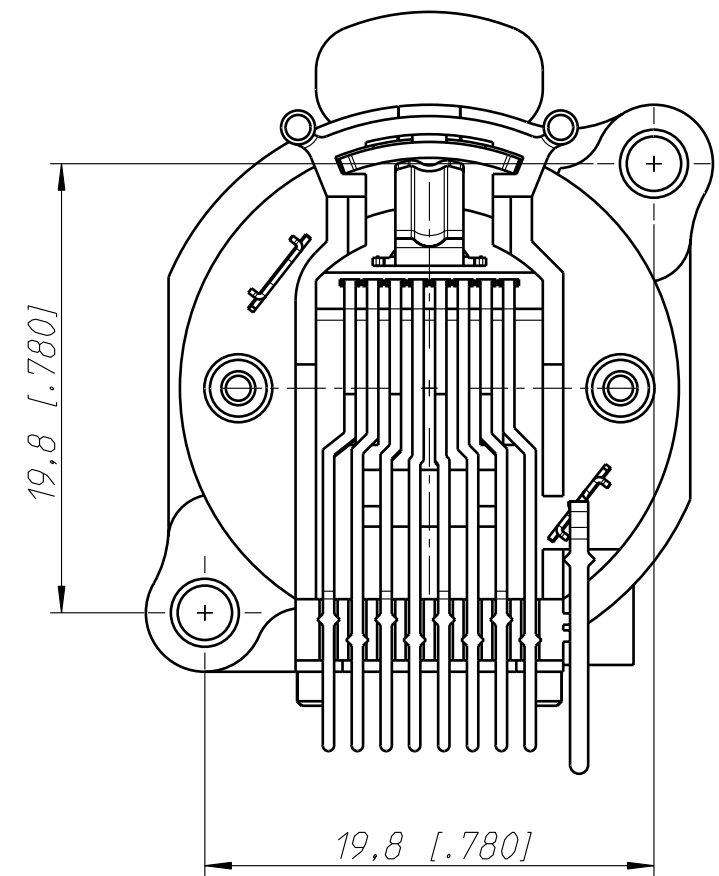
- Accommodates rugged etherCON NE8MC* or any standard RJ45 plug
- Approved latch lock system
- Most space saving and cost effective design
- Complies with Class D according to TIA / EIA 568B and ISO / IEC 11801 standard
- Isolated to panel ground
- Crosstalk compensation at connecting hardware to achieve CAT5e on request



Print Bohrplan Bestückungsseite
PCB-Layout (component side)



Frontplattenausschnitt (Rückseite)
Panel cut out (rear side)



Allgemeintoleranzen ISO 2768-m	Werkstoff KEIN_MAT	Massstab: 3:1 (A3)	Gezeichnet	19.02.01	Payr
			Freigegeben	-	-
Zeichnung urheberrechtlich geschuetzt (DIN 34) (C)	-	-	Geaendert	16.04.02	Payr
			Aend.-Nr. 104-2002		Aend.-Index A
Benennung NE8FAH komplett			Substit. for: 3102St2119		Blatt 1 von 1 Bl.
NEUTRIK AG FL-9494 SCHAAN			Zeichn. Nr. ST-NE8FAH		