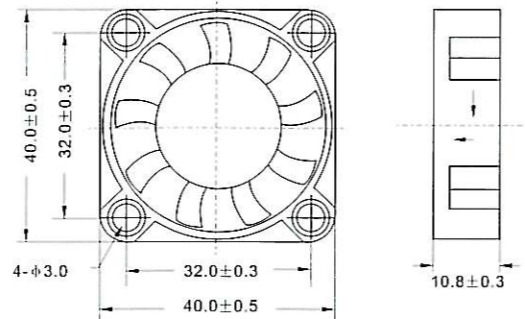


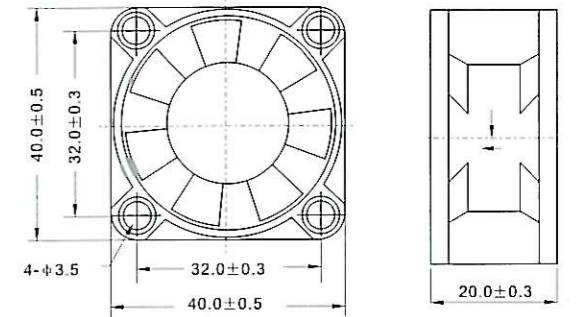
Size(mm):30×30×10

Model	Bearing system:x			Volt. (VDC)	Current (AMP)	Input (WATTS)	Speed (RPM)	Air Flow (CFM)	Static Pressure (mm-H ₂ O)	Noise (dBA)
JD3010L5X	S	B	C	5	0.15	0.75	6000	2.52	2.20	18
JD3010M5X	S	B	C	5	0.18	0.90	8000	3.33	3.53	22
JD3010H5X	S	B	C	5	0.20	1.00	10000	4.01	4.66	28
JD3010L12X	S	B	C	12	0.08	0.96	6000	2.52	2.20	18
JD3010M12X	S	B	C	12	0.10	1.20	8000	3.33	3.53	22
JD3010H12X	S	B	C	12	0.12	1.44	10000	4.01	4.66	28



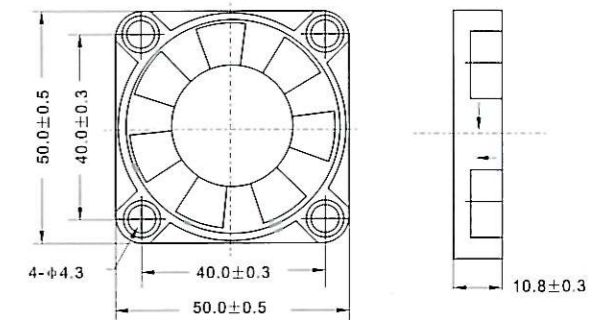
Size(mm):40×40×10

Model	Bearing system:x			Volt. (VDC)	Current (AMP)	Input (WATTS)	Speed (RPM)	Air Flow (CFM)	Static Pressure (mm-H ₂ O)	Noise (dBA)
JD4010L5X	S	B	C	5	0.15	0.75	5000	4.85	2.52	26
JD4010M5X	S	B	C	5	0.18	0.90	6000	5.75	3.55	28
JD4010H5X	S	B	C	5	0.22	1.10	7000	6.66	4.55	30
JD4010L12X	S	B	C	12	0.07	0.84	5000	4.85	2.52	26
JD4010M12X	S	B	C	12	0.09	1.08	6000	5.75	3.55	28
JD4010H12X	S	B	C	12	0.12	1.44	7000	6.66	4.55	30
JD4010L24X	S	B	C	24	0.10	2.40	5000	4.85	2.52	26
JD4010M24X	S	B	C	24	0.12	2.88	6000	5.75	3.55	28
JD4010H24X	S	B	C	24	0.15	3.60	7000	6.66	4.55	30



Size(mm):40×40×20

Model	Bearing system:x			Volt. (VDC)	Current (AMP)	Input (WATTS)	Speed (RPM)	Air Flow (CFM)	Static Pressure (mm-H ₂ O)	Noise (dBA)
JD4020L5X	S	B	C	5	0.15	0.75	5000	5.68	3.52	25
JD4020M5X	S	B	C	5	0.18	0.90	6000	6.85	4.50	26
JD4020H5X	S	B	C	5	0.20	1.00	7000	8.01	5.55	28
JD4020L12X	S	B	C	12	0.06	0.72	5500	6.42	3.71	26
JD4020M12X	S	B	C	12	0.08	0.96	6500	7.45	4.65	28
JD4020H12X	S	B	C	12	0.12	1.44	7500	9.11	6.75	30
JD4020L24X	S	B	C	24	0.10	2.40	5500	6.42	3.71	26
JD4020M24X	S	B	C	24	0.12	2.88	6500	7.45	4.65	28
JD4020H24X	S	B	C	24	0.15	3.60	7500	9.11	6.75	30



Size(mm):50×50×10

Model	Bearing system:x			Volt. (VDC)	Current (AMP)	Input (WATTS)	Speed (RPM)	Air Flow (CFM)	Static Pressure (mm-H ₂ O)	Noise (dBA)
JD5010L5X	S	B	C	5	0.15	0.75	4000	8.52	2.62	26
JD5010M5X	S	B	C	5	0.17	0.85	5000	10.55	3.75	28
JD5010H5X	S	B	C	5	0.20	1.00	6000	12.02	4.82	30
JD5010L12X	S	B	C	12	0.07	0.84	4000	8.52	2.62	26
JD5010M12X	S	B	C	12	0.10	1.20	5000	10.55	3.75	28
JD5010H12X	S	B	C	12	0.12	1.44	6000	12.02	4.82	30
JD5010L24X	S	B	C	24	0.15	3.60	4000	8.52	2.62	26
JD5010M24X	S	B	C	24	0.18	4.32	5000	10.55	3.75	28
JD5010H24X	S	B	C	24	0.20	4.80	6000	12.02	4.82	30