



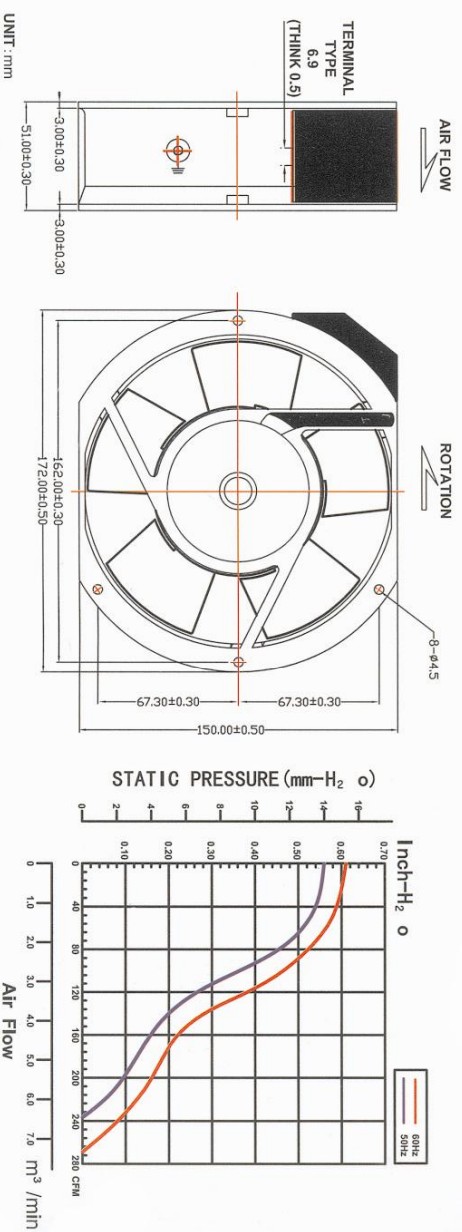
Suntronix®

ISO 9001



RoHS

172 x 150 x 51mm



全金屬/鐵扇葉

Frame Type: Aluminum painted & Plastic UL94V-0
Impeller: Metal

Model	Part No. Terminal Leadwire	Bearing System	Rated Voltage (V)	Freq (Hz)	Current (A)	Input Power (W)	Speed (rpm)	Air Flow (CFM)	Air Flow (m ³ /m)	Static Pressure (mm-H ₂ O)	Noise Level (dB-A)	Weight (g)
(型號)	(端子/出線)	(培林)	(電壓)	(頻率)	(電流)	(功率)	(轉速)	(風量)	(風量)	(靜壓)	(噪音值)	(重量)
HPE-1751HA1(M)	HPE-1751HA1(M)BATL	Ball	110/120	50/60	0.20/0.17	23/24	2750/3150	240/270	6.79/7.64	0.56/0.62	54/57	790
HPE-1751HA2(M)	HPE-1751HA2(M)BATL	Ball	220/240	50/60	0.10/0.09	23/24	2750/3150	240/270	6.79/7.64	0.56/0.62	54/57	790

Website: www.hkpe.com.hk / www.hkpe.b2s.com