

Ø 16 ILLUMINATED PUSH BUTTON SWITCH

KH-516



FEATURES

- Wide selection of various operation function
- Various colors of Red, Green, Yellow, Orange, White, Blue and Clear.
- Illuminated Type : LED Illumination Type
Filament Illumination Type

MODEL CLASSIFICATION METHOD

KH - 516 - A 1 2 - R (12)

Company	Koino KUN HUNG
Type	KH-516 : Filament Lamp KH-516L : LED Lamp
Button Type	A : Square type B : Rectangular type C : Round type D : Emergency push button type K : Key switch
Operation Function	0 : Pilot Lamp 1 : Illuminated push button type 2 : Illuminated push button (Locker type) 3 : push button type 4 : push button (Locker type) 5 : Key type
Contact Arrangement	0 : Pilot Lamp 1 : 1a1b 2 : 2a2b
Color Plate	R : Red G : Green Y : Yellow O : Orange W : White B : Blue KH-516L : R, G, Y, O
Rated Voltage	6 : 6V 12 : 12V 24 : 24V

ILLUMINATED PUSH BUTTON

Ø16 PILOT LAMP

KH-516-A00 KH-516-B00 KH-516-C00
 KH-516L-A00 KH-516L-B00 KH-516L-C00

FEATURES

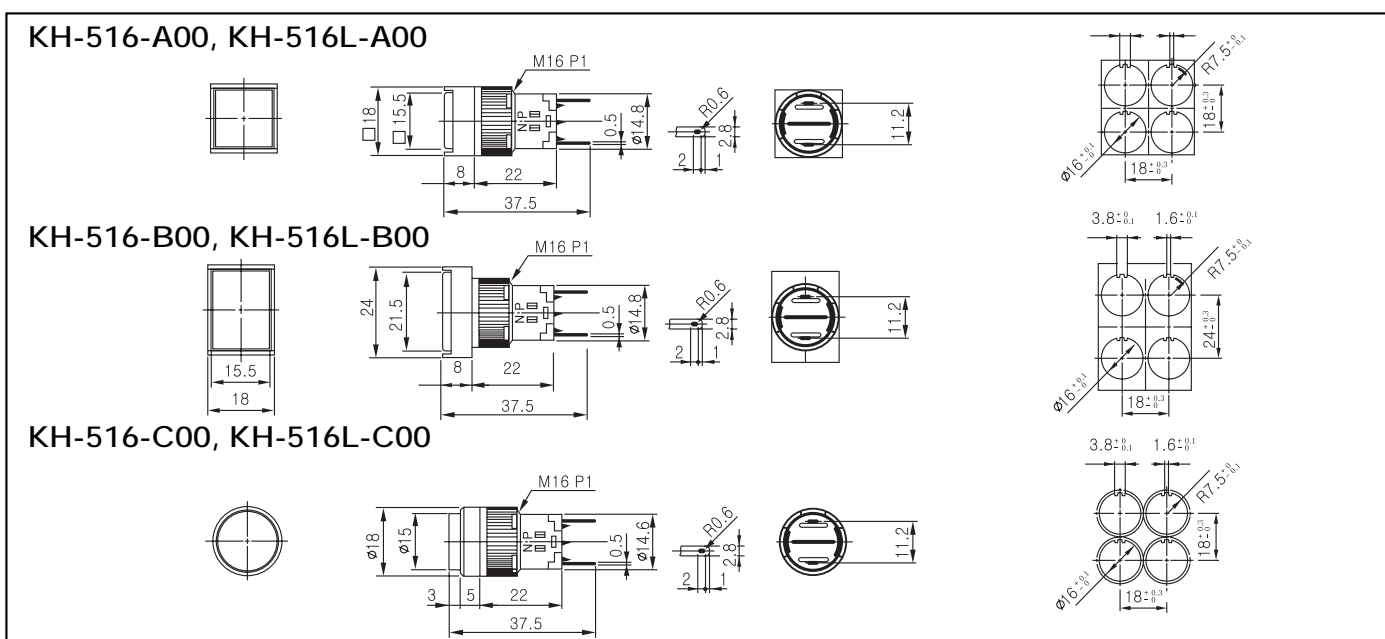
- Various colors of Red, Green, Yellow, Orange, White and Blue
- 516L : LED Lamp Illumination
- 516 : Filament Lamp Illumination



SPECIFICATIONS

Model No.	KH-516-A00 KH-516-B00 KH-516-C00	KH-516L-A00 KH-516L-B00 KH-516L-C00
Illumination	Filament Lamp	LED Lamp
Insulation Resistance	Min. 100 MΩ (at 500VDC)	
Dielectric Strength	1,000VAC (50/60 Hz) for 1 minute	
Vibration Resistance	10-55 Hz at double amplitude of 1.5 mm (X,Y,Z directions)	
Shock Resistance	Approx. 10G(100 m/s ²)	
Ambient Temperature	- 25 +50 (at not freezing)	
Ambient Humidity	45 85% RH	
Protection	IP 40	
Material	Housing : PC Button : PC	
Weight	Approx. 6g	

DIMENSIONS



Ø 16 ILLUMINATED PUSH BUTTON SWITCH

KH-516-A11,12 KH-516-B11,12 KH-516-C11,12
 KH-516L-A11,12 KH-516L-B11,12 KH-516L-C11,12



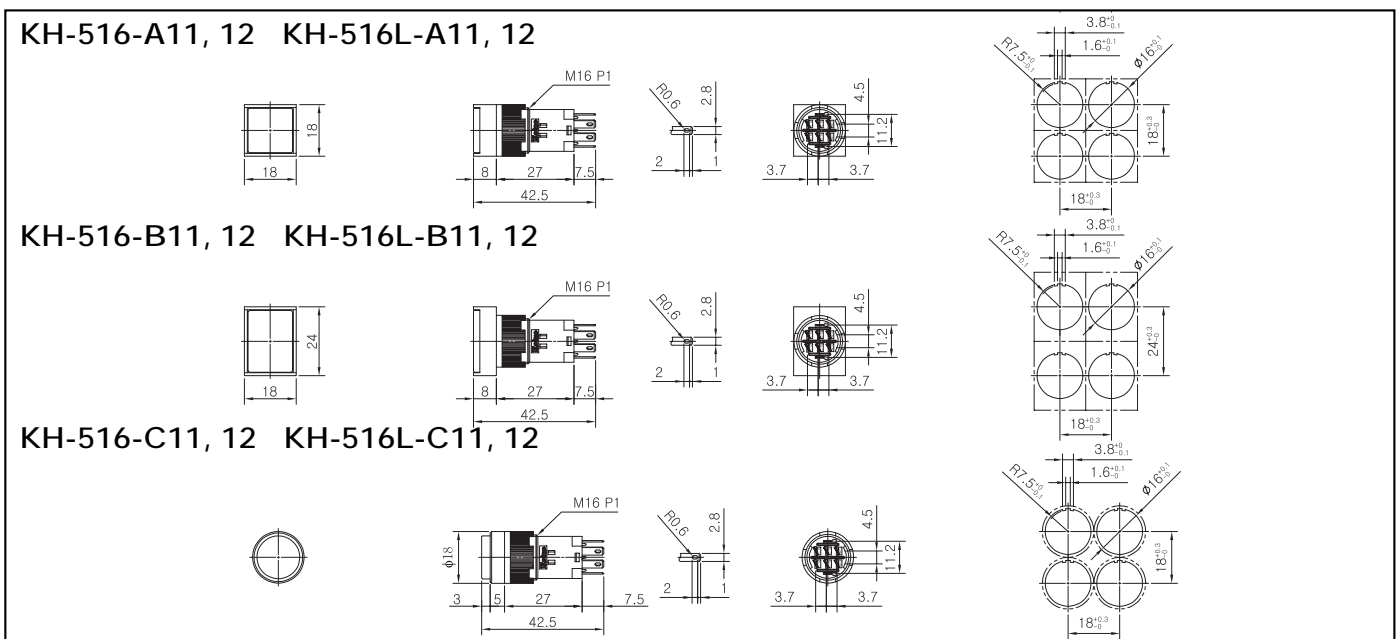
FEATURES

- Various colors of Red, Green, Yellow, Orange, White and Blue
- Indicator :
 516L : LED Illumination Type
 516 : Filament Lamp Illumination Type
- Contact arrangement : 1a1b, 2a2b

SPECIFICATIONS

Model No.	KH-516-A11/A12 KH-516-B11/B12 KH-516-C11/C12	KH-516L-A11/A12 KH-516L-B11/B12 KH-516L-C11/C12
Actuator	Push and auto release	
Illumination	Filament Lamp	LED Lamp
Insulation Resistance	Min. 100 MΩ (at 500VDC)	
Dielectric Strength	1,000VAC (50/60 Hz) for 1 minute	
Vibration Resistance	10-55 Hz at double amplitude of 1.5 mm (X,Y,Z directions)	
Shock Resistance	Approx. 10G(100 m/s ²)	
Contact Rating(Resistive Load)	1A 250VAC	
Contact Resistance	Max. 30 mΩ (initial)	
Life	Mechanical	Min. 500,000 operations
	Electrical	Min. 70,000 operations
Ambient Temperature	- 25 +50 (at not freezing)	
Ambient Humidity	45 85% RH	
Protection	IP 40	
Material	Housing : PC Button : PC	
Weight	Approx. 7g	

DIMENSIONS



ILLUMINATED PUSH BUTTON

Ø16 ILLUMINATED PUSH BUTTON SWITCH

KH-516-A21,22 KH-516-B21,22 KH-516-C21,22
 KH-516L-A21,22 KH-516L-B21,22 KH-516L-C21,22



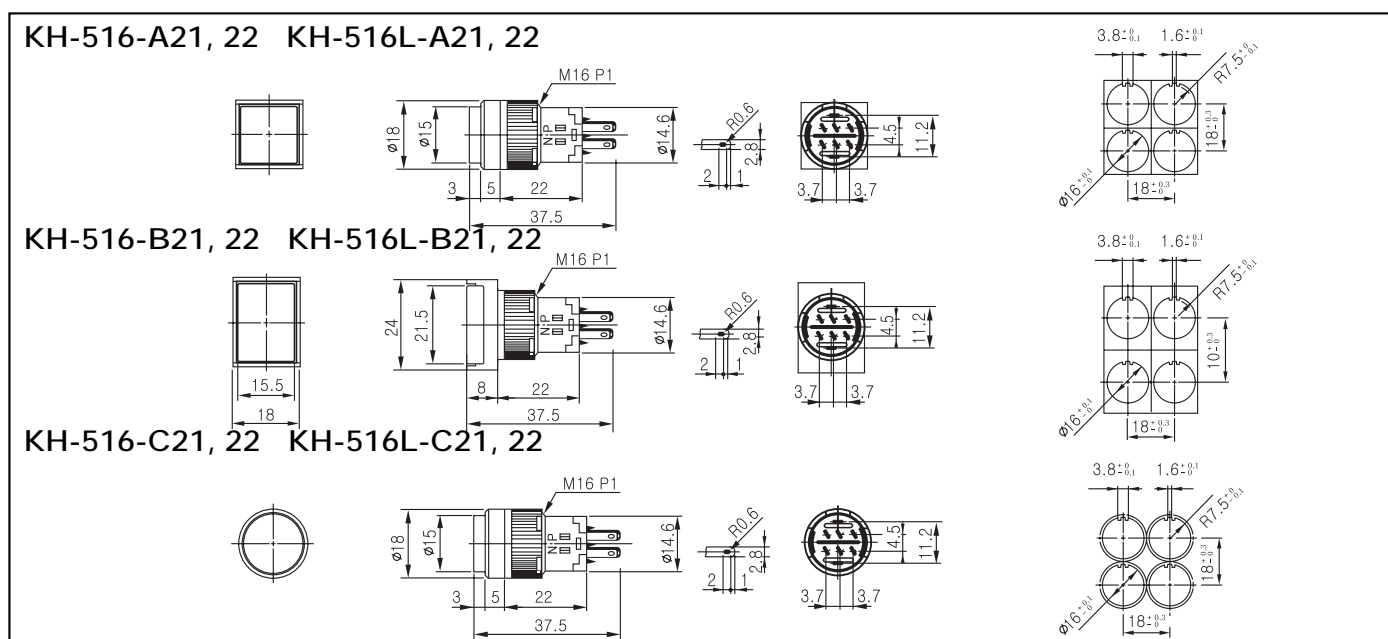
FEATURES

- Various color of Red, Green, Yellow, Orange, White and Blue
- Indicator :
 516L : LED Illumination Type
 516 : Filament Lamp Illumination Type
- Contact arrangement : 1a1b, 2a2b

SPECIFICATIONS

Model No.	KH-516-A21/A22 KH-516-B21/B22 KH-516-C21/C22	KH-516L-A21/A22 KH-516L-B21/B22 KH-516L-C21/C22
Actuator	Push and auto release	
Illumination	Filament Lamp	LED Lamp
Insulation Resistance	Min. 100 MΩ (at 500VDC)	
Dielectric Strength	1,000VAC (50/60 Hz) for 1 minute	
Vibration Resistance	10-55 Hz at double amplitude of 1.5 mm (X,Y,Z directions)	
Shock Resistance	Approx. 10G(100 m/s ²)	
Contact Rating(Resistive Load)	1A 250VAC	
Contact Resistance	Max. 30 mΩ (initial)	
Life	Mechanical	Min. 200,000 operations
	Electrical	Min. 70,000 operations
Ambient Temperature	- 25 +50 (at not freezing)	
Ambient Humidity	45 85% RH	
Protection	IP 40	
Material	Housing : PC Button : PC	
Weight	Approx. 7g	

DIMENSIONS



Ø 16 PUSH BUTTON SWITCH

KH-516-A31,32 KH-516-B31,32 KH-516-C31,32
 KH-516-A41,42 KH-516-B41,42 KH-516-C41,42

FEATURES

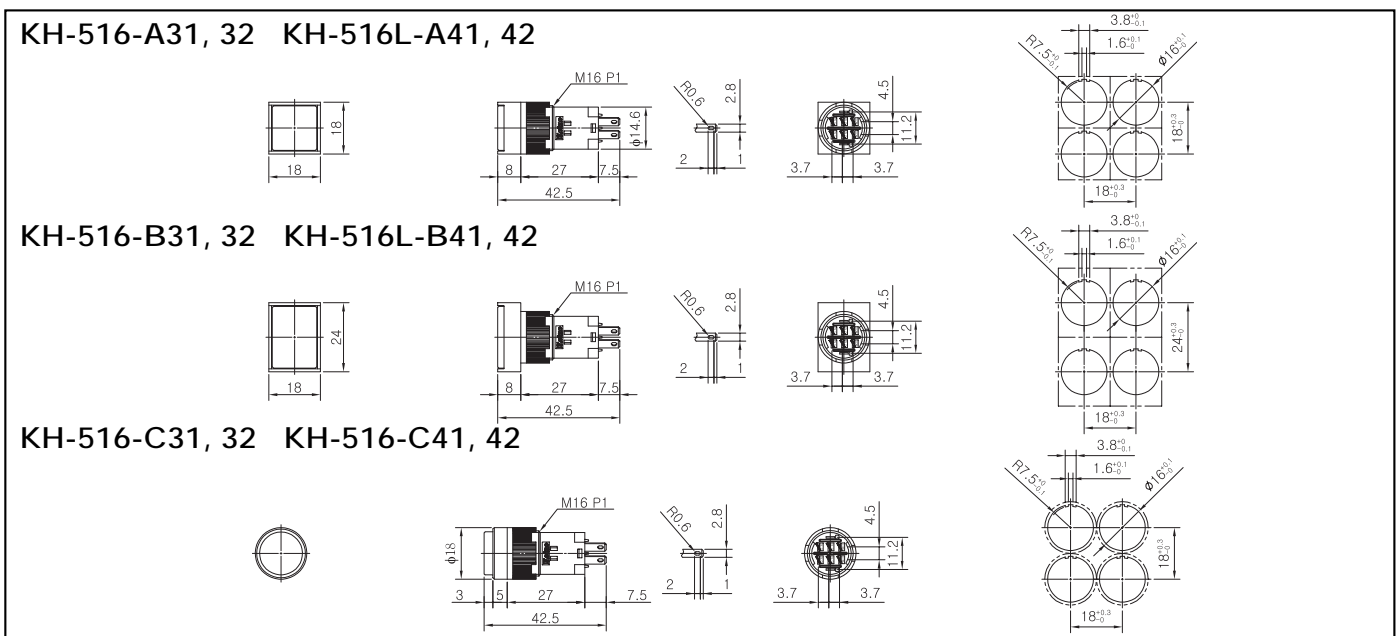
- Various colors of Red, Green, Yellow, Orange, White and Blue
- Contact arrangement : 1a1b, 2a2b



SPECIFICATIONS

Model No.		KH-516-A31/A32 KH-516-B31/B32 KH-516-C31/C32	KH-516L-A41/A42 KH-516L-B41/B42 KH-516L-C41/C42
Actuator		Push and auto release	Push lock and push release
Insulation Resistance		Min. 100 MΩ (at 500VDC)	
Dielectric Strength		1,000VAC (50/60Hz) for 1 minute	
Vibration Resistance		10-55 Hz at double amplitude of 1.5 mm (X,Y,Z directions)	
Shock Resistance		Approx. 10G(100 m/s ²)	
Contact Rating(Resistive Load)		1A 250VAC	
Contact Resistance		Max. 30 mΩ (initial)	
Life	Mechanical	Min. 500,000 operations	Min. 200,000 operations
	Electrical	Min. 70,000 operations	
Ambient Temperature		- 25 +50 (at not freezing)	
Ambient Humidity		45 85% RH	
Protection		IP 40	
Material		Housing : PC Button : PC	
Weight		Approx. 7g	

DIMENSIONS



PUSH BUTTON

Ø16 EMERGENCY PUSH BUTTON SWITCH & KEY SWITCH

KH-516-D31, D32
KH-516-D41, D42

KH-516-K52



FEATURES

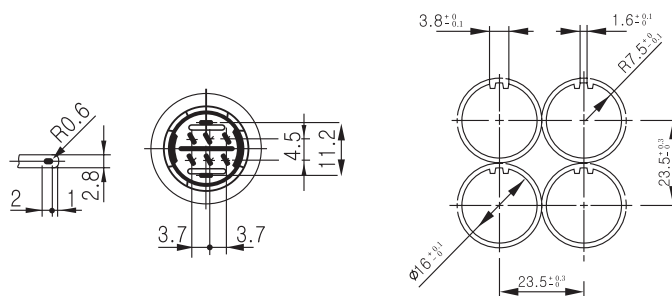
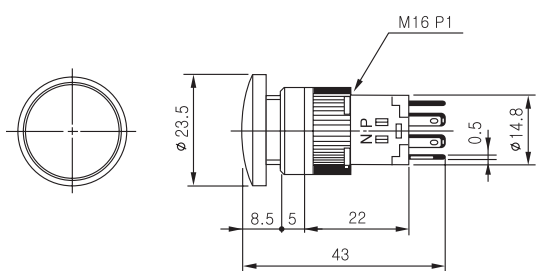
- Contact arrangement : 1a1b, 2a2b
- KH-516-K52 Type :
Contact arrangement 2a2b

SPECIFICATIONS

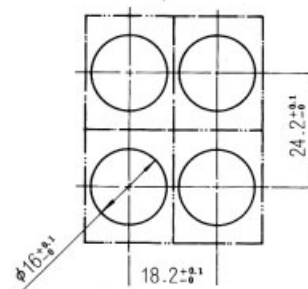
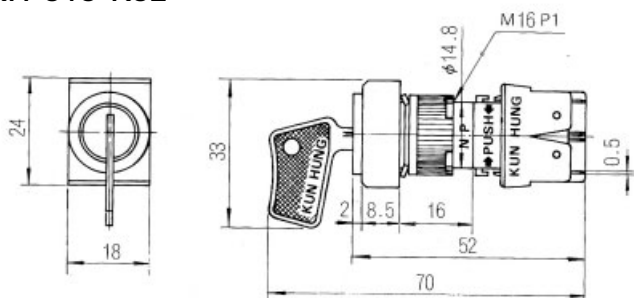
Model No.	KH-516-D31/D32	KH-516-D41/D42	KH-516-K52
Actuator	Push and auto release	Push lock and push release	Key
Insulation Resistance	Min. 100 MΩ (at 500VDC)		
Dielectric Strength	1,000VAC (50/60 Hz) for 1 minute		
Vibration Resistance	10-55 Hz at double amplitude of 1.5 mm (X,Y,Z directions)		
Shock Resistance	Approx. 10G(100 ms ²)		
Contact Rating(Resistive Load)	1A 250VAC		
Contact Resistance	Max. 30 mΩ (initial)		
Life	Mechanical	Min. 500,000 operations	Min. 200,000 operations
	Electrical	Min. 70,000 operations	
Ambient Temperature	- 25 +50 (at not freezing)		
Ambient Humidity	45 85% RH		
Protection	IP 40		
Material	Housing : PC Button : PC		Housing : PC
Weight	Approx. 6.5g		Approx. 32g

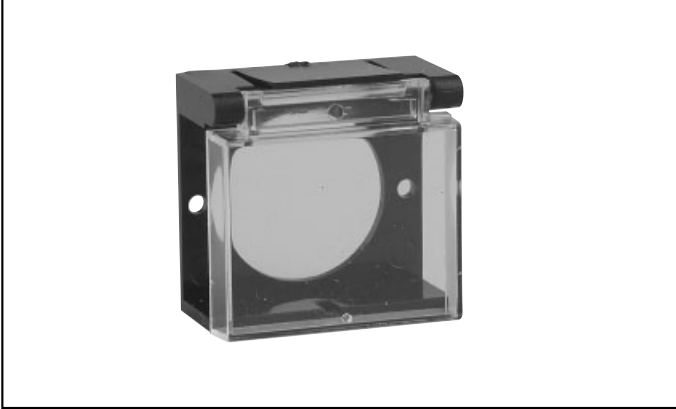
DIMENSIONS

KH-516-D31, D32 KH-516-D41, D42



KH-516-K52



Ø16 ACCESSORY PARTS**BUTTON SAFETY COVER****TERMINAL SAFETY COVER****FIXING NUT TOOL****PANEL FIXING PLATE**