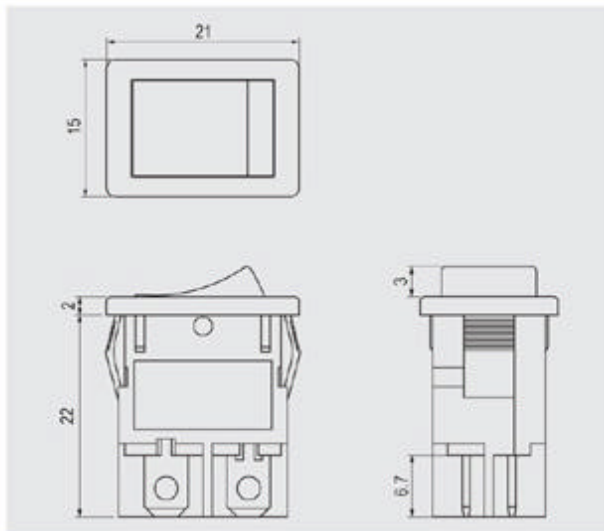


R13-73



Contact resistance
50mΩ Max
Insulation resistance
DC 500V 100MΩ Min
Dielectric strength
AC 1500V 1 minute
Cut-out

	X	Y
	X	Y
0.75-1.25	19.2-0.1	13.0+0.1
1.25-2	19.4-0.1	13.0+0.1
2-3	19.8-0.1	13.0+0.1

FEATURES

- * MATERIAL: Frames are nylon (UL flame: 94V-2). Terminals are silver plated brass.
- * Illuminated actuators are molded in PC, available with red, amber and green colors.
- * Snap-in mounting, easy to install switch into panel.

R13-73

FUNCTION	RATING	TERMINAL
<p>A</p> <p>4P DPST</p> <p>D</p> <p>2P SPST</p>	<p>10A 125V AC 6A 250V AC</p>	<p>0 2 .187" SQ</p> <p>0 9 PC</p> <p>1 0 PC ANGLE</p>
<p>A 2</p> <p>4P DPST</p>		
<p>B</p> <p>3P SPST (ILLUMINATED) 125VAC 33KΩ / 250VAC 150KΩ</p>		
<p>C</p> <p>4P DPST (ILLUMINATED) 125VAC 33KΩ / 250VAC 150KΩ</p>		