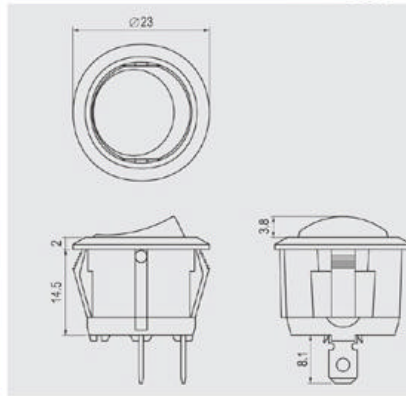
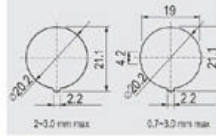


# R13-112



<b>Rating</b>
16A 125V AC 10A 250V AC
<b>Contact resistance</b>
50mΩ Max
<b>Insulation resistance</b>
DC 500V 100MΩ Min
<b>Dielectric strength</b>
AC 1500V 1 minute
<b>Cut-out</b>

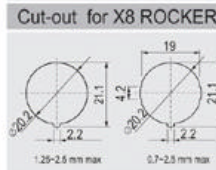


## FEATURES

- \* MATERIAL: Frames are nylon (UL flame: 94V-2). Terminals are silver plated brass.
- \* Illuminated actuators are molded in PC, available with red, amber and green colors.
- \* Snap-in mounting, easy to install switch into panel.
- \* Waterproof cover is optional, except LP & BP type.
- \* The dimension of frame is 14.5mm, for shorter one, please refer to page 1-29 item no. R13-208.
- \* R13-112B9: LED with PCB inside for AC rating.



0.7-3.0 mm max



0.7-2.5 mm max



FUNCTION			TERMINAL
<p><b>A 2</b></p> <p>2P SPST</p>	<p><b>B 2 F</b></p> <p>3P SPST <b>(ILLUMINATED)</b> 125V AC 33K<math>\Omega</math> / 250V AC 150K<math>\Omega</math></p>	<p><b>F</b></p> <p>2P SPST</p>	<p>0 2  .187" SQ</p>
<p><b>A 2</b></p> <p>2P SPST</p>	<p><b>B 8 W</b></p> <p>3P SPST <b>(ILLUMINATED)</b> 125V AC 33K<math>\Omega</math> / 250V AC 150K<math>\Omega</math></p>	<p><b>G</b></p> <p>3P SPDT</p>	
<p><b>A 5</b></p> <p>2P SPST <b>(Gloss Finish)</b></p>	<p><b>B 9</b></p> <p>3P SPST (W/O Lens) <b>(LED)</b> LED Rating @ 10mA <math>V_f=1.85V</math></p>	<p><b>H</b></p> <p>3P SPDT</p>	
<p><b>A 8</b></p> <p>2P SPST</p>	<p><b>B 9 F</b></p> <p>3P SPST <b>(LED)</b> LED Rating @ 10mA <math>V_f=1.85V</math></p>	<p><b>I</b></p> <p>3P SPDT</p>	
<p><b>B</b></p> <p>3P SPST <b>(ILLUMINATED)</b> 125V AC 33K<math>\Omega</math> / 250V AC 150K<math>\Omega</math></p>	<p><b>C</b></p> <p>3P SPDT</p>	<p><b>L</b></p> <p>4P SPST <b>(LED)</b> LED Rating @ 10mA <math>V_f=1.85V</math></p>	
<p><b>B F</b></p> <p>3P SPST <b>(ILLUMINATED)</b> 125V AC 33K<math>\Omega</math> / 250V AC 150K<math>\Omega</math></p>	<p><b>C 8</b></p> <p>3P SPDT</p>	<p><b>L F</b></p> <p>4P SPST <b>(LED)</b> LED Rating @ 10mA <math>V_f=1.85V</math></p>	
<p><b>B P</b></p> <p>3P SPST <b>(ILLUMINATED)</b> 125V AC 33K<math>\Omega</math> / 250V AC 150K<math>\Omega</math></p>	<p><b>D</b></p> <p>3P SPDT</p>	<p><b>L P</b></p> <p>4P SPST <b>(LED)</b> LED Rating @ 10mA <math>V_f=1.85V</math></p>	
<p><b>B 2</b></p> <p>3P SPST (W/Lens) <b>(ILLUMINATED)</b> 125V AC 33K<math>\Omega</math> / 250V AC 150K<math>\Omega</math></p>	<p><b>E</b></p> <p>2P SPST</p>		

\* ( ) =momentary