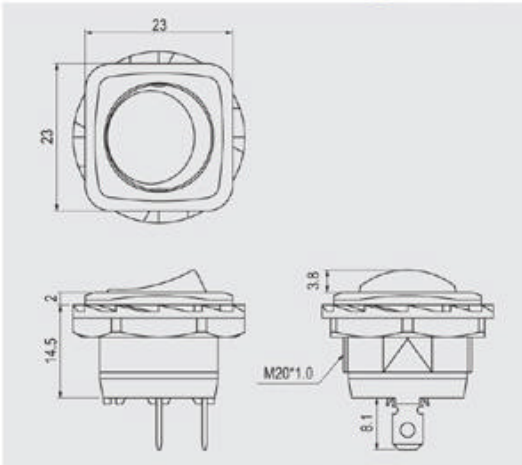


R13-135



Rating	16A 125V AC 10A 250V AC
Contact resistance	50mΩ Max
Insulation resistance	DC 500V 100MΩ Min
Dielectric strength	AC 1500V 1 minute
Cut-out	19.6mm diameter, 6mm max thickness

FEATURES

- * MATERIAL: Frames are nylon with glass fiber (UL flame: 94V-2). Terminals are silver plated brass.
- * Illuminated actuators are molded in PC, available with red, amber and green colors.



R13-135 -

FUNCTION				TERMINAL
A ON OFF 2P SPST	C ON ON 3P SPDT	G ON (ON) 3P SPDT	L F (ON) OFF 4P SPST (LED) LED Rating @ 10MA V _F =1.85V	0 2 \square .187" SQ R13-135-02
A 2 ON OFF 2P SPST	D ON OFF ON 3P SPDT	H ON OFF (ON) 3P SPDT	L P ON OFF 4P SPST (LED) LED Rating @ 10MA V _F =1.85V	R13-135R-02
B ON OFF 3P SPST (ILLUMINATED) 125V AC 33KΩ / 250V AC 150KΩ	E ON (OFF) 2P SPST	I (ON) OFF (ON) 3P SPDT	B P ON OFF 3P SPST (ILLUMINATED) 125V AC 33KΩ / 250V AC 150KΩ	R13-135O-02
B 2 ON OFF 3P SPST	F (ON) OFF 2P SPST	L ON OFF 4P SPST	* () = momentary R13-135-02	R13-135-02