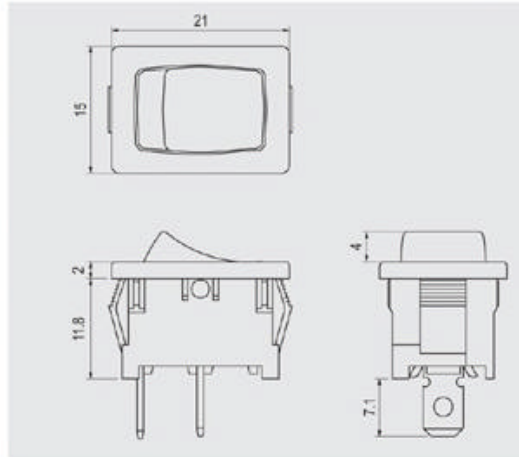


R13-66



| Rating | |
|-----------------------|---------------|
| 16A 125V AC | 1/3HP 125V AC |
| 10A 250V AC | 1/2HP 250V AC |
| Contact resistance | |
| 50mΩ Max | |
| Insulation resistance | |
| DC 500V 100MΩ Min | |
| Dielectric strength | |
| AC 1500V 1 minute | |
| Cut-out | |

| Cut-out | | |
|--|----------|----------|
| | X | Y |
| $\begin{matrix} \text{---} \\ \text{---} \\ \text{---} \end{matrix}$ | X | Y |
| 0.75-1.25 | 19.2±0.1 | 13.0±0.1 |
| 1.25-2 | 19.4±0.1 | 13.0±0.1 |
| 2-3 | 19.8±0.1 | 13.0±0.1 |

FEATURES

- * MATERIAL: Frames are nylon (UL flame: 94V-2). Terminals are silver plated brass.
- * Illuminated actuators are molded in PC, available with red, amber and green colors.
- * Snap-in mounting, easy to install switch into panel.
- * Waterproof cover is optional.
- * The only difference between R13-66BW and R13-66B6W is the style of rocker.



| Cut-out for X8 ROCKER | | |
|--|----------|----------|
| | X | Y |
| $\begin{matrix} \text{---} \\ \text{---} \\ \text{---} \end{matrix}$ | X | Y |
| 0.75-1.25 | 19.4±0.1 | 13.0±0.1 |
| 1.5-2.5 | 19.8±0.1 | 13.0±0.1 |



R13-66

| FUNCTION | | | TERMINAL |
|---|---|---|---|
| A 2P SPST ON OFF | B 6 W 3P SPST (ILLUMINATED) 125V AC 33K Ω / 250V AC 150K Ω ON OFF | G 3P SPDT ON (ON) | 0 2 .187" SQ 0 5 SO 0 9 PC 1 0 PC ANGLE 1 2 SO |
| A 5 2P SPST ON OFF | B 8 W 3P SPST (ILLUMINATED) 125V AC 33K Ω / 250V AC 150K Ω ON OFF | H 3P SPDT ON OFF (ON) | |
| A 8 2P SPST ON OFF | C 3P SPDT ON ON | I 3P SPDT (ON) OFF (ON) | |
| B W 3P SPST (ILLUMINATED) 125V AC 33K Ω / 250V AC 150K Ω ON OFF | D 3P SPDT ON OFF ON | L 4P SPST (LED) LED Rating @10mA $V_f=1.85V$ ON OFF | |
| B 2 W 3P SPST (ILLUMINATED) 125V AC 33K Ω / 250V AC 150K Ω ON OFF | E 2P SPST ON (OFF) | L P 4P SPST (LED) LED Rating @10mA $V_f=1.85V$ ON OFF | |
| B 4 W 3P SPST (ILLUMINATED) 125V AC 33K Ω / 250V AC 150K Ω ON OFF | F 2P SPST (ON) OFF | * () = momentary | |