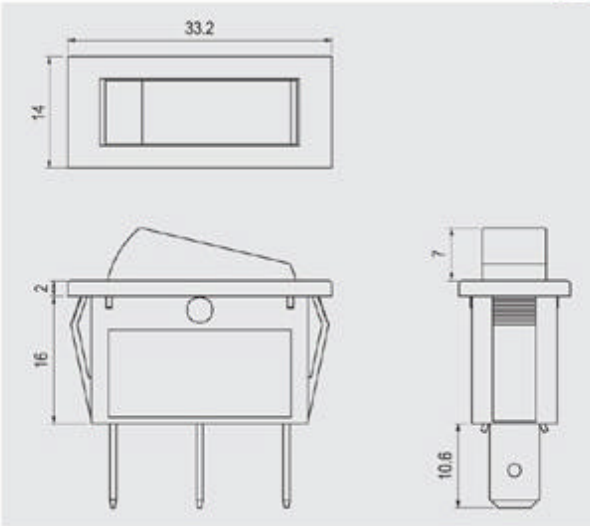


R13-70 · 91



Rating	
16A 125V AC	1/8HP 125VAC
10A 250V AC	1/3HP 250VAC
Contact resistance	
50mΩ Max	
Insulation resistance	
DC 500V 100MΩ Min	
Dielectric strength	
AC 1500V 1 minute	
Cut-out	

	X	Y
	X	Y
0.75-1.25	30.2±0.1	11.2±0.1
1.25-2	30.4±0.1	11.2±0.1
2-3	30.6±0.1	11.2±0.1

FEATURES

- * MATERIAL: Frames are nylon (UL flame: 94V-2). Terminals are silver plated brass.
- * Illuminated actuators are molded in PC, available with red, amber and green colors.
- * Snap-in mounting, easy to install switch into panel.
- * The dimension of frame is 33.2*14, for shorter dimension of frame 31.5*14, please refer to page 1-33, item NO. R13-221.
- * SO terminal is not available for function H & I.

R13- [] - []

ROCKER	FUNCTION		TERMINAL
7 0 	A 	D 	0 1 .250" SQ 0 5 SO
9 1 	B 	F 	R13-91A-01 R13-70C-01 R13-91B-01 R13-70B-01
	B F 	H 	
	C 	I 	

* () = momentary

THE SPECIFICATIONS SUBJECT TO CHANGE WITHOUT NOTICE