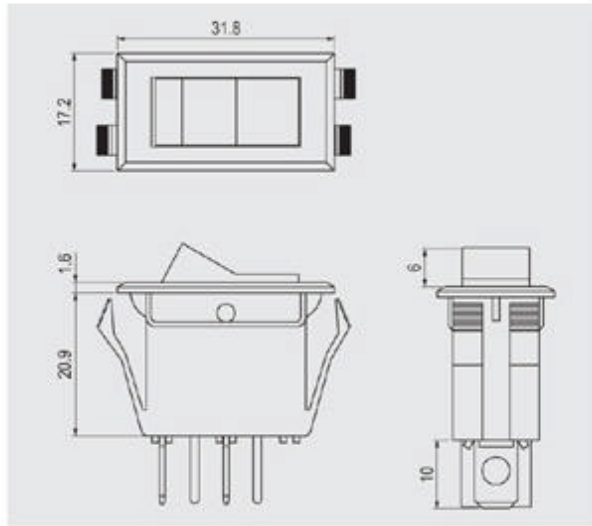


# R13-72



Rating		
15A 125V AC	1/8HP	125VAC
10A 250V AC	1/3HP	250VAC
Contact resistance		
50mΩ Max		
Insulation resistance		
DC 500V 100MΩ Min		
Dielectric strength		
AC 1500V 1 minute		
Cut-out		

	X	Y
0.75-1.25	26.6-0.1	14.0+0.1
1.25-2	26.8-0.1	14.0+0.1
2-3	29.2-0.1	14.0+0.1

## FEATURES

- \* MATERIAL: Frames are nylon (UL flame: 94V-2). Terminals are silver plated brass.
- \* Illuminated actuators are molded in PC, available with red, amber and green colors.
- \* Snap-in mounting, easy to install switch into panel.

## R13-72 - [ ] [ ]

FUNCTION		TERMINAL
<b>A</b>   ON OFF 2P SPST	<b>F</b>   (ON) OFF 2P SPST	0 1  .250" SQ
<b>B</b>   ON OFF 3P SPST (ILLUMINATED) 125V/AC 33KΩ / 250V/AC 150KΩ	<b>I</b>   (ON) OFF (ON) 3P SPDT	
<b>C</b>   ON ON 3P SPDT		
<b>D</b>   ON OFF ON 3P SPDT		

