







# MS-500シリーズ/SERIES

| 品番<br>PARTS No. | MS-500□<br>-B                                                                     | MS-500□<br>-BC                                                                    | MS-500□<br>-F                                                                     | MS-500□<br>-MF                                                                    | MS-500□<br>-B2                                                                    | MS-500□<br>-B-PC                                                                   | MS-500□<br>-B-RI                                                                    | MS-500□<br>-B-VT                                                                    |
|-----------------|-----------------------------------------------------------------------------------|-----------------------------------------------------------------------------------|-----------------------------------------------------------------------------------|-----------------------------------------------------------------------------------|-----------------------------------------------------------------------------------|------------------------------------------------------------------------------------|-------------------------------------------------------------------------------------|-------------------------------------------------------------------------------------|
| 回路<br>CIRCUITS  |  |  |  |  |  |  |  |  |
| SPST<br>(2P)    | ON-OFF K                                                                          | ON-OFF K                                                                          | ON-OFF K                                                                          | ON-OFF K                                                                          | ON-OFF K                                                                          | —                                                                                  | —                                                                                   | —                                                                                   |
| SPDT<br>(3P)    | ON-ON A                                                                           | ON-ON A                                                                           | ON-ON A                                                                           | ON-ON A                                                                           | ON-ON A                                                                           | ON-ON A                                                                            | ON-ON A                                                                             | ON-ON A                                                                             |
|                 | ON-(ON) B                                                                         | ON-(ON) B                                                                         | ON-(ON) B                                                                         | ON-(ON) B                                                                         | —                                                                                 | ON-(ON) B                                                                          | ON-(ON) B                                                                           | ON-(ON) B                                                                           |
|                 | ON-OFF-ON C                                                                       | ON-OFF-ON C                                                                       | ON-OFF-ON C                                                                       | ON-OFF-ON C                                                                       | ON-OFF-ON C                                                                       | ON-OFF-ON C                                                                        | ON-OFF-ON C                                                                         | ON-OFF-ON C                                                                         |
|                 | ON-OFF-(ON) D                                                                     | ON-OFF-(ON) D                                                                     | ON-OFF-(ON) D                                                                     | ON-OFF-(ON) D                                                                     | —                                                                                 | ON-OFF-(ON) D                                                                      | ON-OFF-(ON) D                                                                       | ON-OFF-(ON) D                                                                       |
|                 | (ON)-OFF-(ON) E                                                                   | (ON)-OFF-(ON) E                                                                   | (ON)-OFF-(ON) E                                                                   | (ON)-OFF-(ON) E                                                                   | —                                                                                 | (ON)-OFF-(ON) E                                                                    | (ON)-OFF-(ON) E                                                                     | (ON)-OFF-(ON) E                                                                     |
| DPDT<br>(6P)    | ON-ON F                                                                           | ON-ON F                                                                           | ON-ON F                                                                           | ON-ON F                                                                           | ON-ON F                                                                           | ON-ON F                                                                            | ON-ON F                                                                             | ON-ON F                                                                             |
|                 | ON-(ON) G                                                                         | ON-(ON) G                                                                         | ON-(ON) G                                                                         | ON-(ON) G                                                                         | —                                                                                 | ON-(ON) G                                                                          | ON-(ON) G                                                                           | ON-(ON) G                                                                           |
|                 | ON-OFF-ON H                                                                       | ON-OFF-ON H                                                                       | ON-OFF-ON H                                                                       | ON-OFF-ON H                                                                       | ON-OFF-ON H                                                                       | ON-OFF-ON H                                                                        | ON-OFF-ON H                                                                         | ON-OFF-ON H                                                                         |
|                 | ON-OFF-(ON) I                                                                     | ON-OFF-(ON) I                                                                     | ON-OFF-(ON) I                                                                     | ON-OFF-(ON) I                                                                     | —                                                                                 | ON-OFF-(ON) I                                                                      | ON-OFF-(ON) I                                                                       | ON-OFF-(ON) I                                                                       |
|                 | (ON)-OFF-(ON) J                                                                   | (ON)-OFF-(ON) J                                                                   | (ON)-OFF-(ON) J                                                                   | (ON)-OFF-(ON) J                                                                   | —                                                                                 | (ON)-OFF-(ON) J                                                                    | (ON)-OFF-(ON) J                                                                     | (ON)-OFF-(ON) J                                                                     |
| レバーカラー          | シルバー                                                                              | R(赤), K(黒), W(白)<br>Y(黄), U(青)                                                    | シルバー                                                                              | R(赤), K(黒), W(白)<br>Y(黄), U(青)                                                    | シルバー                                                                              | シルバー                                                                               | シルバー                                                                                | シルバー                                                                                |
| 端子形状            | 半田端子                                                                              | 半田端子                                                                              | 半田端子                                                                              | 半田端子                                                                              | 半田端子                                                                              | PC端子                                                                               | ライトアングル                                                                             | バーチカル                                                                               |
| COLOR           | Chrome Plated Brass                                                               | Red, Black, White<br>Yellow, Blue                                                 | Chrome Plated Brass                                                               | Red, Black, White<br>Yellow, Blue                                                 | Chrome Plated Brass                                                               | Chrome Plated Brass                                                                | Chrome Plated Brass                                                                 | Chrome Plated Brass                                                                 |
| TERMINALS       | Solder Terminal                                                                   | Solder Terminal                                                                   | Solder Terminal                                                                   | Solder Terminal                                                                   | Solder Terminal                                                                   | P.C. Terminal                                                                      | Right Angle Mounting                                                                | Vertical Mounting                                                                   |

# MS-500シリーズ/SERIES

## 受注生産/Order-received production

| 品番<br>PARTS No. | MS-500□<br>-LL-S                                                                    | MS-500□<br>-LL-P                                                                    | MS-500□<br>-B-PCB                                                                   | MS-500□<br>-B-PS                                                                    | MS-500□<br>-CL                                                                      | MS-500□<br>-L                                                                        | MS-500□<br>-ML                                                                        | MS-500□<br>-PL                                                                        |
|-----------------|-------------------------------------------------------------------------------------|-------------------------------------------------------------------------------------|-------------------------------------------------------------------------------------|-------------------------------------------------------------------------------------|-------------------------------------------------------------------------------------|--------------------------------------------------------------------------------------|---------------------------------------------------------------------------------------|---------------------------------------------------------------------------------------|
| 回路<br>CIRCUITS  |  |  |  |  |  |  |  |  |
| SPST<br>(2P)    | ON-OFF K                                                                            | ON-OFF K                                                                            | —                                                                                   | —                                                                                   | ON-OFF K                                                                            | ON-OFF K                                                                             | ON-OFF K                                                                              | ON-OFF K                                                                              |
| SPDT<br>(3P)    | ON-ON A                                                                             | ON-ON A                                                                             | ON-ON A                                                                             | ON-ON A                                                                             | ON-ON A                                                                             | ON-ON A                                                                              | ON-ON A                                                                               | ON-ON A                                                                               |
|                 | —                                                                                   | —                                                                                   | ON-(ON) B                                                                           | ON-(ON) B                                                                           | ON-(ON) B                                                                           | ON-(ON) B                                                                            | ON-(ON) B                                                                             | ON-(ON) B                                                                             |
|                 | ON-OFF-ON C                                                                         | ON-OFF-ON C                                                                         | ON-OFF-ON C                                                                         | ON-OFF-ON C                                                                         | ON-OFF-ON C                                                                         | ON-OFF-ON C                                                                          | ON-OFF-ON C                                                                           | ON-OFF-ON C                                                                           |
|                 | —                                                                                   | —                                                                                   | ON-OFF-(ON) D                                                                       | ON-OFF-(ON) D                                                                       | ON-OFF-(ON) D                                                                       | ON-OFF-(ON) D                                                                        | ON-OFF-(ON) D                                                                         | ON-OFF-(ON) D                                                                         |
|                 | —                                                                                   | —                                                                                   | (ON)-OFF-(ON) E                                                                     | (ON)-OFF-(ON) E                                                                     | (ON)-OFF-(ON) E                                                                     | (ON)-OFF-(ON) E                                                                      | (ON)-OFF-(ON) E                                                                       | (ON)-OFF-(ON) E                                                                       |
| DPDT<br>(6P)    | ON-ON F                                                                             | ON-ON F                                                                             | ON-ON F                                                                             | ON-ON F                                                                             | ON-ON F                                                                             | ON-ON F                                                                              | ON-ON F                                                                               | ON-ON F                                                                               |
|                 | —                                                                                   | —                                                                                   | ON-(ON) G                                                                           | ON-(ON) G                                                                           | ON-(ON) G                                                                           | ON-(ON) G                                                                            | ON-(ON) G                                                                             | ON-(ON) G                                                                             |
|                 | ON-OFF-ON H                                                                         | ON-OFF-ON H                                                                         | ON-OFF-ON H                                                                         | ON-OFF-ON H                                                                         | ON-OFF-ON H                                                                         | ON-OFF-ON H                                                                          | ON-OFF-ON H                                                                           | ON-OFF-ON H                                                                           |
|                 | —                                                                                   | —                                                                                   | ON-OFF-(ON) I                                                                       | ON-OFF-(ON) I                                                                       | ON-OFF-(ON) I                                                                       | ON-OFF-(ON) I                                                                        | ON-OFF-(ON) I                                                                         | ON-OFF-(ON) I                                                                         |
|                 | —                                                                                   | —                                                                                   | (ON)-OFF-(ON) J                                                                     | (ON)-OFF-(ON) J                                                                     | (ON)-OFF-(ON) J                                                                     | (ON)-OFF-(ON) J                                                                      | (ON)-OFF-(ON) J                                                                       | (ON)-OFF-(ON) J                                                                       |
| レバーカラー          | シルバー                                                                                | シルバー                                                                                | シルバー                                                                                | シルバー                                                                                | R(赤), K(黒), W(白)<br>Y(黄), U(青)                                                      | シルバー                                                                                 | R(赤), K(黒), W(白)<br>Y(黄), U(青)                                                        | R(赤), K(黒), W(白)<br>Y(黄), U(青)                                                        |
| 端子形状            | 半田端子                                                                                | PC端子                                                                                | PC端子                                                                                | 半田端子                                                                                | 半田端子                                                                                | 半田端子                                                                                 | 半田端子                                                                                  | 半田端子                                                                                  |
| COLOR           | Chrome Plated Brass                                                                 | Chrome Plated Brass                                                                 | Chrome Plated Brass                                                                 | Chrome Plated Brass                                                                 | Red, Black, White<br>Yellow, Blue                                                   | Chrome Plated Brass                                                                  | Red, Black, Cream                                                                     | Red, Black, White<br>Yellow, Blue                                                     |
| TERMINALS       | Solder Terminal                                                                     | P.C. Terminal                                                                       | P.C. Terminal                                                                       | Solder Terminal                                                                     | Solder Terminal                                                                     | Solder Terminal                                                                      | Solder Terminal                                                                       | Solder Terminal                                                                       |

# MS-500シリーズ / SERIES

ご注文の際は下記の例に準じてご用命下さい。

## ORDERING INFORMATION

MS-500 **A** - **MF** - **R**  
 1            2            3

| 1 | 回路<br>CIRCUIT | スイッチ特性<br>SWITCHING FUNCTION | レバー振れ角度<br>Lever Travel Angle |
|---|---------------|------------------------------|-------------------------------|
| K | SPST (2P)     | ON-OFF                       | 24°±4°                        |
| A | SPDT (3P)     | ON-ON                        |                               |
| B | SPDT (3P)     | ON-(ON)                      | 20°±4°                        |
| C | SPDT (3P)     | ON-OFF-ON                    | 12°±2°                        |
| D | SPDT (3P)     | ON-OFF-(ON)                  |                               |
| E | SPDT (3P)     | (ON)-OFF-(ON)                | 24°±4°                        |
| F | DPDT (6P)     | ON-ON                        |                               |
| G | DPDT (6P)     | ON-(ON)                      | 20°±4°                        |
| H | DPDT (6P)     | ON-OFF-ON                    | 12°±2°                        |
| I | DPDT (6P)     | ON-OFF-(ON)                  |                               |
| J | DPDT (6P)     | (ON)-OFF-(ON)                |                               |

注記/NOTE  
 ( ) = ノンロック/Momentary

| 2  | 操作形状              | Shape of Operation Part       |
|----|-------------------|-------------------------------|
| B  | バット状レバー           | Bat type Lever                |
| BC | バット状レバー (塩ビキャップ付) | Bat type Lever with Color Cap |
| F  | 金属フラットレバー         | Metal Flat Lever              |
| MF | モールドフラットレバー       | Mould Flat Color Lever        |
| PL | プラスチックキャップレバー     | Plastic Cap Color Lever       |
| CL | カラーチップ付レバー        | Lever with Color Tip Top      |
| L  | 金属ロングレバー          | Metal Long Lever              |
| LL | ロックレバー            | Metal Lock Lever              |
| ML | モールドロングレバー        | Mould Long Color Lever        |
| B2 | バット状ショートレバー       | Bat Type Short Lever          |

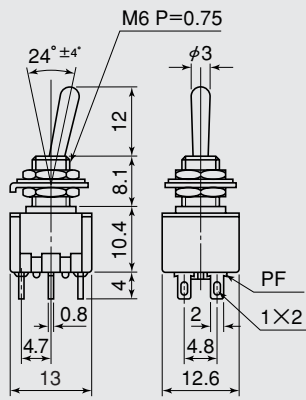
| 3   | 操作部色 又は端子形状     | Top Color or Shape of Terminal |
|-----|-----------------|--------------------------------|
| R   | 赤               | Red                            |
| K   | 黒               | Black                          |
| W   | 白               | White                          |
| Y   | 黄               | Yellow                         |
| U   | 青               | Blue                           |
| S   | 半田端子            | Solder Terminal                |
| P   | PC端子            | PC Terminal                    |
| PC  | PC端子            | PC Terminal                    |
| PCB | PC端子ブラケットマウント付き | PC Terminal With Bracket mount |
| RI  | ライトアングル         | Right Angle Mounting Terminal  |
| VT  | バーチカル           | Vertical Mounting Terminal     |
| PS  | 半田端子防滴スイッチ      | Splash Proof Type              |

| 電流容量       | 絶縁抵抗                        | 絶縁耐圧                                                                                                                           | 接触抵抗               |
|------------|-----------------------------|--------------------------------------------------------------------------------------------------------------------------------|--------------------|
| RATING     | INSULATION RESISTANCE       | VOLTAGE BREAKDOWN                                                                                                              | CONTACT RESISTANCE |
| 6A.125V.AC | DC.500V<br>100MΩ以上<br>(MIN) | 端子間<br>Between the terminals<br>AC.1000V1分間 (Minute)<br>充電部と非充電部<br>Between the terminals and actuator<br>AC.1500V1分間 (Minute) | 20mΩ以下<br>(MAX)    |

# MS-500シリーズ / SERIES

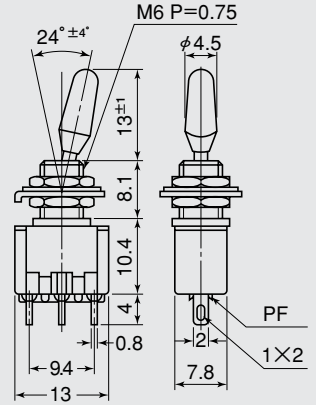
## 外形図 / Dimensions

MS-500□-B



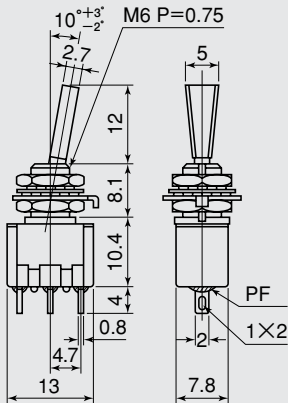
MS-500F-B

MS-500□-BC



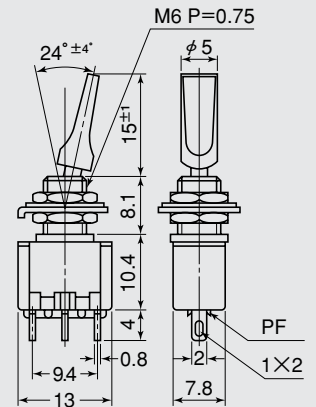
MS-500A-BC

MS-500□-F



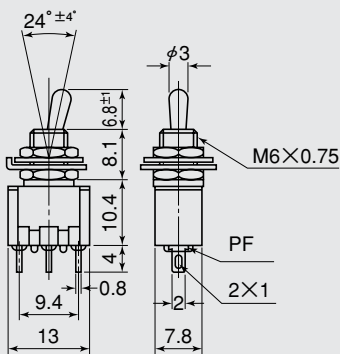
MS-500A-F

MS-500□-MF



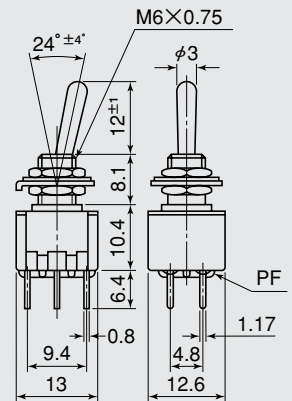
MS-500A-MF

MS-500□-B2



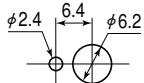
MS-500A-B2

MS-500□-B-PC



MS-500F-B-PC

取付穴参考寸法  
Mounting Hole



回路  
CIRCUIT

レバー振れ角度  
Lever Travel Angle

A

B

C・D・E

24°±4°

20°±4°

12°±2°

回路  
CIRCUIT

レバー振れ角度  
Lever Travel Angle

F

G

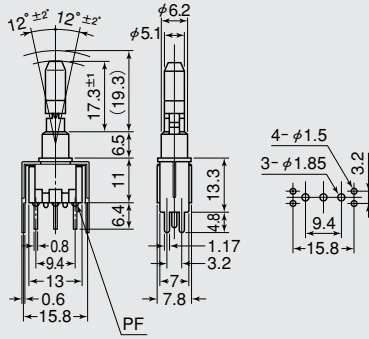
H・I・J

24°±4°

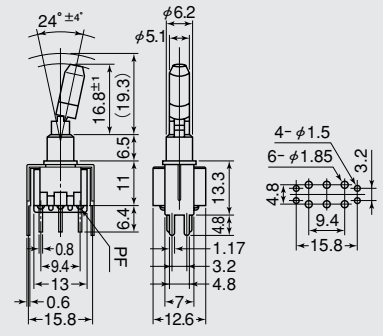
20°±4°

12°±2°

MS-500□-LL-P

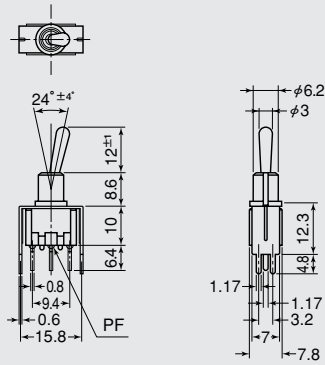


MS-500C-LL-P



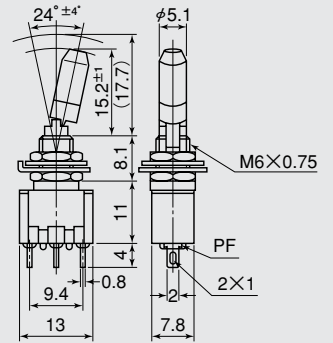
MS-500F-LL-P

MS-500□-B-PCB



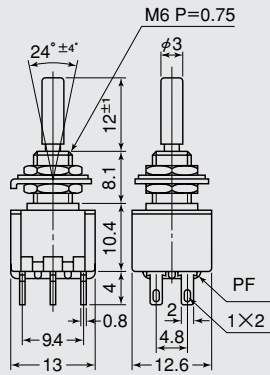
MS-500A-B-PCB

MS-500□-LL-S



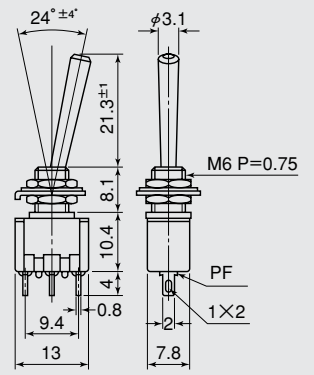
MS-500A-LL-S

MS-500□-CL



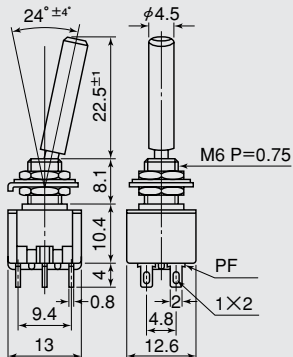
MS-500F-CL

MS-500□-L



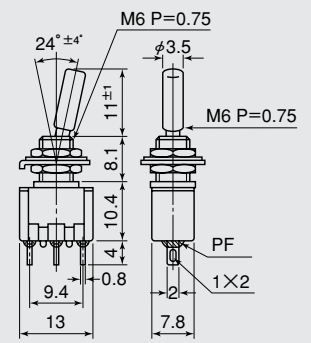
MS-500A-L

MS-500□-ML



MS-500F-ML

MS-500□-PL



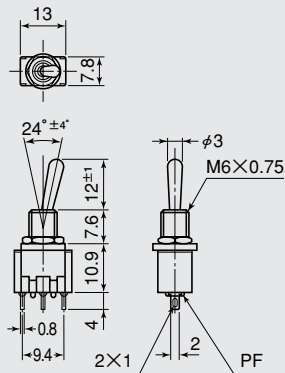
MS-500A-PL



# MS-500シリーズ / SERIES

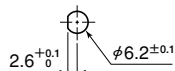
## 防滴タイプ / Splash Proof Type

MS-500□-B-PS

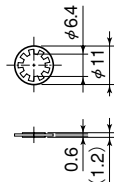


MS-500A-B-PS

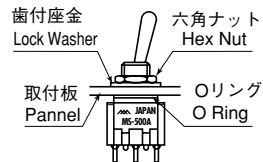
取付穴参考寸法  
Mounting Hole



取付板厚  
Panel Thickness



取付例  
Mounting Example



注 記：本製品はパネルシールを目的としたスイッチであり、水中で使用するものではありません。  
スイッチに水がかかった場合は、必ず水分を拭き取ってからご使用下さい。

NOTE : This switch is designed for sealing the panel and prevent a water leakage into the equipment,  
however not designed for the use in the water.

If the switch is covered with water, please be sure to wipe off the water before using.