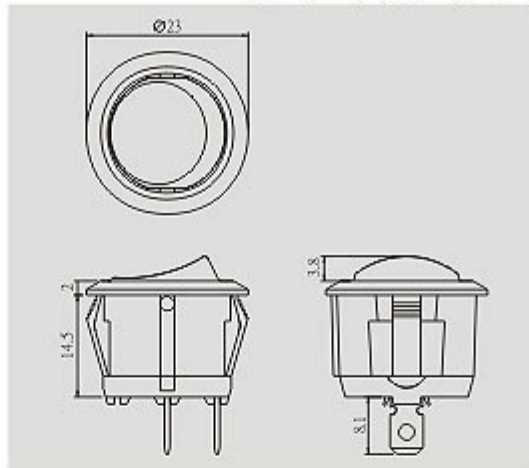


R13-112



Rating
16A 125V AC 10A 250V AC
Contact resistance
50mΩ Max
Insulation resistance
DC 500V 100MΩ Min
Dielectric strength
AC 1500V 1 minute
Cut-out

FEATURES

- * **MATERIAL:** Frames are nylon (UL flame: 94V-2). Terminals are silver plated brass.
- * Illuminated actuators are molded in PC, available with red, amber, and green colors.
- * Snap-in mounting, easy to install switch into panel.
- * Waterproof cover is optional., except LP & BP type.
- * The dimension of frame is 14.5mm, for shorter one, please refer to page.1-29 item no. R13-208.



- 3 mm max
- 2.5 mm max for A&B8W



R13-112 -

FUNCTION			TERMINAL
<p>A</p> <p>ON OFF 2P SPST</p>	<p>B 2 F</p> <p>(ON) OFF 3P SPST (ILLUMINATED) 125VAC 33KΩ / 250VAC 150KΩ</p>	<p>F</p> <p>(ON) OFF 2P SPST</p>	<p>0 2 .187" SQ</p>
<p>A 2</p> <p>ON OFF 2P SPST</p>	<p>B 8 W</p> <p>ON OFF 3P SPST (ILLUMINATED) 125VAC 33KΩ / 250VAC 150KΩ</p>	<p>G</p> <p>ON (ON) 3P SPDT</p>	
<p>A 5</p> <p>ON OFF 2P SPST (Gloss Finish)</p>	<p>B 9</p> <p>ON OFF 3P SPST (LED) LED Rating @10MA $V_f=1.85V$</p>	<p>H</p> <p>ON OFF (ON) 3P SPDT</p>	
<p>A 8</p> <p>ON OFF 2P SPST</p>	<p>B 9 F</p> <p>(ON) OFF 3P SPST (LED) LED Rating @10MA $V_f=1.85V$</p>	<p>I</p> <p>(ON) OFF (ON) 3P SPDT</p>	
<p>B</p> <p>ON OFF 3P SPST (ILLUMINATED) 125VAC 33KΩ / 250VAC 150KΩ</p>	<p>C</p> <p>ON ON 3P SPDT</p>	<p>L</p> <p>ON OFF 4P SPST (LED) LED Rating @10MA $V_f=1.85V$</p>	
<p>B F</p> <p>(ON) OFF 3P SPST (ILLUMINATED) 125VAC 33KΩ / 250VAC 150KΩ</p>	<p>C 8</p> <p>ON ON 3P SPDT</p>	<p>L F</p> <p>(ON) OFF 4P SPST (LED) LED Rating @10MA $V_f=1.85V$</p>	
<p>B P</p> <p>ON OFF 3P SPST (ILLUMINATED) 125VAC 33KΩ / 250VAC 150KΩ</p>	<p>D</p> <p>ON OFF ON 3P SPDT</p>	<p>L P</p> <p>ON OFF 4P SPST (LED) LED Rating @10MA $V_f=1.85V$</p>	
<p>B 2</p>	<p>E</p>	<p>* () =momentary</p>	