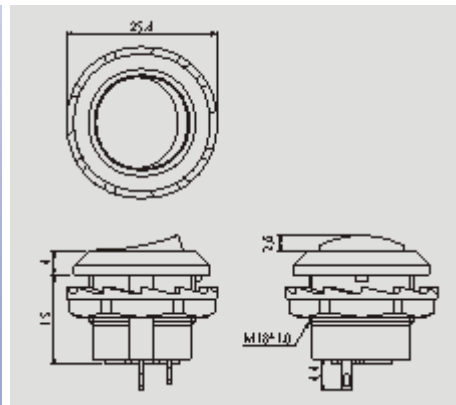


**R13-130**

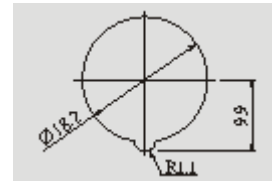


Rating  
 10A 125V AC  
 6A 250V AC  
 Contact resistance  
 50mΩ Max  
 Insulation resistance  
 DC 500V 100MΩ Min  
 Dielectric strength  
 AC 1500V 1 minute  
 Cut-out

[How to Order?](#)

**FEATURES**

- MATERIAL: Actuators are nylon (UL flame: 94V-2). Terminals are silver plated brass.
- Phenolic base.



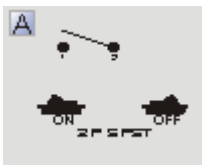
6 mm



R13-130

FUNCTION

TERMINAL



0 5 10 SO

