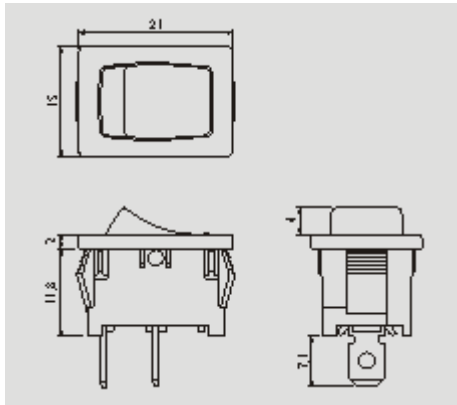


R13-66



Rating

- 16A 125VAC
- 1/3HP 125VAC
- 10A 250VAC
- 1/2HP 250VAC

Contact resistance
50mΩ Max

Insulation resistance
DC 500V 100MΩ Min

Dielectric strength
AC 1500V 1 minute

[How to Order?](#)

FEATURES

- MATERIAL: Frames are nylon (UL flame: 94V-2). Terminals are silver plated brass.
- Illuminated actuators are molded in PC, available with red, amber, and green colors.
- Snap-in mounting, easy to install switch into panel.
- Waterproof cover is optional.
- Dust resistant.



	X	Y
.2-0.	7.2-0.	.2-0.
	X	Y
0.75~1.25	19.2-0.1	13.0+0.1
1.25~2	19.4-0.1	13.0+0.1
2~3	19.8-0.1	13.0+0.1





Waterproof toggle

R13-66

FUNCTION				TERMINAL
A ON 2P SPST OFF	B 4 W ON 3P SPST (ILLUMINATED) OFF 125VAC 33kΩ / 250VAC 150kΩ	F ON 2P SPST OFF	L ON 4P SPST (LED) OFF LED Rating @10mA V _f =1.85V	0 2 .187" SQ
A 3 ON 2P SPST OFF	C ON 3P SPDT ON	G ON 3P SPDT (ON)		0 5 SO
B ON 3P SPST (ILLUMINATED) OFF 125VAC 33kΩ / 250VAC 150kΩ	D ON OFF ON 3P SPDT	H ON OFF (ON) 3P SPDT		0 9 PC
B 2 ON 3P SPST (ILLUMINATED) OFF 125VAC 33kΩ / 250VAC 150kΩ	E ON 2P SPST (OFF)	I (ON) OFF (ON) 3P SPDT		1 0 PC ANGLE
				1 2 SO

* () =momentary

