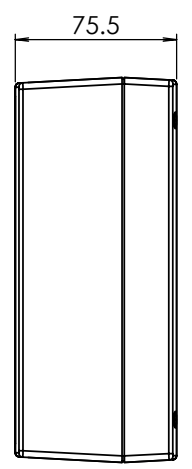
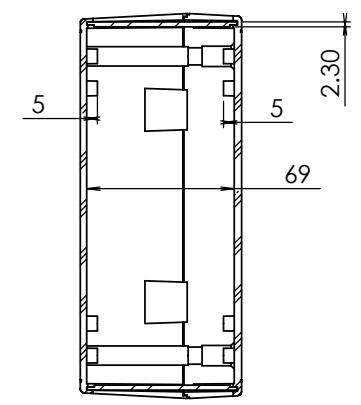


TOP view

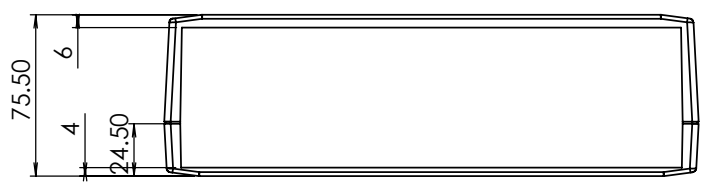
Interchangeable Insert  
Size: 215 x 165 mm.



RIGHT view

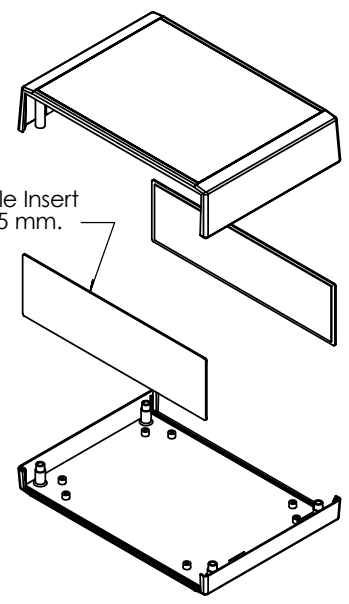


A-A section



FRONT view

Interchangeable Insert  
Size: 233.5 x 63.5 mm.

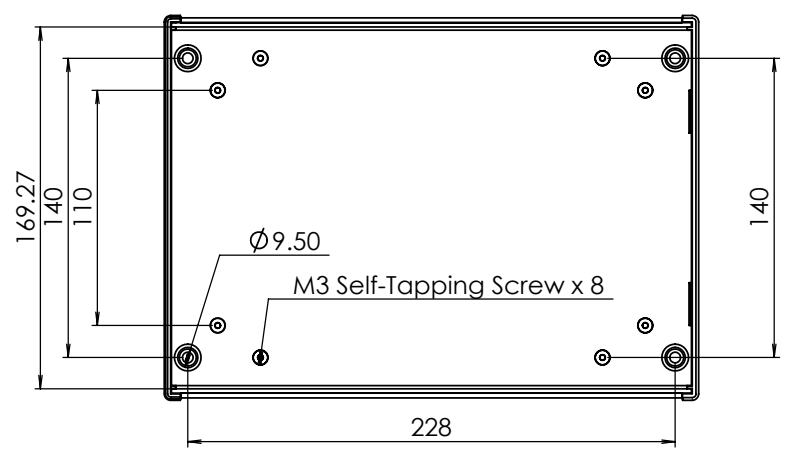


BLOW view

RM2095M Instrumental Enclosure  
Size: 250 x 180 x 75 mm.  
Material: ABS UL-94HB  
in Light Gray.

- Supply:
- 1, Fixing screws x 4 pcs.
  - 2, PCB mounting screw x 4 pcs.
  - 3, ABS Panel.

- Option:
- 1, IR Front Panel.
  - 2, AL Panels.
  - 3, FT - Feet Stand
  - 4, Insert: recessed 0.5mm for name plate.
  - 5, Insert: recessed 1.0mm for membrane SW.
  - 6, Cut-Out opening.



TOP view (BASE)

<p><b>沛承企業有限公司</b> 台北縣三重市光復路2段35號3樓 Tel: 02 - 2278 1611 Fax: 02 - 2278 1610</p>		設計 Rick	檢核	日期 1996, 5, 08	比例 1:1
		RM2095M Dimension Drawing			
250 x 180 x 75 mm				版本 V1.0	頁數 1/1