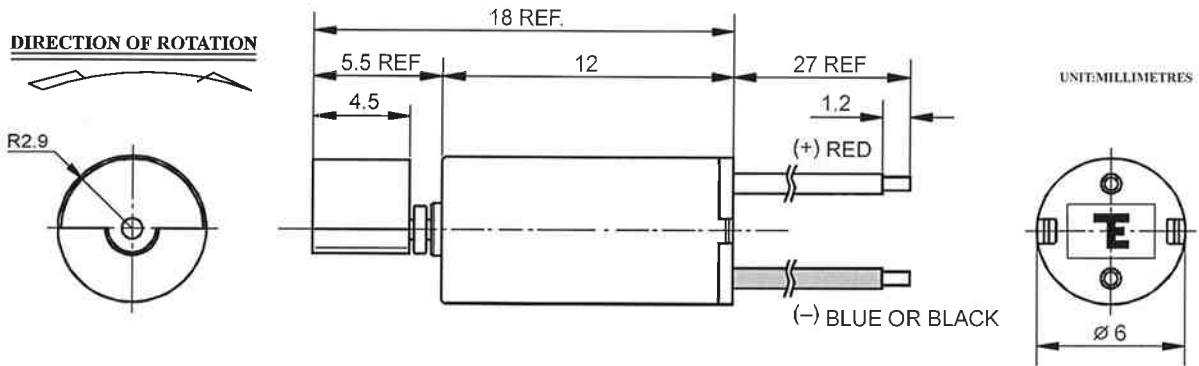


● **MODEL: T6C3 drawing**



ELECTRICAL CHARACTERISTICS

ITEM	SPECIFICATION
a. Rated Voltage	DC 3 V
b. Operation Voltage	DC 1.5~3.0V
c. No Load Current	100 mA (max)
d. No Load Speed	8000 rpm (min)
e. Rate Load Current	135mA (max)
f. Rate Load Speed	7000rpm (min)
g. Stall Torque	1.0g-cm (min)
h. Direction of rotation	CW (As seen from shaft side)
i. Operating Environment	1. Working temperature: -10°C and +50°C 2. Working humidity: 10%~90% RH
j. Storage Environment	1. Storage temperature: -40°C and +80°C 2. Storage humidity: 5%~90% RH (No condensation of moisture)