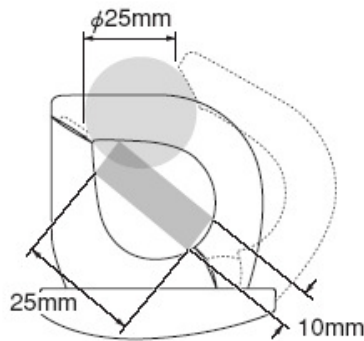


CE



(Backlight ON)

DCL20R (with carrying pouch)

RMS mini clamp meter with backlight

- True RMS
- Slim core for narrow space
- Backlight
- Marks to make sure the object is properly clamped
- Data hold
- Auto power off (30min.)

Sampling rate : 2 times / sec.

AC frequency bandwidth : 45~400Hz

Safety : IEC61010-1 (EN61010-1) 2001-02 CAT. III 300V Max. /
CAT. II 600V



Function	Measuring range	Best accuracy	Resolution
ACA	60/300A	± (1.9%+5)	0.01A
Bandwidth	45~400Hz		
Display	6000		
Clamp diameter/ Conductor size	25mm/10×25mm		
Withstand voltage	Less than 3700Vrms		
Battery	R03×2		
Size / Weight	H145×W54×D28mm/approx. 120g		
Standard accessories included	Carrying pouch (C-DCL10) , Instruction manual		