



■ Features :

- Universal AC input/Full range
- Low leakage current<0.5mA
- Protections: Short circuit / Overload / Over voltage
- Cooling by free air convection
- 100% full load burn-in test
- Fixed switching frequency at 65KHz
- 2 years warranty

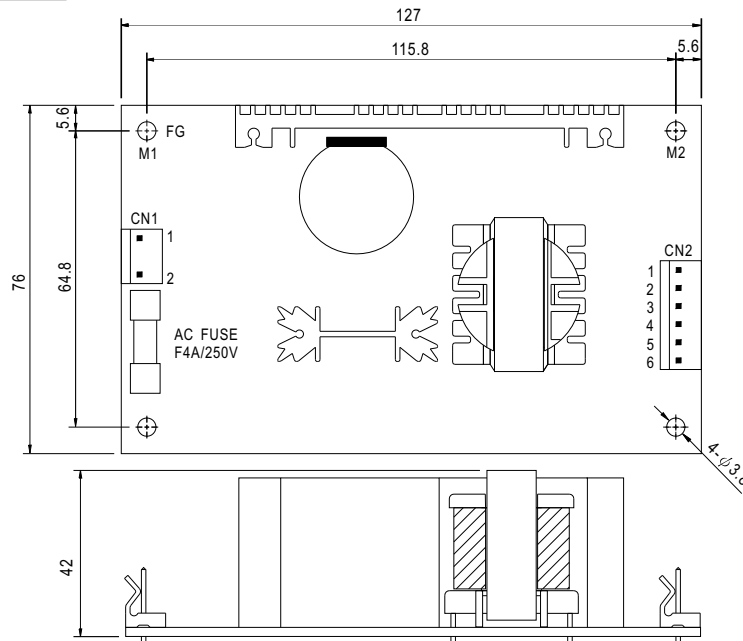


SPECIFICATION

| MODEL | | PT-65A | | | PT-65B | | | PT-65C | | | PT-65D | | |
|-----------------------|---|---|------------|----------|--------------|------------|----------|----------|------------|----------|---------------------------------|----------|------------|
| OUTPUT | OUTPUT NUMBER | CH1 | CH2 | CH3 | CH1 | CH2 | CH3 | CH1 | CH2 | CH3 | CH1 | CH2 | CH3 |
| | DC VOLTAGE | 5V | 12V | -5V | 5V | 12V | -12V | 5V | 15V | -15V | 5V | 12V | 24V |
| | RATED CURRENT | 5.5A | 2.5A | 0.5A | 5.5A | 2.5A | 0.5A | 5.5A | 2A | 0.5A | 4A | 2A | 1A |
| | CURRENT RANGE | 0.4 ~ 7A | 0.2 ~ 3.2A | 0 ~ 0.7A | 0.4 ~ 7A | 0.2 ~ 3.2A | 0 ~ 0.7A | 0.4 ~ 7A | 0.2 ~ 2.6A | 0 ~ 0.7A | 0.5 ~ 5A | 0.2 ~ 4A | 0.2 ~ 1.3A |
| | RATED POWER | 60W | | | 63.5W | | | 65W | | | 68W | | |
| | OUTPUT POWER (max.) | Rated output power for convection; 72W with 18CFM min. Forced air | | | | | | | | | | | |
| | RIPPLE & NOISE (max.) Note.2 | 50mVp-p | 120mVp-p | 50mVp-p | 50mVp-p | 120mVp-p | 100mVp-p | 50mVp-p | 120mVp-p | 100mVp-p | 50mVp-p | 100mVp-p | 200mVp-p |
| | VOLTAGE ADJ. RANGE | CH1:4.75 ~ 5.5V | | | | | | | | | | | |
| | VOLTAGE TOLERANCE Note.3 | ±4.0% | ±7.0% | ±5.0% | ±4.0% | ±7.0% | ±5.0% | ±4.0% | ±7.0% | ±5.0% | ±4.0% | ±6.0% | ±6.0% |
| | LINE REGULATION | ±1.0% | ±2.0% | ±1.0% | ±1.0% | ±2.0% | ±1.0% | ±1.0% | ±2.0% | ±1.0% | ±1.0% | ±2.0% | ±3.0% |
| | LOAD REGULATION | ±3.0% | ±4.0% | ±1.0% | ±3.0% | ±4.0% | ±1.0% | ±3.0% | ±4.0% | ±1.0% | ±2.0% | ±5.0% | ±5.0% |
| SETUP, RISE TIME | 800ms, 20ms at full load | | | | | | | | | | | | |
| HOLD UP TIME (Typ.) | 60ms at full load | | | | | | | | | | | | |
| INPUT | VOLTAGE RANGE | 90 ~ 264VAC | | | 127 ~ 370VDC | | | | | | | | |
| | FREQUENCY RANGE | 47 ~ 440Hz | | | | | | | | | | | |
| | EFFICIENCY(Typ.) | 76% | | | 77% | | | 77% | | | 79% | | |
| | AC CURRENT (Typ.) | 1.5A/115VAC | | | 0.9A/230VAC | | | | | | | | |
| | INRUSH CURRENT (Typ.) | COLD START 20A/115VAC | | | 40A/230VAC | | | | | | | | |
| | LEAKAGE CURRENT | <0.75mA | | | | | | | | | | | |
| PROTECTION | OVERLOAD | 73 ~ 95W rated output power | | | | | | | | | 74.8 ~ 98.6W rated output power | | |
| | | Protection type : Hiccup mode, recovers automatically after fault condition is removed. | | | | | | | | | | | |
| | OVER VOLTAGE | 5.75 ~ 6.75VDC on CH1 | | | | | | | | | | | |
| | | Protection type : Hiccup mode, recovers automatically after fault condition is removed. | | | | | | | | | | | |
| ENVIRONMENT | WORKING TEMP. | -10 ~ +60°C (Refer to output load derating curve) | | | | | | | | | | | |
| | WORKING HUMIDITY | 20 ~ 90% RH non-condensing | | | | | | | | | | | |
| | STORAGE TEMP., HUMIDITY | -20 ~ +85°C, 10 ~ 95% RH | | | | | | | | | | | |
| | TEMP. COEFFICIENT | ±0.04%/°C (0 ~ 50°C) on +5V output | | | | | | | | | | | |
| | VIBRATION | 10 ~ 500Hz, 2G 10min./1cycle, Period for 60min.each along X, Y, Z axes | | | | | | | | | | | |
| SAFETY & EMC (Note 4) | SAFETY STANDARDS | UL60950-1, TUV EN60950-1 Approved | | | | | | | | | | | |
| | WITHSTAND VOLTAGE | I/P-O/P:3KVAC I/P-FG:1.5KVAC O/P-FG:0.5KVAC 1min. | | | | | | | | | | | |
| | ISOLATION RESISTANCE | I/P-O/P, I/P-FG, O/P-FG:100M Ohms/500VDC | | | | | | | | | | | |
| | EMI CONDUCTION & RADIATION | Compliance to EN55022 (CISPR22) Class B | | | | | | | | | | | |
| | HARMONIC CURRENT | Compliance to EN61000-3-2,-3 | | | | | | | | | | | |
| | EMS IMMUNITY | Compliance to EN61000-4-2,3,4,5,6,8,11; ENV50204, EN55024, Light industry level, criteria A | | | | | | | | | | | |
| OTHERS | MTBF | 277.2K hrs min. MIL-HDBK-217F (25°C) | | | | | | | | | | | |
| | DIMENSION | 127*76*42mm (L*W*H) | | | | | | | | | | | |
| | PACKING | 0.25Kg; 54pcs/15.9Kg/1.35CUFT | | | | | | | | | | | |
| NOTE | <ol style="list-style-type: none"> 1. All parameters NOT specially mentioned are measured at 230VAC input, rated load and 25°C of ambient temperature. 2. Ripple & noise are measured at 20MHz of bandwidth by using a 12" twisted pair-wire terminated with a 0.1uf & 47uf parallel capacitor. 3. Tolerance : includes set up tolerance, line regulation and load regulation. 4. The power supply is considered a component which will be installed into a final equipment. The final equipment must be re-confirmed that it still meets EMC directives. 5. Mounting holes M1 and M2 should be grounded for EMI purposes. | | | | | | | | | | | | |

Mechanical Specification

Unit:mm



AC Input Connector (CN1) : Molex 5277-02 or equivalent

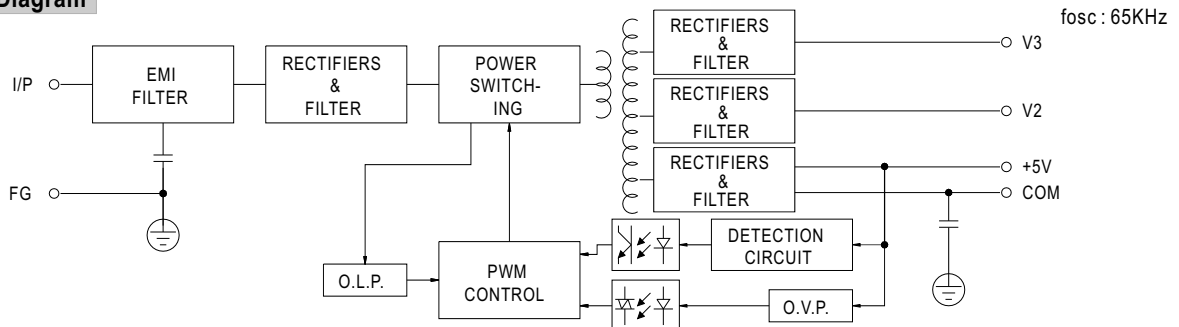
| Pin No. | Assignment | Mating Housing | Terminal |
|---------|------------|--------------------------|--------------------------|
| 1 | AC/N | Molex 5195 or equivalent | Molex 5194 or equivalent |
| 2 | AC/L | | |

DC Output Connector (CN2) : Molex 5273-06 or equivalent

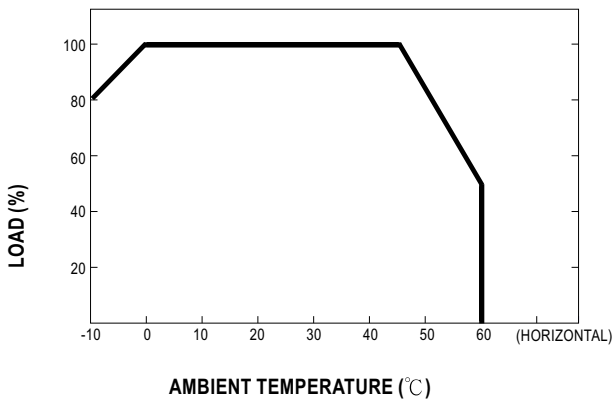
| Pin No. | Assignment | Mating Housing | Terminal |
|---------|------------|--------------------------|--------------------------|
| 1 | V2 | Molex 5195 or equivalent | Molex 5194 or equivalent |
| 2,3 | +5V | | |
| 4,5 | COM | | |
| 6 | V3 | | |

※PIN2:+5V PIN3,4,5:COM only for PT-65D

Block Diagram



Derating Curve



Static Characteristics (B)

